



SUNNY BOY SMART ENERGY

Approved batteries and information on connecting batteries

1 Validity

This document is valid for:

- SBSE3.6-50 (Sunny Boy Smart Energy 3.6)
- SBSE4.0-50 (Sunny Boy Smart Energy 4.0)
- SBSE5.0-50 (Sunny Boy Smart Energy 5.0)
- SBSE6.0-50 (Sunny Boy Smart Energy 6.0)

2 Approved Batteries

You can find the batteries approved by SMA Solar Technology AG in the SMA Energy Solution Home with the Sunny Boy Smart Energy in the following table.

i Firmware version of the battery

The firmware version of the SMA Home Storage can be accessed and updated via the inverter user interface. With BYD batteries, the firmware version can be viewed via the battery's user interface after successful commissioning. For BYD batteries, the firmware of the batteries is updated via the user interface of the battery (see manufacturer's manual).

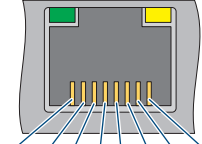
i Inverter firmware version

The firmware version of the inverter can be accessed via the user interface of the inverter.

Battery name (type) Manufacturer	Firmware version of the battery	Inverter firmware version
SMA Home Storage (3.2-13.1) SMA Solar Technology AG	BMS: $\geq 1.01.19.R$	$\geq 3.08.03.R$
Battery-Box Premium HVM (8.3-22.1) BYD Company Limited	BMU: ≥ 3.23 BMS: ≥ 3.28	$\geq 3.08.03.R$
Battery-Box Premium HVS (5.1-10.2) BYD Company Limited	BMU: ≥ 3.23 BMS: ≥ 3.28	$\geq 3.08.03.R$

3 Battery Communication Connection

3.1 Pin assignment of RJ45 plug connector for battery communication

RJ45 plug	Pin	Signal
	1	-
	2	EN_GND
	3	-
	4	CAN_H
	5	CAN_L
	6	-
	7	BAT_EN
	8	-

3.2 Battery Communication Cable Requirements

The cable length and quality affect the quality of the signal. Observe the following cable requirements:

- Cable type: 100BaseTx
- Cable category: minimum CAT5e
- Shielding: SF/UTP, S/UTP, SF/FTP or S/FTP
- Number of insulated conductor pairs and insulated conductor cross-section: at least 2 x 2 x 0.34 mm²
- Maximum cable length between 2 nodes when using patch and installation cables: 10 m
- UV-resistant if installed outdoors.

3.3 Cabling plan with Battery-Box Premium HVS/HVM

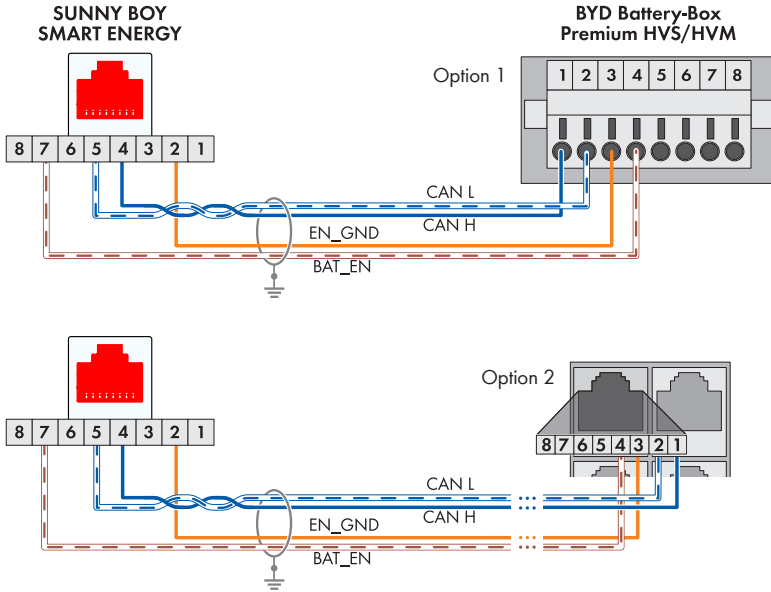


Figure 1: Cabling plan Sunny Boy Smart Energy with Battery-Box Premium HVS/HVM

Pin at the RJ45 connector on the inverter	Signal	Terminal point at battery
1	-	-
2	EN_GND	3
3	-	-
4	CAN_H	1
5	CAN_L	2
6	-	-
7	BAT_EN	4
8	-	-

3.4 Cabling plan with SMA Home Storage

To connect the Sunny Boy Smart Energy to the SMA Home Storage, you must use an RJ45 adapter for the plug connection. The adapter is included in the scope of delivery of the battery.

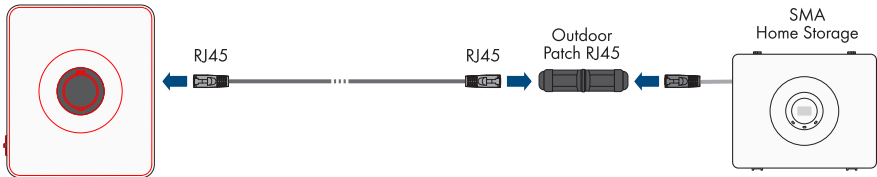


Figure 2: Cabling plan of Sunny Boy Smart Energy with SMA Home Storage

Also see:

- [Battery Communication Cable Requirements](#) ⇒ page 4



www.SMA-Solar.com

