

Universal Easy Solar Leg Bracket

- Adapt to multiple scenarios: metal roof, balcony, wall, flat roof etc.
- Completely pre-assembled, simply unfolded and secured for Installation.
- Adjustable angle manually to adjust the PV module angle for more energy generation.

Multiple scenarios



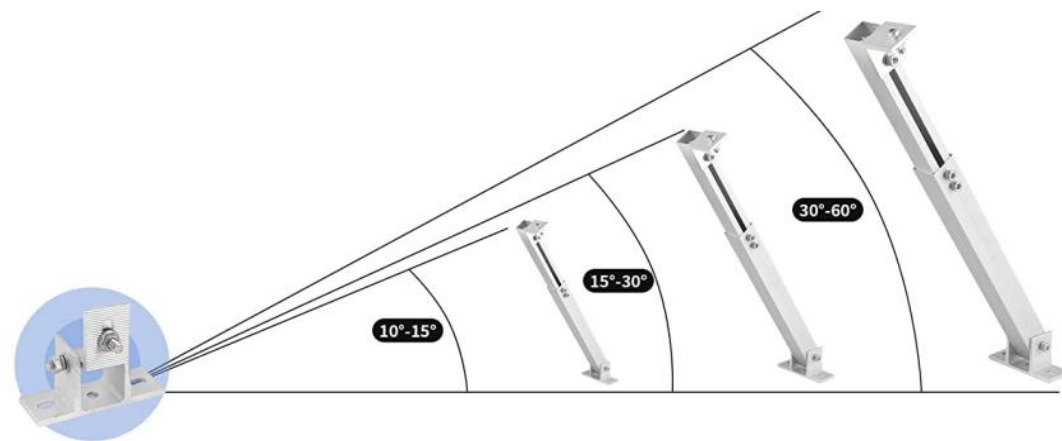
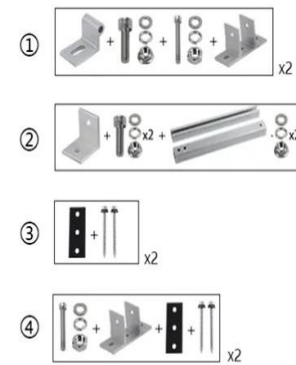
Balcony

Metal roof

Flat roof

Wall

▼ Adjustable length



Material: AL6005-T5, SUS304

Gross weight per bracket (kg): ≈2.3kg

Module orientation: vertical or horizontal installation

Applicable module: Framed

Warranty: 15 years

Adjustable angle range: 10~15°, 15~30°, 30~60°



Package

Retail packing, including Installation instruction



Black is also available

Related product set:

