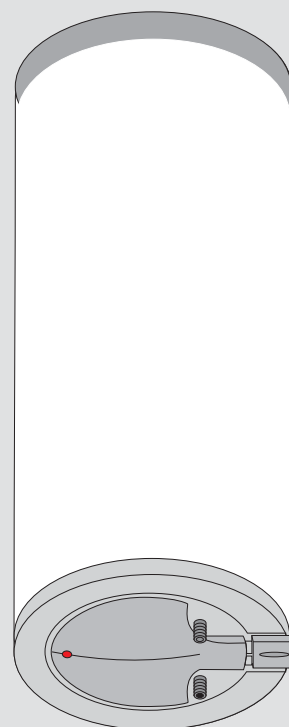
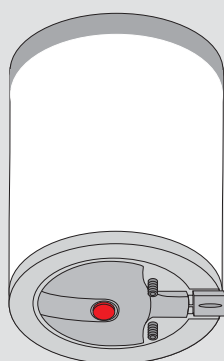


OPERATING AND INSTALLATION  
OBSŁUGA I INSTALACJA  
OBSLUHA A INSTALACE  
ЭКСПЛУАТАЦИЯ И МОНТАЖ  
ОБСЛУЖВАНЕ И ИНСТАЛИРАНЕ

UNVENTED (PRESSURIZED) WALLMOUNTED WATER HEATER | CIŚNIENIOWY, POJEMNOŚCIOWY  
OGRZEWACZ WODY | TLAKOVÉ ELEKTRICKÉ ZÁSOBNÍKY TEPLÉ VODY | Накопительный  
настенный водонагреватель закрытого типа | Обемен бойлер за монтаж на стена,  
работещ под налягане

- » PSH 30 SI
- » PSH 50 SI
- » PSH 80 SI
- » PSH 100 SI
- » PSH 120 SI
- » PSH 150 SI



**STIEBEL ELTRON**

### OPERATION

|   |   |
|---|---|
| 1. General information                  | 2 |
| 1.1 Key                                 | 2 |
| 2. Safety                               | 2 |
| 2.1 Correct use                         | 2 |
| 2.2 Safety instructions                 | 3 |
| 2.3 CE designation                      | 3 |
| 3. Appliance description                | 3 |
| 4. Operation                            | 3 |
| 4.1 Other relevant documents            | 3 |
| 4.2 Adjustment options                  | 3 |
| 4.3 Recommended settings                | 4 |
| 5. Cleaning, care and maintenance       | 4 |
| 6. What to do if ... ?                  | 4 |
| 7. Safety                               | 5 |
| 7.1 Country-specific safety information | 5 |
| 8. Appliance description                | 5 |
| 8.1 Standard delivery                   | 5 |
| 9. Installation                         | 5 |
| 9.1 Installation conditions             | 5 |

### INSTALLATION

|                                      |    |
|--------------------------------------|----|
| 10. Assembly                         | 6  |
| 10.1 Appliance assembly              | 6  |
| 10.2 Installation of accessories     | 7  |
| 11. Commissioning                    | 7  |
| 11.1 Checks before commissioning     | 7  |
| 11.2 Commissioning                   | 7  |
| 11.3 Taking the appliance out of use | 8  |
| 11.4 Restarting                      | 8  |
| 12. Appliance handover               | 8  |
| 13. Troubleshooting                  | 8  |
| 14. Maintenance                      | 8  |
| 14.1 Maintenance work                | 8  |
| 14.2 Wearing parts                   | 8  |
| 15. Specification                    | 9  |
| 15.1 Diagram with dimensions         | 9  |
| 15.2 Specification                   | 10 |

### GUARANTEE

### ENVIRONMENT AND RECYCLING

## 1. General information

The chapter **Operation** is intended for users and contractors.

The chapter **Installation** is intended for contractors.



**Please read carefully.**

Read these instructions carefully and retain for future reference. If the appliance is passed on to a third party please hand these instructions to the new user.

### 1.1 Key

#### 1.1.1 Symbols in these instructions:

In these instructions you will come across symbols and highlighted sections that are defined as follows:



**Risk of injury.**

Information concerning risk of injury.



**Danger to life through electrocution.**



**Risk of scalding.**



**Please note.**

Information concerning an actual risk. Damage to the appliance or environment may result. Material loss may also result.



**Please read carefully.**

Read the text next to these symbols carefully.

» Passages preceded by this symbol indicate procedures you must follow; these are described step-by-step.

– Passages preceded by this symbol indicate lists.

#### 1.1.2 Symbols on the appliance

Symbols are displayed on the appliance type plate. These are defined as follows:



**Disposal**

Appliances with this label are unsuitable for general domestic waste. Please dispose of these appliances separately.

## 2. Safety

### 2.1 Correct use

The appliance is exclusively designed for heating domestic hot water (DHW).

Any other use beyond that described shall be deemed inappropriate. It is not permissible to heat other liquids or materials.

Observation of these instructions is also part of the correct use of this appliance.

# OPERATION

## APPLIANCE DESCRIPTION

### 2.2 Safety instructions

Observe the following safety information and instructions.

All steps up to the commissioning of this appliance must only be carried out by qualified contractors.

The electrical installation and installation of the water connection must only be carried out by a qualified contractor or by our customer service engineers.

The contractor is responsible for adherence to all currently applicable regulations during installation and commissioning.

Operate this appliance only if it is fully installed and all safety equipment is fitted.



**Risk of scalding.**  
The hot water at the tap can reach a temperature of up to 65 °C (PSH 30-50 Si) / 62 °C (PSH 80-150 Si). There is a risk of scalding at outlet temperatures in excess of 43 °C. Small children should be kept away from the taps.



**Risk of injury!**  
Where children or persons with limited physical, sensory or mental capabilities are to be allowed to control this appliance, ensure that this will only happen under supervision or after appropriate instructions by a person responsible for their safety. Children should be supervised to ensure that they never play with the appliance.

### 2.3 CE designation

The CE designation shows that the appliance meets all essential requirements according to the:

- Electromagnetic Compatibility Directive
- Low Voltage Directive

The type plate is located at the bottom of the appliance.

## 3. Appliance description

The wall mounted DHW cylinder constantly maintains the DHW at the pre-selected temperature. The water is heated by the electrical heating element.

The appliance is preset at the factory to 65 °C (PSH 30-50 Si) / 62 °C (PSH 80-150 Si). For appliances of type PSH 80-150 Si, The temperature setting should only be made by a contractor.

The expansion water that collects as the water is heated up is drained off via the safety valve. The inner cylinder of the DHW cylinder is protected against corrosion by an enamel coating in conjunction with the integral protective magnesium anode.

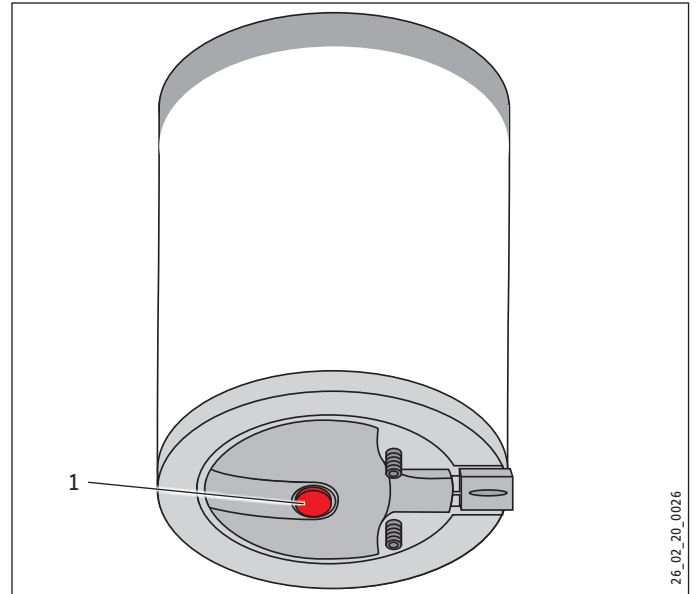
## 4. Operation

### 4.1 Other relevant documents

For operation, also observe the operating instructions of the relevant accessories and any appliance documentation.

### 4.2 Adjustment options

#### 4.2.1 Temperature adjustment PSH 30-50 Si

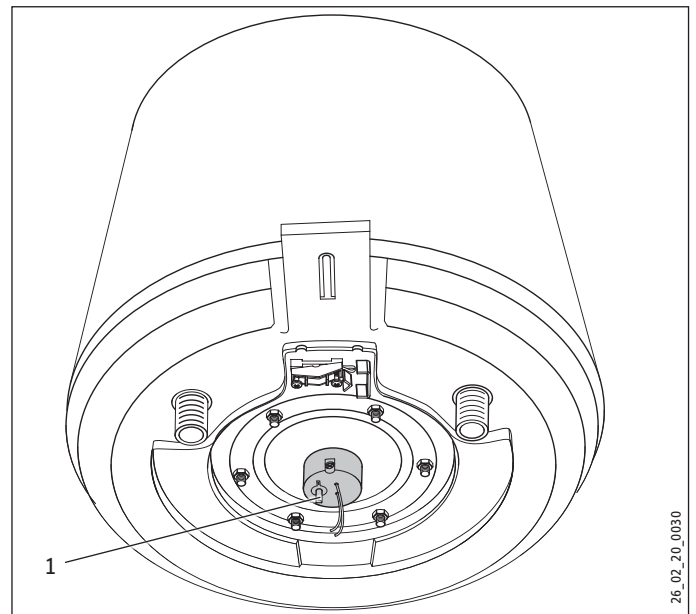


1 temperature selector (only for PSH 30-50 Si)

By turning the temperature selector, you can select the temperature of the water in the DHW cylinder. Turn it clockwise to raise the temperature, and anti-clockwise to lower the temperature.

As soon as the temperature of the water in the DHW cylinder drops below the set value, the heating element automatically switches on. The ON/OFF indicator illuminates until reheating is complete and the set temperature has been reached again.

#### 4.2.2 Temperature adjustment PSH 80-150 Si



1 temperature selector

The temperature set at the factory can be changed by a contractor. To do this, the temperature controller inside the appliance

# OPERATION

## CLEANING, CARE AND MAINTENANCE

must be turned to the required position (position 5 corresponds to approximately 62 °C).

### 4.3 Recommended settings

#### 4.3.1 Water temperature

The water temperature is continuously variable, and can be set subject to your requirements. The setting range extends from approx. 5 °C to approx. 65 °C (PSH 80-150 Si: 5 °C to 62 °C).

For low water consumption or very hard water, we recommend setting the cylinder to a low temperature, as water above approx. 55 °C deposits the limescale contained in it.

#### 4.3.2 Holiday and absence

During a prolonged period of absence, such as a holiday, you should set the appliance to frost protection or disconnect it from the power supply, in order to save energy. To do so, observe the details in the frost protection chapter.

#### 4.3.3 Sporadic use

For only sporadic use, such as in a weekend home, you should set the appliance to frost protection or disconnect it from the power supply when you are not there. For reasons of hygiene and health, you should heat up the content of the cylinder once to above 60 °C before initial usage.

#### 4.3.4 Frost protection

In the frost protection setting, the cylinder is protected against frost, but the safety valve and water lines in the apartment or house are not. If the appliance are disconnected from the power supply, the cylinder is not protected against frost. In such cases, if there is a risk of frost, the cylinder must be drained.

- » Close the cold water inlet.
- » Open a DHW draw-off point.
- » Open the drain valve or the drain valve on the safety valve, and fully drain the cylinder.



**Risk of scalding.**  
Hot water may emerge during draining.

## 5. Cleaning, care and maintenance

A damp cloth is sufficient for cleaning the casing. Do not use abrasive or corrosive cleaning agents.

- » Check the tap regularly. Remove limescale deposits at the tap outlets using commercially available descaling agents.
- » Regularly activate the safety valve to prevent it from becoming blocked by limescale deposits.
- » Check the safety valve is functioning correctly by pulling out or turning the rotary selector. When you do so, water will escape from the safety valve!

The drip water outlet of the safety valve must always remain open to atmosphere, and must never become narrower or blocked.

Route the drip water outlet to a drain free from the risk of frost, with a constant slope to ensure the unrestricted flow of the water to the drain.



**Have a contractor regularly check the appliance and safety valve.**



**Danger to life through electrocution!**  
Maintenance work, such as checking the electrical safety, must only be carried out by a qualified contractor.

To safeguard a long service life, we recommend having a contractor inspect the protective magnesium anode installed in the appliance after the first year of service. The contractor should determine further maintenance intervals. Annual maintenance intervals could be necessary in areas with particularly hard water.

## 6. What to do if ... ?

| Fault                        | Troubleshooting checks   |
|------------------------------|--|
| No hot water                 | Has the power supply (fuse or MCB) been interrupted? If so, reset the fuse or MCB and wait until the cylinder has heated up again. Notify your contractor if the fuse/MCB blows/trips again after you have reset it.   |
| No hot water                 | Is the temperature set high enough? Set the temperature slightly higher.   |
| No hot water                 | Is the ON/OFF indicator illuminated? When the ON/OFF indicator illuminates, the appliance heats the cylinder content. This can be necessary, for example because a large volume of water was previously drawn. Wait until the ON/OFF indicator extinguishes again. |
| No hot water                 | Is the ON/OFF indicator illuminated? If the ON/OFF indicator is not illuminated and all other causes have been checked, this can indicate that the high limit safety cut-out has responded. Notify your local contractor.  |
| Too little hot water         | Is the temperature set correctly? If all other possible sources of the fault have been eliminated, the appliance may have been sized too small. In this connection, also observe the maximum DHW draw-off volume, as specified in the "Specification" chapter.     |
| Low DHW outlet volume        | Are the draw-off points scaled up? Limescale on the draw-off points reduces the output volume. Descale and clean the outlet points. If this does not remedy the fault, inform your local contractor.   |
| The safety valve is dripping | This is normal during heat-up. If the safety valve continues to drip after heat-up is complete, inform your local contractor.  |

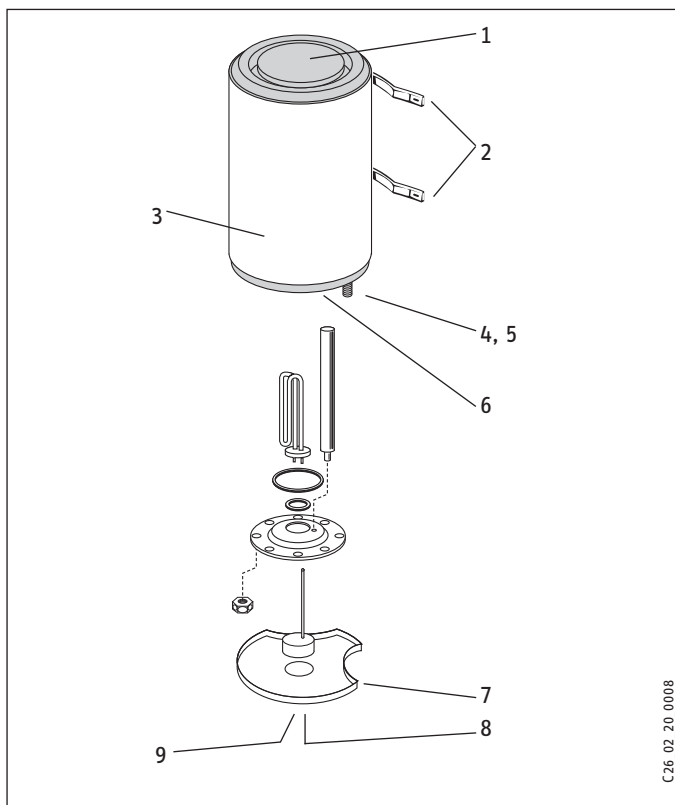
## 7. Safety

Use only original spare parts.

### 7.1 Country-specific safety information

Observe the country-specific instructions and regulations regarding the water and power connection.

## 8. Appliance description



- 1 Plastic top cap
- 2 Wall mounting brackets (on PSH 30 - 50 Si on top only)
- 3 Sheet steel casing, white paint finish
- 4 Cold water connection nozzle (blue)
- 5 Hot water connection nozzle (red)
- 6 Plastic bottom cap
- 7 Electric housing with electrical connection
- 8 Temperature selector (only PSH 30-50 Si)
- 9 ON/OFF indicator

The appliance is equipped with an enamelled steel cylinder, a flanged immersion heater with a copper tubular heating element and a protective anode.

- The appliance can supply several draw-off points.
- The water is heated in a pressurised inner cylinder.
- A protective magnesium anode protects the enamelled inner cylinder against corrosion.
- The thermal insulation is made of environmentally friendly and recyclable polyurethane foam.

### 8.1 Standard delivery

- Wall mounted cylinder with mounting bracket
- These operating and installation instructions

## 9. Installation

### 9.1 Installation conditions

The appliance is intended for installation in a room free from the risk of frost, near the main draw-off point. Installation outside a building is not permissible.

Observe the following specifications and information:

- The room must be free from the risk of frost, for example a bathroom or utility room.
- The wall on which the appliance will be mounted must be vertical and load-bearing. Take into account the weight of the appliance when filled with water.
- There should be a suitable drain near the appliance to drain off the expansion water.
- The power supply, cold water and DHW lines must be suitable for the installation of the appliance.

## 10. Assembly

### 10.1 Appliance assembly

#### 10.1.1 Appliance installation

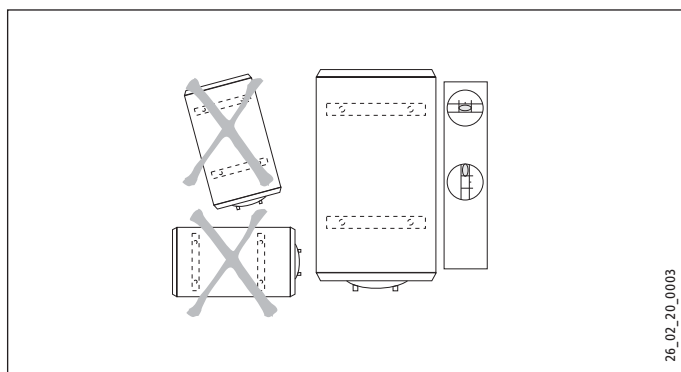
When installing the appliance, select securing materials to suit the stability of the wall.

For the position of the screws required for the installation, see the diagram in chapter „Specification“.



**When drilling, note that supply cables/water lines and ducts may run in the wall.**

- » Observe the dry weight of the appliance. Subject to the size of the appliance, two people may be needed to hook it onto the wall.
- » Align the cylinder vertically.



- » Tighten all screws/nuts.

#### 10.1.2 Water connection



**A safety valve must be fitted at the cold water inlet of the unit.**

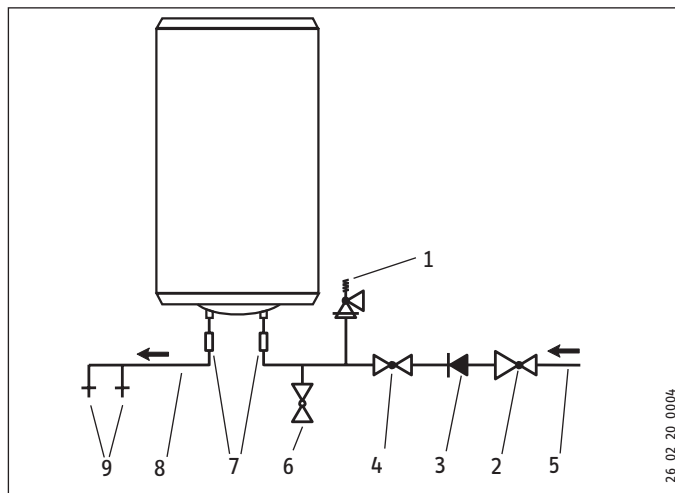
When making the water connection, observe these instructions and country-specific standards and regulations.



**If the water pressure is higher than 0.5 MPa (5 bar), install a pressure reducer in the cold water inlet.**

The water connection must be made as a sealed unvented system (pressurised) to supply several draw-off points. Thoroughly flush out the cold water line before connection to the cylinder, so that no contamination gets into the cylinder or safety valve.

- » Install the cylinder according to the following diagram.



- 1 Safety valve, 0.6 MPa (6 bar)
- 2 Pressure reducing valve (recommended for water pressure above 0.5 MPa (5 bar))
- 3 Non-return valve
- 4 Straight-through shut-off valve (butterfly)
- 5 Cold water supply
- 6 Drain valve
- 7 Connection insulator made of gunmetal or plastic for cold water and DHW
- 8 DHW supply
- 9 Draw-off points

Note for copper pipes: Never fit connections made of copper directly to the appliance. We recommend gunmetal or plastic adaptors as connection insulators for the pipe connections.

- » Set the flow rate on the straight-through shut-off valve to a maximum of 18 l/min.

#### 10.1.3 Safety valve

During heating, the DHW in the cylinder expands and causes positive pressure in the DHW cylinder. The safety valve protects the cylinder against excessively high pressure.



**Risk of damage**  
Install the cylinder with a type-tested diaphragm expansion valve, to be integrated in the cold water line. Observe the documentation supplied with the safety valve, particularly the safety and operating instructions.

- » Regularly activate the safety valve to prevent it from becoming blocked by limescale deposits.



**The drip water outlet of the safety valve must always remain open to atmosphere, and must never become narrower. The drain must be free from the risk of frost and have a steady slope.**

- » Check the safety valve functions correctly.
- » Show the user the safety valve and its operating instructions, and explain its significance.

# INSTALLATION COMMISSIONING

## 10.1.4 Plastic pipework

The wall mounted cylinder is suitable for connection to plastic pipework. Should faults develop, temperatures up to 95 °C (max. 0.6 MPa) can occur. Any plastic pipework used must be suitable for such conditions.

## 10.1.5 Power connection

When making the electrical connection, observe these instructions as well as the standards and regulations applicable in the country of installation.

In the Federal Republic of Germany, these are the „Regulations for installing HV systems with rated voltages up to 1000 V“, the regulations of the local power supply utility, and VDE 0100.

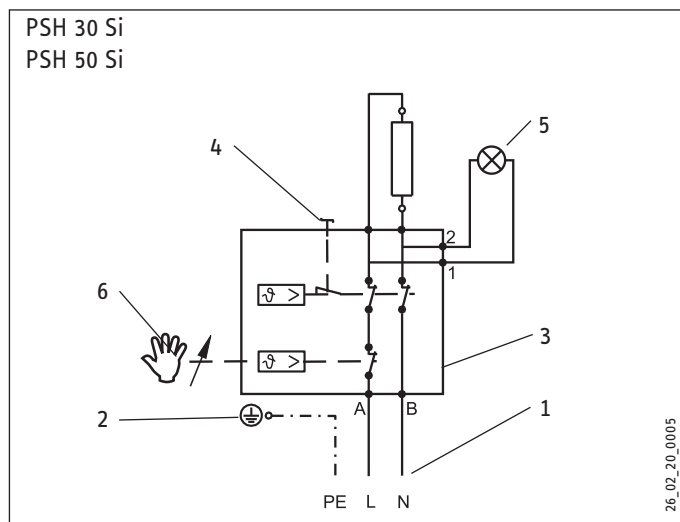
An isolator that disconnects all poles of the power cable with at least 3 mm contact separation must be installed on site. Fuses or switches can be used for this, for example.

The wall mounted cylinder is only designed for permanent connection to the power supply.

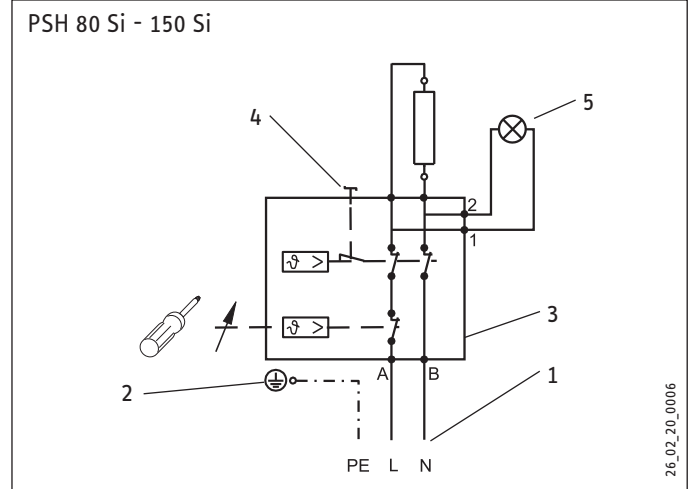
Only PSH 30-50 Si: The wall mounted cylinder is supplied with a flexible connecting cable prepared with wire ferrules, of approx. 0.95 m in length.

If the cable is of insufficient length, unclamp from the appliance and remove. Use a suitable installation cable (3 x 1.5 mm<sup>2</sup>).

When routing the new connecting cable, ensure that it is waterproof as it passes through the existing cable entry, and is correctly routed and connected inside the appliance.



- 1 Power supply
- 2 Earth conductor
- 3 High limit safety cut-out/ temperature controller combination
- 4 Tubular heating element plug-in connection
- 5 Lamp „Heating“ (ON/OFF indicator)
- 6 Temperature selector



- 1 Mains connection
- 2 Protective earth connection
- 3 High limit safety cut-out/thermostat combination
- 4 Plug connection-tubular heating element
- 5 Lamp „Heating“ (ON/OFF indicator)

## 10.2 Installation of accessories

Install accessories according to the documentation supplied with them.

## 11. Commissioning

The contractor must carry out and monitor commissioning and the initial heat-up. Subject to appliance size and set temperature, this can take several hours.

### 11.1 Checks before commissioning

- » Check that the cylinder is mounted vertically.
- » Ensure that the power supply is disconnected.
- » Check whether the water connection is correct and was made with the safety valve.
- » Ensure that the temperature selector is turned as far to the left as possible.

### 11.2 Commissioning

- » Open the cold water inlet.
- » Open a DHW draw-off point.
- » Fill the cylinder until no more air escapes from the draw-off point, only water.
- » Close the draw-off point again.
- » Switch the mains power ON.
- » Turn the temperature selector clockwise as far as it will go. Monitor the initial heat-up of the cylinder. The ON/OFF indicator illuminates during heat-up. Wait until it extinguishes again.
- » Check the system and all components for leaks.
- » Check the safety valve and drip water outlet.
- » Set the temperature selector to a DHW temperature that will suit the occupants.

# INSTALLATION

## APPLIANCE HANDOVER

### 11.3 Taking the appliance out of use

If you ever want to take the appliance out of use, carry out the following steps:

- » Isolate the appliance from the power supply.
- » Close the cold water inlet.
- » Drain the appliance.

The appliance can only be drained via the safety valve or via a drain valve.

- » Fully open the DHW valves on all draw-off points.
- » Open safety valve or drain valve.



**Risk of scalding.**  
Hot water may emerge during draining.

### 11.4 Restarting

- » Open the cold water inlet.
- » Open a DHW draw-off point.
- » Fill the cylinder until no more air escapes from the draw-off point, only water.
- » Close the draw-off point again.
- » Switch the mains power ON.

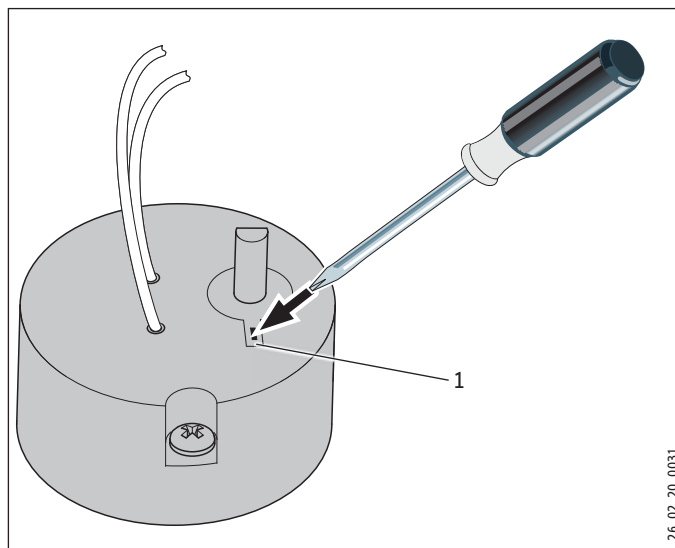
## 12. Appliance handover

Explain to the user how the appliance works, and hand over these operating instructions.

## 13. Troubleshooting

In addition to the test steps in the „What to do if ... ?“ chapter, check the following:

| Fault   | Remedy   |
|---|--|
| Too little DHW  | Is the immersion heater scaled up? Descale it if required.   |
| Little or no DHW  | Check the controller and heating elements, and replace if required.  |
| No hot water. The high limit safety cut-out has responded because of overheating.                           | Investigate the cause of the fault. If there does not seem to be a cause, you can reset the high limit safety cut-out. To do so, press the reset button with a screwdriver, as shown below. If there are no problems with the heating element, but the high limit safety cut-out continues to respond, replace the controller/limiter combination. |
| No hot water. The high limit safety cut-out has responded because the temperature has dropped below -15 °C. | Press the high limit safety cut-out reset button.  |
| No hot water. The flanged immersion heater is faulty.   | Replace the flanged immersion heater.  |



1 High limit safety cut-out reset button

## 14. Maintenance

### 14.1 Maintenance work

- » Check the safety valve and drip water outlet line.
- » Check the protective magnesium anode and replace if required.
- » Remove loose scale deposits from the cylinder.
- » If necessary, descale the inner cylinder with commercially available descaling agents.

Do not descale the appliance until you have removed the flanged immersion heater. Never treat the cylinder surface with descaling agents.

- » Check the electrical connection, particularly the earth connection.

### 14.2 Wearing parts

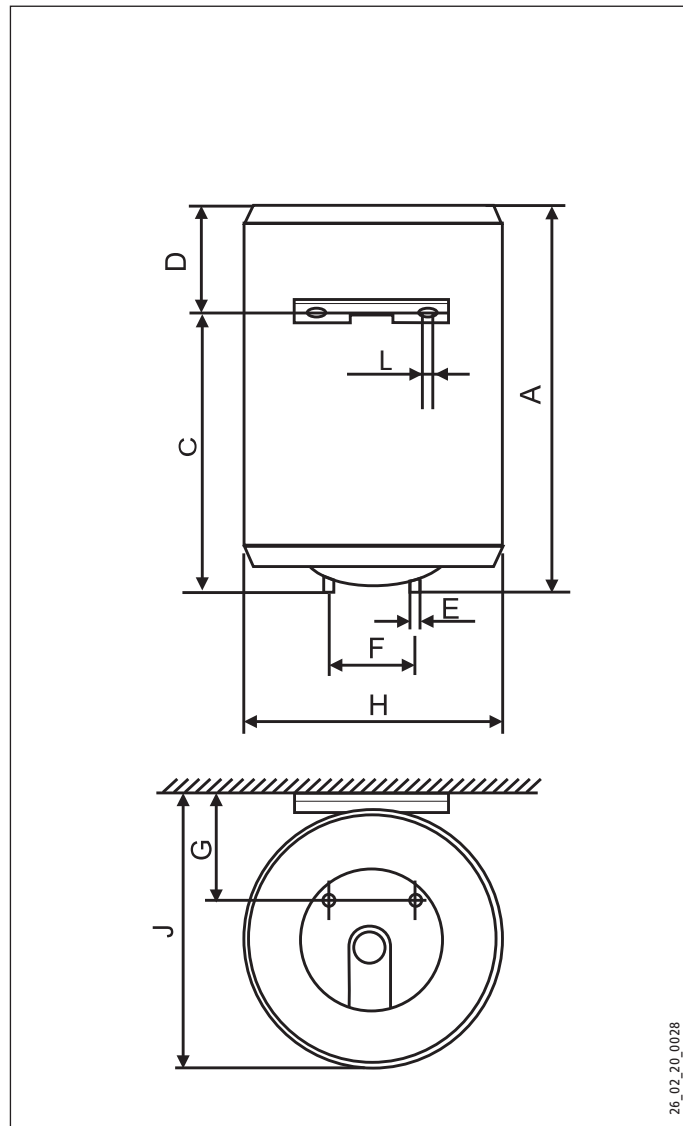
Replace the protective magnesium anode if it has dissolved. Use only original spare parts.



## 15. Specification

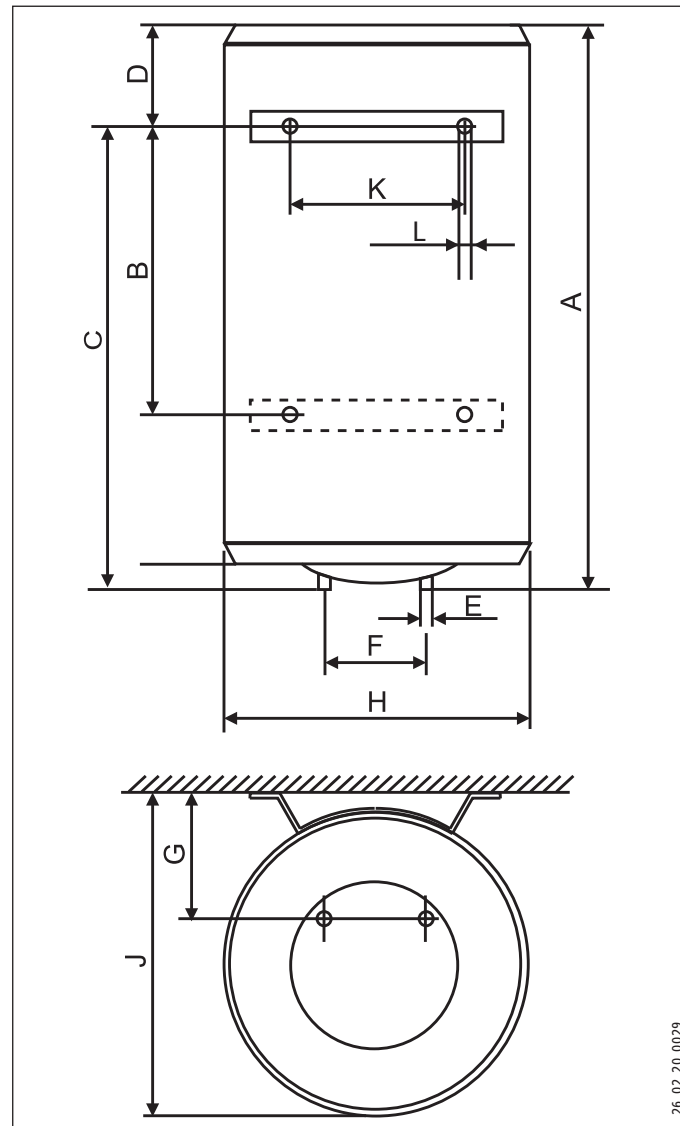
### 15.1 Diagram with dimensions

PSH 30-50 SI:



26\_02\_20\_0028

PSH 80-150 SI:



26\_02\_20\_0029

| Dimensions |    | PSH 30 Si | PSH 50 Si | PSH 80 Si | PSH 100 Si | PSH 120 Si | PSH 150 Si |
|------------|----|-----------|-----------|-----------|------------|------------|------------|
| A          | mm | 623       | 918       | 737       | 908        | 1046       | 1241       |
| B          | mm |           |           |           |            | 498        | 798        |
| C          | mm | 463       | 750       | 570       | 748        | 748        | 1048       |
| D          | mm | 160       | 168       | 120       | 113        | 251        | 146        |
| E          |    | 1/2"      | 1/2"      | 3/4"      | 3/4"       | 3/4"       | 3/4"       |
| F          | mm | 100       | 100       | 230       | 230        | 230        | 230        |
| G          | mm | 81        | 81        | 165       | 165        | 165        | 165        |
| H          | mm | 338       | 338       | 505       | 505        | 505        | 505        |
| J          | mm | 345       | 345       | 520       | 520        | 520        | 520        |
| K          | mm | 184       | 184       | 440       | 440        | 440        | 440        |
| L          | mm | 8         | 8         | 8         | 8          | 8          | 8          |

# INSTALLATION SPECIFICATION

## 15.2 Specification

| Model                             |       | Wall mounted DHW cylinder |           |           |            |            |            |
|-----------------------------------|-------|---------------------------|-----------|-----------|------------|------------|------------|
| Type                              |       | PSH 30 Si                 | PSH 50 Si | PSH 80 Si | PSH 100 Si | PSH 120 Si | PSH 150 Si |
| Part no.                          |       | 074478                    | 074479    | 074480    | 074481     | 074482     | 074483     |
| Voltage                           |       | ~ 230 V                   |           |           |            |            |            |
| Power rating                      | W     | 2000                      | 2000      | 2200      | 2200       | 2200       | 2200       |
| Rated capacity                    | l     | 30                        | 50        | 80        | 100        | 120        | 150        |
| Adjustable temperature range      | °C    | 5 - 65                    | 5 - 65    | 5 - 62    | 5 - 62     | 5 - 62     | 5 - 62     |
| Standby power consumption (65 °C) | kWh/d | 0.76                      | 1.13      | 1.05      | 1.25       | 1.35       | 1.65       |
| Heat-up time <sup>1)</sup>        | min   | 57                        | 96        | 130       | 175        | 210        | 270        |
| Permissible operating pressure    | MPa   | 0.6                       |           |           |            |            |            |
| Protection level                  |       | IP 25                     |           |           |            |            |            |
| Test symbols                      |       | see type plate            |           |           |            |            |            |
| Dimensions and weights            |       |                           |           |           |            |            |            |
| Weight (dry)                      | kg    | 14                        | 17        | 26        | 31         | 34         | 40         |
| Height                            | mm    | 623                       | 918       | 737       | 908        | 1046       | 1241       |
| Width                             | mm    | 338                       | 338       | 505       | 505        | 505        | 505        |
| Depth                             | mm    | 345                       | 345       | 520       | 520        | 520        | 520        |

<sup>1)</sup> Cold water inlet temperature 15 °C and cylinder temperature 65 °C

### Guarantee

For guarantees please refer to the respective terms and conditions of supply for your country.



**The installation, electrical connection and first operation of this appliance should be carried out by a qualified installer.**



**The company does not accept liability for failure of any goods supplied which have not been installed and operated in accordance with the manufacturer's instructions.**

### Environment and recycling

Please help us to protect the environment by disposing of the packaging in accordance with the national regulations for waste processing.

### OBSŁUGA

|          |                                     |           |
|----------|-------------------------------------|-----------|
| <b>1</b> | <b>Wskazówki ogólne</b>             | <b>12</b> |
| 1.1      | Objaśnienie symboli                 | 12        |
| <b>2</b> | <b>Bezpieczeństwo</b>               | <b>12</b> |
| 2.1      | Użytkowanie zgodne z przeznaczeniem | 12        |
| 2.2      | Wskazówki dotyczące bezpieczeństwa  | 13        |
| 2.3      | Oznaczenie CE                       | 13        |
| <b>3</b> | <b>Opis urządzenia</b>              | <b>13</b> |
| <b>4</b> | <b>Obsługa</b>                      | <b>13</b> |
| 4.1      | Obowiązujące dokumenty              | 13        |
| 4.2      | Możliwości ustawienia               | 13        |
| 4.3      | Zalecane ustawienia                 | 14        |
| <b>5</b> | <b>Czyszczenie i konserwacja</b>    | <b>14</b> |
| <b>6</b> | <b>Co robić, gdy ... ?</b>          | <b>14</b> |

### INSTALACJA

|           |  |           |
|-----------|--|-----------|
| <b>7</b>  | <b>Bezpieczeństwo</b>                      | <b>15</b> |
| 7.1       | Krajowe wskazówki dotyczące bezpieczeństwa | 15        |
| <b>8</b>  | <b>Opis urządzenia</b>                     | <b>15</b> |
| 8.1       | Zakres dostawy                             | 15        |
| <b>9</b>  | <b>Instalacja</b>                          | <b>15</b> |
| 9.1       | Warunki ustawienia                         | 15        |
| <b>10</b> | <b>Montaż</b>                              | <b>15</b> |
| 10.1      | Montaż urządzenia                          | 15        |
| 10.2      | Montaż akcesoriów                          | 17        |
| <b>11</b> | <b>Uruchomienie</b>                        | <b>17</b> |
| 11.1      | Kontrole przed uruchomieniem               | 17        |
| 11.2      | Pierwsze uruchomienie                      | 17        |
| 11.3      | Wyłączanie urządzenia                      | 17        |
| 11.4      | Ponowne uruchomienie                       | 17        |
| <b>12</b> | <b>Przekazanie urządzenia</b>              | <b>18</b> |
| <b>13</b> | <b>Usuwanie usterek</b>                    | <b>18</b> |
| <b>14</b> | <b>Konserwacja</b>                         | <b>18</b> |
| 14.1      | Prace konserwacyjne                        | 18        |
| 14.2      | Elementy podlegające zużyciu               | 18        |
| <b>15</b> | <b>Dane techniczne</b>                     | <b>19</b> |
| 15.1      | Wymiary urządzenia                         | 19        |
| 15.2      | Rysunek wymiarowy                          | 20        |

### GWARANCJA

### ŚRODOWISKO NATURALNE I PRZETWARZANIE

## 1 Wskazówki ogólne

Rozdział **Obsługa** przeznaczony jest dla użytkowników i specjalistów.

Rozdział **Instalacja** przeznaczony jest wyłącznie dla specjalistów.



#### Przeczytać!

Dokładnie zapoznać się z niniejszą instrukcją i zachować ją do późniejszego wykorzystania. W przypadku przekazania urządzenia osobom trzecim, niniejszą instrukcję należy również dołączyć.

### 1.1 Objasnienie symboli

#### 1.1.1 Symbole użyte w dokumentacji:

W niniejszej dokumentacji użyte zostały różne symbole i wyróżnienia. Mają one następujące znaczenie:



#### Ryzyko odniesienia obrażeń!

Wskazuje na ryzyko odniesienia obrażeń!



#### Zagrożenie życia przez porażenie prądem!



#### Ryzyko poparzenia!



#### Uwaga!

Wskazanie występującego zagrożenia. Istnieje możliwość wystąpienia uszkodzenia urządzenia lub bezpośrednich szkód dla środowiska. Istnieje również ryzyko wystąpienia szkód materialnych.



#### Przeczytać!

Dokładnie przeczytać tekst znajdujący się obok tego symbolu.

» Fragmenty tekstu oznaczone tym znakiem wskazują na wymagane działania, które zostały opisane krok po kroku.

– Fragmenty oznaczone tym znakiem stanowią wyliczenia.

#### 1.1.2 Symbole na urządzeniu

Na tabliczce znamionowej urządzenia znajdują się różne symbole. Mają one następujące znaczenie:



#### Utylizacja!

Urządzenia oznaczone tym symbolem nie są standardowymi odpadami gospodarczymi. Należy je utylizować osobno.

## 2 Bezpieczeństwo

### 2.1 Użytkowanie zgodne z przeznaczeniem

Urządzenie przeznaczone jest wyłącznie do podgrzewania wody pitnej.

Inne zastosowanie lub użycie wykraczające poza obowiązujące ustalenia traktowane jest jako niezgodne z przeznaczeniem. Zabronione jest ogrzewanie innych cieczy i materiałów.

Do użytkowania zgodnego z przeznaczeniem należy również przestrzeganie niniejszej instrukcji.

### 2.2 Wskazówki dotyczące bezpieczeństwa

Przestrzegać poniższych wskazówek dotyczących bezpieczeństwa i obowiązujących przepisów.

Wszystkie wymagane czynności aż do pierwszego uruchomienia muszą być wykonane przez specjalistę.

Instalacja elektryczna i instalacja przyłącza wody mogą zostać przeprowadzone wyłącznie przez wykwalifikowanego specjalistę lub specjalistę.

Podczas instalacji i pierwszego uruchomienia, serwisant odpowiedzialny jest za zachowanie obowiązujących przepisów.

Urządzenie użytkować wyłącznie w stanie całkowicie zmontowanym i ze wszystkimi urządzeniami zabezpieczającymi.



#### Ryzyko poparzenia!

Temperatura wody w armaturze czerpalnej może osiągać nawet 65°C (PSH 30-50 Si) / 62 °C (PSH 80-150 Si). W przypadku temperatur na wylocie większych niż 43°C istnieje ryzyko poparzenia. Małe dzieci trzymać z dala do armatury czerpalnej!



#### Ryzyko odniesienia obrażeń!

Jeżeli urządzenie będzie obsługiwane przez dzieci lub osoby z ograniczonymi zdolnościami ruchowymi, sensorycznymi oraz z ograniczoną poczytalnością, należy się upewnić, że będzie się to odbywać wyłącznie pod nadzorem lub po odpowiednim przeszkoleniu przez osobę odpowiedzialną za bezpieczeństwo.

Nadzorować dzieci, aby mieć pewność, że nie wykorzystują one urządzenia do zabaw!

### 2.3 Oznaczenie CE

Oznaczenie CE zapewnia, że urządzenie spełnia wszystkie podstawowe wymogi:

- dyrektywy dotyczącej kompatybilności elektromagnetycznej,
- dyrektywy niskonapięciowej.

Tabliczka znamionowa znajduje się na spodzie urządzenia.

## 3 Opis urządzenia

Wiszący zasobnik wody ciepłej zapewnia w sposób stały dostęp do wody pitnej o wybranej temperaturze. Woda ogrzewana jest przez grzejniki elektryczne.

Urządzenie jest fabrycznie wstępnie nastawione na temperaturę 65°C (PSH 30-50 Si)/ 62°C (PSH 80-150 Si). W urządzeniach typu PSH 80-150 Si temperaturę może nastawić wyłącznie specjalista.

Woda nadmiarowa, powstająca podczas procesu rozgrzewania, odprowadzana jest przez zawór bezpieczeństwa. Zbiornik wewnętrzny zasobnika zabezpieczono przed korozją poprzez pokrycie emalią i wbudowanie anody ochronnej magnezu.

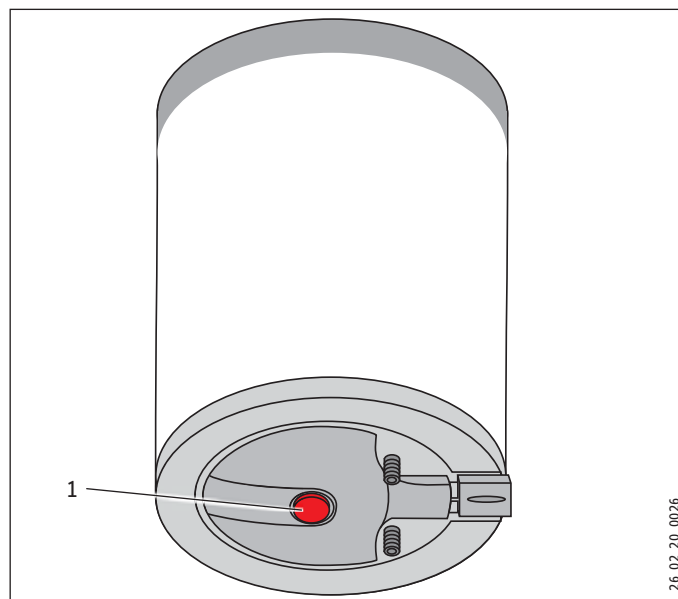
## 4 Obsługa

### 4.1 Obowiązujące dokumenty

Podczas obsługi należy przestrzegać dodatkowo instrukcji obsługi odpowiednich akcesoriów oraz elementów dołączonych do urządzenia.

### 4.2 Możliwości ustawienia

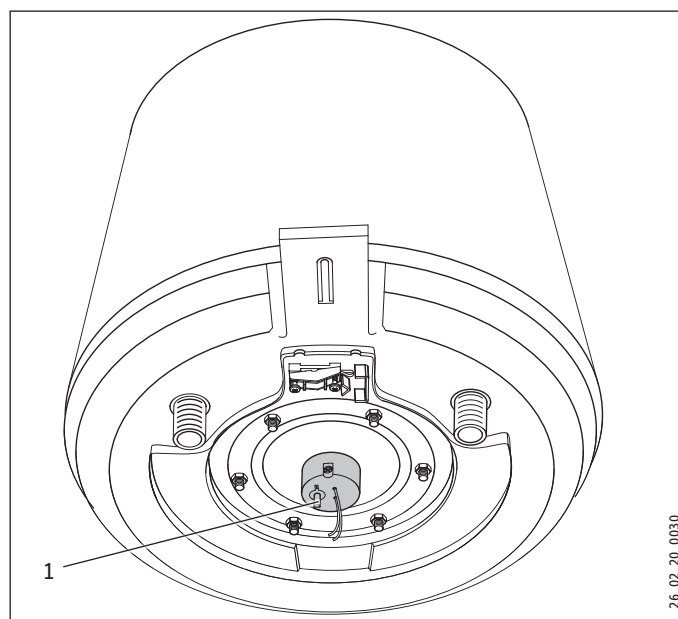
#### 4.2.1 Regulacja temperatury PSH 30 - 50 Si



1 Pokrętko wyboru temperatury (tylko w PSH 30-50 Si)  
Obracając pokrętkę wyboru temperatury, można ustawić temperaturę wody w zasobniku. Obrócić w kierunku zgodnym z ruchem wskazówek zegara, aby zwiększyć oraz w kierunku przeciwnym, aby zmniejszyć temperaturę.

Gdy temperatura wody w zasobniku spadnie poniżej wartości ustawionej, następuje automatyczne włączenie ogrzewania. Wskazanie robocze pozostaje zapalone aż do zakończenia ogrzewania i ponownego osiągnięcia zadanej wartości temperatury.

#### 4.2.2 Regulacja temperatury PSH 80 - 150 Si



1 Pokrętko wyboru temperatury

Nastawioną fabrycznie temperaturę może zmienić tylko specjalista. W tym celu konieczne jest obrócenie znajdującego się w urządzeniu

regulatora temperatury w żądane położenie (położenie 5 odpowiada w przybliżeniu 62°C).

### 4.3 Zalecane ustawienia

#### 4.3.1 Temperatura wody

Temperatura wody może być wg potrzeb regulowana w sposób płynny. Zakres regulacji wynosi od ok. 5 °C do ok. 65 °C (PSH 80-150 Si: 5 °C od 62 °C).

Przy niskim zużyciu wody lub w przypadku wody o dużej zawartości kamienia zaleca się ustawienie niskiej temperatury w zasobniku, ponieważ przy temperaturach powyżej 55°C następuje osadzanie się kamienia.

#### 4.3.2 Urlop i nieobecność

W okresie dłuższej nieobecności, np. w czasie urlopu, zaleca się włączenie trybu zabezpieczenia przed zamrażaniem lub odłączenie urządzenia od źródła zasilania. Przestrzegać informacji zawartych w rozdziale Zabezpieczenie przed zamrażaniem.

#### 4.3.3 Sporadyczne użytkowanie

W przypadku użytkowania sporadycznego, np. w domku wypoczynkowym, na czas nieobecności należy włączyć tryb zabezpieczenia przed zamrażaniem lub odłączyć urządzenie od źródła zasilania. Ze względów higienicznych i zdrowotnych, przed pierwszym użyciem zawartość zasobnika należy rozgrzać do temperatury powyżej 60°C.

#### 4.3.4 Zabezpieczenie przed zamrażaniem

W położeniu zabezpieczenia przed zamrażaniem, chroniony jest tylko zasobnik, a nie zawór bezpieczeństwa i przewody wodociągowe w mieszkaniu lub w domku. W przypadku urządzeń odłączonych od sieci, zasobnik nie jest zagrożony zamrażaniem. W przypadku ryzyka zamrażnięcia, należy opróżnić zasobnik.

- » Podłączyć przewód doprowadzający zimną wodę do zasobnika.
- » Otworzyć punkt poboru ciepłej wody.
- » Otworzyć zawór opróżniający lub zawór opróżniający w zaworze bezpieczeństwa i całkowicie opróżnić zasobnik.



**Ryzyko poparzenia.**

**Podczas opróżniania może wypłynąć gorąca woda.**

## 5 Czyszczenie i konserwacja

Do pielęgnacji obudowy wystarcza wilgotna szmatka. Nie stosować środków czyszczących o właściwościach ściernych ani rozpuszczalników!

- » Regularnie sprawdzać stan armatury. Usuwać kamień z wylotu armatur przy użyciu standardowych środków do usuwania kamienia.
- » Regularnie uruchamiać zawór bezpieczeństwa, aby zapobiec jego zablokowaniu przez osadzający się kamień.
- » Sprawdzać prawidłowe działania zaworu bezpieczeństwa, odchylając lub obracając pokrętko. Woda powinna wypływać przy tym przez zawór bezpieczeństwa!

Należy zawsze zapewnić swobodny odpływ skroplin z zaworu bezpieczeństwa do atmosfery - nie wolno go zmniejszać ani zakrywać.

Odpływ skroplin należy poprowadzić do zabezpieczonej przed zamrażaniem rury odpływowej o stałym nachyleniu, zapewniającym odpływ wody.



**Regularnie zlecać kontrolę urządzenia i zaworu bezpieczeństwa przez specjalistę.**



**Zagrożenie życia przez porażenie prądem!  
Wszelkie prace konserwacyjne, jak np. kontrola bezpieczeństwa elektrycznego, mogą być wykonywane wyłącznie przez specjalistę.**

W celu zapewnienia długiej żywotności urządzenia, zaleca się zlecenie specjalistycznej kontroli ochronnej anody magnezu po pierwszym roku pracy urządzenia. Dalsze okresy konserwacji muszą zostać ustalone przez specjalistę. W obszarach, w których występuje agresywna woda, wymagane mogą być coroczne okresy konserwacji.

## 6 Co robić, gdy ... ?

| Usterka                               | Usuwanie usterki  |
|---------------------------------------|---|
| Brak ciepłej wody                     | Czy zasilanie (bezpiecznik lub wyłącznik mocy) zostało przerwane? Jeśli tak, ponownie włączyć bezpiecznik lub wyłącznik mocy i poczekać na ponowne rozgrzanie zasobnika. Jeżeli bezpiecznik zadziała po ponownym włączeniu, powiadomić specjalistę. |
| Brak ciepłej wody                     | Czy ustawiono wystarczająco wysoką temperaturę? Ustawić nieco wyższą temperaturę.   |
| Brak ciepłej wody                     | Czy lampka robocza świeci się? Jeżeli lampka ta świeci się, urządzenie podgrzewa zawartość zasobnika. Może to być wymagane, na przykład, po pobraniu dużej ilości wody. Poczekać, aż lampka robocza zgaśnie.  |
| Brak ciepłej wody                     | Czy lampka robocza świeci się? Jeżeli lampka ta nie świeci się, a wszystkie inne przyczyny zostały sprawdzone, mogło dojść do zadziałania ogranicznika temperatury bezpieczeństwa. Powiadomić specjalistę.  |
| Zbyt mała ilość ciepłej wody          | Czy ustawienie temperatury jest prawidłowe? Jeżeli wszystkie inne źródła błędów zostały wykluczone, urządzenie zostało źle opomiarowane. Uwzględnić przy tym również maksymalną ilość poboru ciepłej wody podaną w rozdziale „Dane techniczne”.     |
| Mała ilość ciepłej wody na wylocie    | Czy punkty poboru są pokryte kamieniem? Obecność kamienia w punktach poboru zmniejsza ilość wody na wylocie. Usunąć kamień i wyczyścić armaturę na wylocie urządzenia. Jeżeli nie przyczyni się to do usunięcia usterki, powiadomić specjalistę.    |
| Wyciek kropli z zaworu bezpieczeństwa | Podczas podgrzewania jest to normalne. Jeżeli woda będzie wyciekać z zaworu bezpieczeństwa również po zakończeniu podgrzewania, powiadomić specjalistę.   |

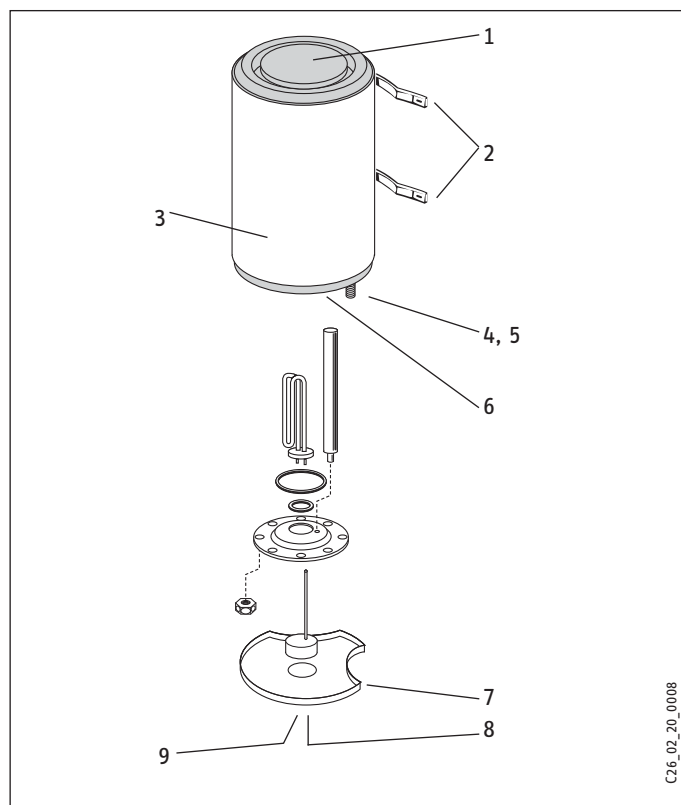
## 7 Bezpieczeństwo

Używać wyłącznie oryginalnych części zamiennych.

### 7.1 Krajowe wskazówki dotyczące bezpieczeństwa

Uwzględnić krajowe przepisy i rozporządzenia odnośnie przyłącza wody i przyłącza elektrycznego.

## 8 Opis urządzenia



- 1 Pokrywa górna z tworzywa sztucznego
- 2 Listwa montażowa ścienna (przy PSH 30 - 100 Si tylko na górze)
- 3 Obudowa stalowa, lakierowana na biało
- 4 Króciec przyłączeniowy zimnej wody (niebieski)
- 5 Króciec przyłączeniowy ciepłej wody (czerwony)
- 6 Pokrywa dolna z tworzywa sztucznego
- 7 Pokrywa rozdzielni z przyłączem elektrycznym
- 8 Pokrętło wyboru temperatury (tylko PSH 30-50 Si)
- 9 Lampka robocza

Urządzenie wyposażone jest w emaliowany zbiornik stalowy, kołnierz grzejny z miedzianą grzałką rurkową oraz anodę ochronną.

- Urządzenie może służyć do zasilania kilku punktów poboru wody.
- Woda jest podgrzewana w odpornym na ciśnienie zbiorniku wewnętrznym.
- Ochronna anoda magnezowa zabezpiecza emaliowany zbiornik wewnętrznym przed korozją.
- Funkcję izolacji cieplnej pełni ekologiczna pianka poliuretanowa, którą można poddać recyklingowi.

### 8.1 Zakres dostawy

- Zasobnik wiszący z zamontowaną listwą do zawieszenia
- Niniejsza instrukcja obsługi i instalacji

## 9 Instalacja

### 9.1 Warunki ustawienia

Urządzenie przeznaczone jest do instalacji na ścianie w pomieszczeniu zabezpieczonym przed zamarzaniem, w pobliżu głównego punktu poboru wody. Instalacja na zewnątrz budynku jest niedozwolona.

Przestrzegać następujących informacji i wskazówek:

- Pomieszczenie musi być zabezpieczone przed zamarzaniem, np. łazienka lub pomieszczenie gospodarcze.
- Ściana, na której urządzenie ma być zamontowane, musi być pionowa i cechować się odpowiednią nośnością. Uwzględnić przy tym masę urządzenia napelnionego wodą.
- W celu odprowadzania wody nadmiarowej, w pobliżu urządzenia musi się znajdować odpowiedni odpływ.
- Przewody napięcia oraz przewody zimnej i ciepłej wody muszą być odpowiednie pod kątem instalacji urządzenia.

## 10 Montaż

### 10.1 Montaż urządzenia

#### 10.1.1 Montaż urządzenia

Do montażu użyć materiału mocującego dopasowanego do materiału, z którego wykonana jest ściana.

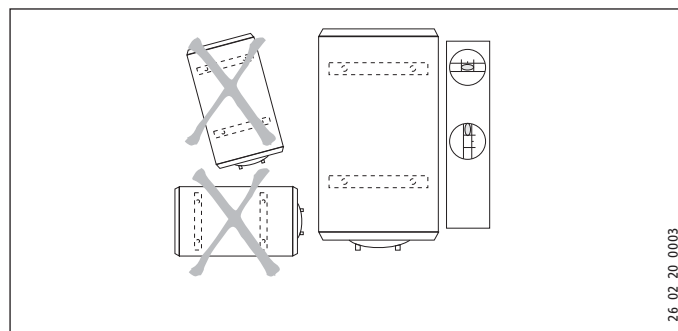
Położenie śrub wymaganych do montażu zostało przedstawione na rysunku w rozdziale „Dane techniczne”.



**Podczas wiercenia uważać na przebiegające w ścianie przewody zasilające.**

» Uwzględnić ciężar pustego urządzenia. W zależności od wielkości urządzenia, do jego zawieszenia mogą być wymagane dwie osoby!

» Wyrównać zasobnik w pionie.



» Dokręcić wszystkie śruby/nakrętki.

#### 10.1.2 Przyłącze wody



**W dopływie zimnej wody zainstalować zawór bezpieczeństwa.**

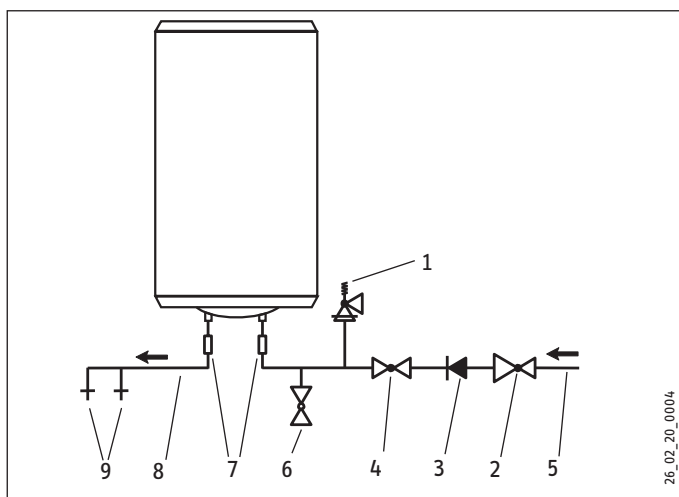
Podczas podłączania wody przestrzegać niniejszej instrukcji oraz norm i przepisów krajowych.



Jeżeli ciśnienie wody jest wyższe niż 0,5 MPa (5 bar), w przewodzie doprowadzającym zimną wodę należy zamontować reduktor ciśnienia.

Przyłącze wody musi być zamknięte (odporne na ściskanie) w celu zasilania kilku punktów poboru. Przed podłączeniem do zasobnika przewód wody zimnej należy dokładnie przepłukać, aby do zasobnika lub zaworu bezpieczeństwa nie przedostały się ciała obce.

» Zainstalować zasobnik zgodnie z poniższym rysunkiem.



- 1 Zawór bezpieczeństwa (0,6 MPa, 6 bar)
- 2 Zawór redukcyjny ciśnienia (zalecany przy ciśnieniu wody powyżej 0,5 MPa (5 bar))
- 3 Zawór przeciwwzrotny
- 4 Przelotowy zawór odcinający (dławik)
- 5 Dopływ zimnej wody
- 6 Zawór spustowy
- 7 Złączka izolacyjna z mosiądzu lub tworzywa sztucznego do zimnej i ciepłej wody
- 8 Dopływ ciepłej wody
- 9 Punkty poboru

Wskazówka dotycząca przewodów miedzianych: Bezpośrednio przy urządzeniu nie wolno montować przyłączy z miedzi. Do podłączenia rur zalecamy mosiądz lub kształtki przejściowe spełniające zadanie złączy izolacyjnych.

» Ilość przepływu nastawić za pomocą przelotowego zaworu odcinającego na maks. 18 l/min.

### 10.1.3 Zawór bezpieczeństwa

Podczas podgrzewania następuje rozprzestrzenianie się wody pitnej w zasobniku, co powoduje powstanie nadciśnienia. Zawór bezpieczeństwa chroni zasobnik przed nadmiernie wysokim ciśnieniem.



#### Ryzyko uszkodzenia!

W zasobniku (w przewodzie zimnej wody) należy zainstalować membranowy zawór bezpieczeństwa posiadający odpowiedni certyfikat. Przestrzegać dokumentacji dołączonej do zaworu bezpieczeństwa, zwłaszcza wskazówek dotyczących bezpieczeństwa i obsługi.

» Regularnie uruchamiać zawór bezpieczeństwa, aby zapobiec jego zablokowaniu przez osadzający się kamień.



Należy zawsze zapewnić swobodny odpływ skroplin z zaworu bezpieczeństwa do atmosfery - nie wolno go zmniejszać ani zakrywać. Odpływ musi być zabezpieczony przed zamarzaniem i cechować się stałym spadkiem.

» Sprawdzać prawidłowe działanie zaworu bezpieczeństwa.

» Opisać użytkownikowi zawór bezpieczeństwa, jego znaczenie i przedstawić wskazówki dotyczące obsługi.

### 10.1.4 Systemy rur z tworzywa sztucznego

Zasobnik wiszący przeznaczony jest do podłączenia do systemów rur z tworzywa sztucznego. W razie awarii mogą wystąpić temperatury rzędu 95°C (maks. 0,6 MPa). Używane systemy rur z tworzywa sztucznego muszą być przystosowane do tych warunków.

### 10.1.5 Podłączenie elektryczne

Podłączenie elektryczne musi zostać wykonane z uwzględnieniem niniejszej dokumentacji oraz obowiązujących norm i przepisów krajowych.

W Niemczech są to „Przepisy dotyczące budowy instalacji wysokiego napięcia o znamionowej wartości napięcia do 1000 V” oraz przepisy lokalnego zakładu energetycznego i VDE 0100.

W przewodzie zasilającym musi być dostępny wielobiegunowy odcinek rozdzielający, z odstępem między stykami o wielkości co najmniej 3 mm. W tym celu można użyć bezpieczników lub przetłączników.

Zasobnik wiszący przeznaczony jest wyłącznie do stałego podłączenia do sieci zasilającej.

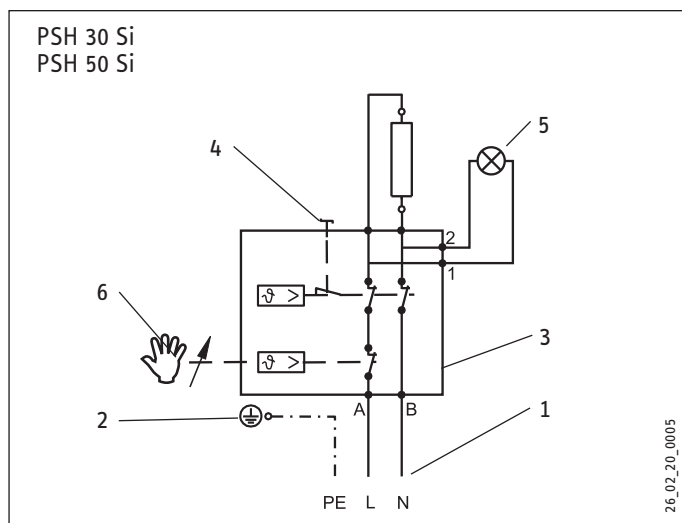
Tylko w PSH 30-50 Si: Zasobnik ten posiada elastyczny przewód przyłączeniowy o długości ok. 0,95 metra z końcówkami rurkowymi.

Jeżeli długość przewodu jest zbyt mała, należy odłączyć kabel przyłączeniowy od urządzenia. Użyć odpowiedniego kabla instalacyjnego (3 x 1,5 mm<sup>2</sup>).

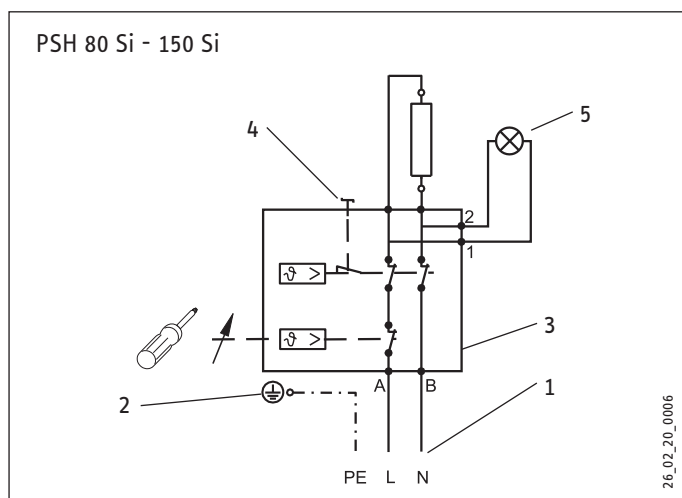
Podczas rozkładania nowego przewodu przyłączeniowego należy zwrócić uwagę na to, aby był on wodoszczelny, włożyć go przez istniejący wpust i odpowiednio ułożyć oraz podłączyć wewnątrz urządzenia.



# INSTALACJA URUCHOMIENIE



- 1 Przyłącze sieciowe
- 2 Przyłącze przewodu ochronnego
- 3 Ogranicznik temperatury bezpieczeństwa zintegrowany z regulatorem temperatury
- 4 Grzałka rurkowa z połączeniem wtykowym
- 5 Lampka robocza
- 6 Pokrętło wyboru temperatury



- 1 Przyłącze sieciowe
- 2 Przyłącze przewodu ochronnego
- 3 Ogranicznik temperatury bezpieczeństwa zintegrowany z regulatorem temperatury
- 4 Grzałka rurkowa z połączeniem wtykowym
- 5 Lampka robocza

## 10.2 Montaż akcesoriów

Akcesoria instalować zgodnie z dołączonymi do nich instrukcjami.

## 11 Uruchomienie

Pierwsze uruchomienie i podgrzewanie musi zostać przeprowadzone przez specjalistę. W zależności od wielkości urządzenia i temperatury zadanej, może to trwać kilka godzin.

### 11.1 Kontrole przed uruchomieniem

- » Sprawdzić, czy zasobnik jest zawieszony pionowo.
- » Upewnić się, że napięcie sieciowe jest wyłączone.
- » Sprawdzić, czy przyłącze wody zostało przygotowane prawidłowo (z zaworem bezpieczeństwa).
- » Upewnić się, że regulator temperatury ustawiony jest całkiem po lewej stronie.

### 11.2 Pierwsze uruchomienie

- » Otworzyć dopływ zimnej wody.
- » Otworzyć punkt poboru ciepłej wody.
- » Napełnić zasobnik, aż z punktu poboru będzie wypływać tylko woda bez powietrza.
- » Zamknąć punkt poboru.
- » Włączyć napięcie sieciowe.
- » Obrócić regulator temperatury do oporu w prawo. Nadzorować pierwsze podgrzewanie zasobnika. Podczas podgrzewania świeci się lampka robocza. Poczekać, aż zgaśnie.
- » Sprawdzić szczelność instalacji i wszystkich podzespołów.
- » Sprawdzić zawór bezpieczeństwa i odpływ skroplin.
- » Ustawić regulator temperatury na wymaganą wartość.

### 11.3 Wyłączenie urządzenia

Aby wyłączyć urządzenie, należy wykonać następujące czynności:

- » Odłączyć urządzenie od źródła zasilania.
- » Zamknąć dopływ zimnej wody.
- » Opróżnić urządzenie.

Urządzenie można opróżniać tylko przez zawór bezpieczeństwa lub zawór spustowy.

- » Otworzyć całkowicie zawory ciepłej wody we wszystkich punktach poboru.
- » Otworzyć zawór bezpieczeństwa lub zawór spustowy.



**Ryzyko poparzenia.**

**Podczas opróżniania może wypłynąć gorąca woda..**

### 11.4 Ponowne uruchomienie

- » Otworzyć dopływ zimnej wody.
- » Otworzyć punkt poboru ciepłej wody.
- » Napełnić zasobnik, aż z punktu poboru będzie wypływać tylko woda bez powietrza.
- » Zamknąć punkt poboru.
- » Włączyć napięcie sieciowe.

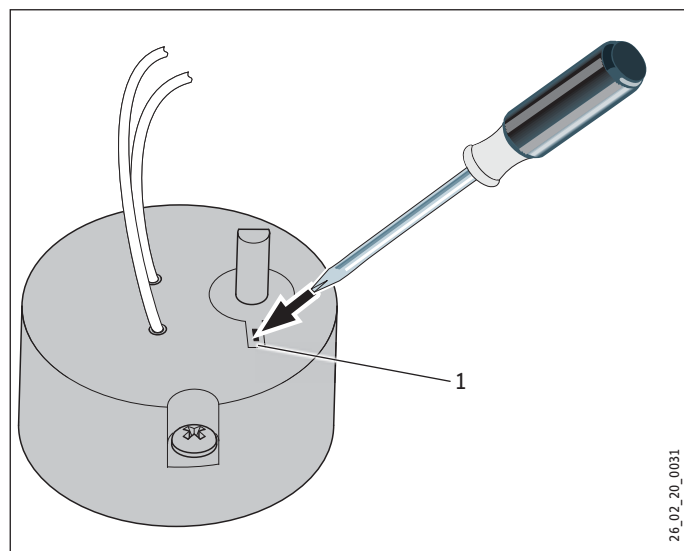
### 12 Przekazanie urządzenia

Objaśnić użytkownikowi sposób działania urządzenia i przekazać mu niniejszą instrukcję obsługi.

### 13 Usuwanie usterek

Oprócz czynności kontrolnych opisanych w rozdziale „Co robić, gdy ...?” sprawdzić następujące punkty:

| Usterka   | Sposób usunięcia   |
|---|--|
| Zbyt mała ilość ciepłej wody  | Czy kołnierz grzejny jest pokryty kamieniem?<br>W razie potrzeby usunąć kamień.  |
| Mała ilość lub brak ciepłej wody  | Sprawdzić regulator i ogrzewacze, w razie potrzeby wymienić je.  |
| Brak ciepłej wody. Ogranicznik temperatury bezpieczeństwa zadziałał z powodu przegrzania.                               | Sprawdzić przyczynę usterki. Jeśli nie można stwierdzić przyczyny, zresetować ogranicznik temperatury bezpieczeństwa. W tym celu nacisnąć wkrętakiem przycisk resetowania, tak jak przedstawiono na rysunku. Jeśli grzałka jest sprawna, a ogranicznik temperatury bezpieczeństwa załącza się w dalszym ciągu, wymienić regulator ze zintegrowanym ogranicznikiem. |
| Brak ciepłej wody. Ogranicznik temperatury bezpieczeństwa zadziałał, ponieważ wartość temperatury jest niższa od -15°C. | W tym celu nacisnąć przycisk resetujący ogranicznika temperatury bezpieczeństwa.   |
| Brak ciepłej wody. Kołnierz grzejny jest uszkodzony.  | Wymienić kołnierz grzejny.   |



1 Przycisk resetowania ogranicznika temperatury bezpieczeństwa

### 14 Konserwacja

#### 14.1 Prace konserwacyjne

- » Sprawdzić zawór bezpieczeństwa i przewód odpływowy skroplin.
- » Sprawdzić ochronną anodę magnezową, w razie potrzeby wymienić.
- » Usunąć luźne osady kamienia z zasobnika.
- » W razie potrzeby usunąć kamień ze zbiornika wewnętrznego przy użyciu standardowych środków do usuwania kamienia.

Odwapnić urządzenie dopiero po wymontowaniu kołnierza grzejnego. Nie czyścić powierzchni zbiornika środkami do usuwania kamienia.

- » Sprawdzić przyłącze elektryczne, zwłaszcza przyłącze przewodu ochronnego.

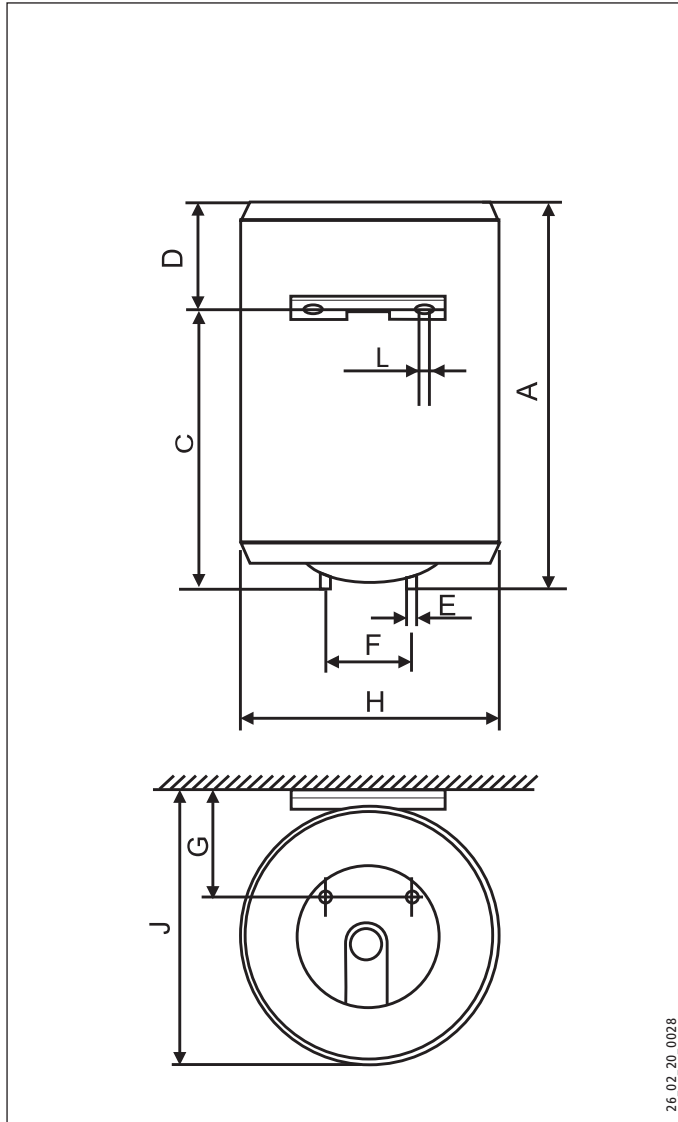
#### 14.2 Elementy podlegające zużyciu

Gdy anoda magnezowa ulegnie zużyciu, wymienić ją. Używać wyłącznie oryginalnych części zamiennych.

## 15 Dane techniczne

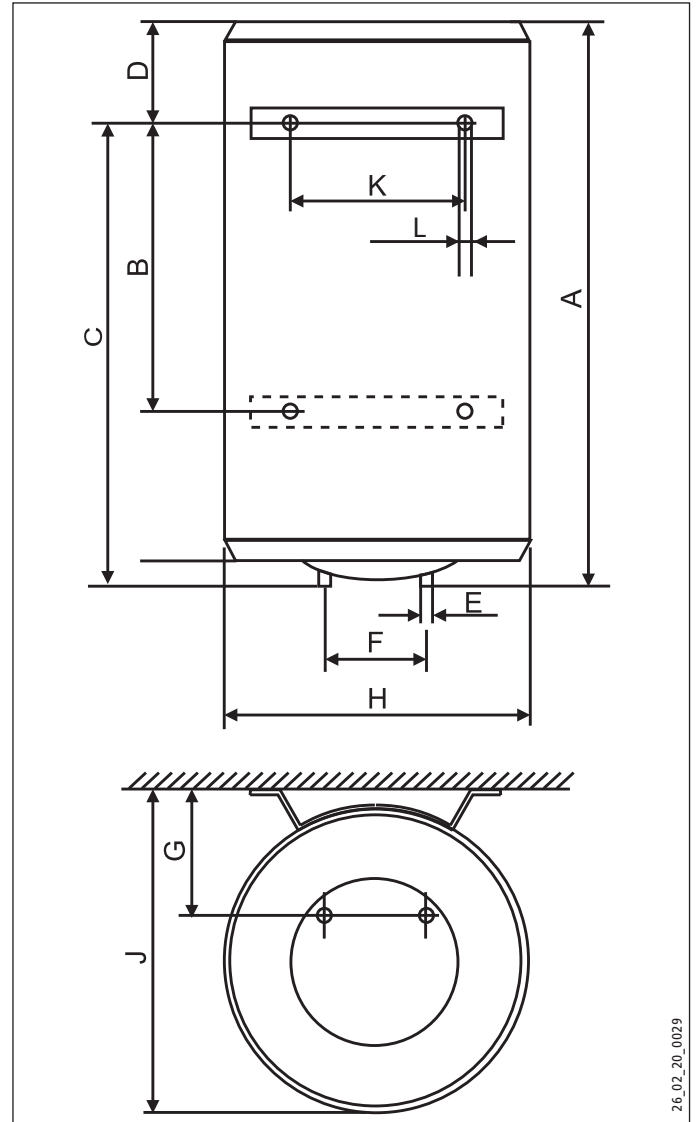
### 15.1 Wymiary urządzenia

PSH 30-50 Si:



26\_02\_20\_0028

PSH 80-150 Si:



26\_02\_20\_0029

POLSKI

| Wymiary |    | PSH 30 Si | PSH 50 Si | PSH 80 Si | PSH 100 Si | PSH 120 Si | PSH 150 Si |
|---------|----|-----------|-----------|-----------|------------|------------|------------|
| A       | mm | 623       | 918       | 737       | 908        | 1046       | 1241       |
| B       | mm |           |           |           |            | 498        | 798        |
| C       | mm | 463       | 750       | 570       | 748        | 748        | 1048       |
| D       | mm | 160       | 168       | 120       | 113        | 251        | 146        |
| E       |    | 1/2"      | 1/2"      | 3/4"      | 3/4"       | 3/4"       | 3/4"       |
| F       | mm | 100       | 100       | 230       | 230        | 230        | 230        |
| G       | mm | 81        | 81        | 165       | 165        | 165        | 165        |
| H       | mm | 338       | 338       | 505       | 505        | 505        | 505        |
| J       | mm | 345       | 345       | 520       | 520        | 520        | 520        |
| K       | mm | 184       | 184       | 440       | 440        | 440        | 440        |
| L       | mm | 8         | 8         | 8         | 8          | 8          | 8          |

# INSTALACJA

## DANE TECHNICZNE

### 15.2 Rysunek wymiarowy

#### Dane techniczne

| Model                                    | Zasobnik wiszący wody ciepłej |           |           |            |            |            |        |
|--|-------------------------------|-----------|-----------|------------|------------|------------|--------|
| Typ                                      | PSH 30 Si                     | PSH 50 Si | PSH 80 Si | PSH 100 Si | PSH 120 Si | PSH 150 Si |        |
| Nr kat.                                  | 074478                        | 074479    | 074480    | 074481     | 074482     | 074483     |        |
| Napięcie znamionowe                      | ~ 230 V                       |           |           |            |            |            |        |
| Pobór mocy                               | W                             | 2000      | 2000      | 2200       | 2200       | 2200       |        |
| Pojemność znamionowa                     | l                             | 30        | 50        | 80         | 100        | 120        | 150    |
| Zakres regulacji temperatury             | °C                            | 5 - 65    | 5 - 65    | 5 - 70     | 5 - 70     | 5 - 70     | 5 - 70 |
| Zużycie prądu w stanie gotowości (65 °C) | kWh/d                         | 0,76      | 1,13      | 1,05       | 1,25       | 1,35       | 1,65   |
| Czas nagrzewania <sup>1)</sup>           | min                           | 57        | 96        | 130        | 175        | 210        | 270    |
| Dopuszczalne nadciśnienie robocze        | MPa                           | 0,6       |           |            |            |            |        |
| Stopień ochrony                          | IP 25                         |           |           |            |            |            |        |
| Znak jakości                             | Patrz tabliczka znamionowa    |           |           |            |            |            |        |
| Wymiary i masy                           |                               |           |           |            |            |            |        |
| Masa (urządzenie puste)                  | kg                            | 14        | 17        | 26         | 31         | 34         | 40     |
| Wysokość                                 | mm                            | 623       | 918       | 737        | 908        | 1046       | 1241   |
| Szerokość                                | mm                            | 338       | 338       | 505        | 505        | 505        | 505    |
| Głębokość                                | mm                            | 345       | 345       | 520        | 520        | 520        | 520    |

<sup>1)</sup> Temperatura zimnej wody na wlocie 15°C i temperatura zasobnika 65°C

## Gwarancja

Gwarancja obejmuje tylko obszar kraju w którym urządzenie zostało zakupione. Naprawy gwarancyjne należy zgłaszać do zakładu serwisowego wymienionego w karcie gwarancyjnej.



**Montaż, podłączenie elektryczne oraz konserwacja urządzenia mogą być wykonane wyłącznie przez uprawnionego instalatora.**



**Producent nie bierze odpowiedzialności za uszkodzenia urządzeń wynikłe z montażu i/lub użytkowania niezgodnego z niniejszą instrukcją montażu i obsługi.**

## Środowisko naturalne i przetwarzanie

Prosimy o współpracę w zakresie przestrzegania zasad ochrony środowiska. W tym celu należy usunąć opakowanie zgodnie z obowiązującymi krajowo przepisami o przeróbce odpadków.

### OBSLUHA

|          |                                     |           |
|----------|-------------------------------------|-----------|
| <b>1</b> | <b>Obecné pokyny</b>                | <b>22</b> |
| 1.1      | Vysvětlivky symbolů                 | 22        |
| <b>2</b> | <b>Bezpečnost</b>                   | <b>22</b> |
| 2.1      | Užívání ke stanovenému účelu        | 22        |
| 2.2      | Bezpečnostní pokyny                 | 23        |
| 2.3      | Označení CE                         | 23        |
| <b>3</b> | <b>Popis přístroje</b>              | <b>23</b> |
| <b>4</b> | <b>Obsluha</b>                      | <b>23</b> |
| 4.1      | Související dokumentace             | 23        |
| 4.2      | Možnosti nastavení                  | 23        |
| 4.3      | Doporučená nastavení                | 24        |
| <b>5</b> | <b>Čištění, ošetřování a údržba</b> | <b>24</b> |
| <b>6</b> | <b>Co dělat, když... ?</b>          | <b>24</b> |

### INSTALACE

|           |                                      |           |
|-----------|--------------------------------------|-----------|
| <b>7</b>  | <b>Bezpečnost</b>                    | <b>25</b> |
| 7.1       | Místní bezpečnostní pokyny           | 25        |
| <b>8</b>  | <b>Popis přístroje</b>               | <b>25</b> |
| 8.1       | Rozsah dodávky                       | 25        |
| <b>9</b>  | <b>Instalace</b>                     | <b>25</b> |
| 9.1       | Podmínky instalace                   | 25        |
| <b>10</b> | <b>Montáž</b>                        | <b>25</b> |
| 10.1      | Montáž přístroje                     | 25        |
| 10.2      | Montáž příslušenství                 | 27        |
| <b>11</b> | <b>Uvedení do provozu</b>            | <b>27</b> |
| 11.1      | Kontroly před uvedením do provozu    | 27        |
| 11.2      | První uvedení do provozu             | 27        |
| 11.3      | Vypnutí přístroje                    | 27        |
| 11.4      | Opětovné uvedení do provozu          | 27        |
| <b>12</b> | <b>Předání přístroje</b>             | <b>27</b> |
| <b>13</b> | <b>Odstraňování poruch</b>           | <b>28</b> |
| <b>14</b> | <b>Údržba</b>                        | <b>28</b> |
| 14.1      | Údržbářské práce                     | 28        |
| 14.2      | Díly podléhající rychlému opotřebení | 28        |
| <b>15</b> | <b>Technické údaje</b>               | <b>29</b> |
| 15.1      | Kótovaný výkres                      | 29        |
| 15.2      | Technické údaje                      | 30        |

### ZÁRUČNÍ PODMÍNKY

### EKOLOGIE A RECYKLACE

## 1 Obecné pokyny

Kapitola **Obsluha** je určena uživatelům a instalačním technikům.

Kapitola **Instalace** je určena instalačním technikům.



### Pozor, čtěte!

Pozorně si přečtěte tento návod a uschovejte jej. V případě prodeje přístroje předejte návod dalšímu uživateli.

### 1.1 Vysvětlivky symbolů

#### 1.1.1 Symboly použité v této dokumentaci:

Tato dokumentace obsahuje symboly a zvýrazněný text. Významy jsou následující:



### Nebezpečí úrazu!

Upozornění na rizika úrazu!



Nebezpečí ohrožení života úderem elektrického proudu!



Nebezpečí opaření!



### Pozor!

Upozornění na hrozící nebezpečí. Může dojít ke škodě na přístroji nebo na životním prostředí. Může dojít i k ekonomickým škodám.



### Pozor, čtěte!

Text vedle tohoto symbolu si přečtěte velmi pozorně.

» Pasáže označené tímto symbolem vás informují o žádoucím postupu, který je popsán krok za krokem.

– Pasáže uvozené tímto symbolem označují výčet.

#### 1.1.2 Symboly na přístroji

Na typovém štítku přístroje jsou uvedeny určité symboly. Tyto mají následující význam:



### Likvidace!

Přístroje označené tímto symbolem nepatří do kontejneru smíšeného odpadu. Tyto přístroje patří do tříděného odpadu.

## 2 Bezpečnost

### 2.1 Užívání ke stanovenému účelu

Přístroj je určen výhradně k ohřevu pitné vody.

Jiné užívání nebo užívání přesahující tento rámec se považuje za užívání k jinému než stanovenému účelu. Ohřívání jiných kapalin nebo látek není přípustné.

Užívání ke stanovenému účelu rovněž zahrnuje dodržování tohoto návodu.

### 2.2 Bezpečnostní pokyny

**Dodržujte následující bezpečnostní pokyny a předpisy.**

Všechny kroky až do uvedení přístroje do provozu (včetně) smí provádět pouze specializovaný odborník.

Elektrickou instalaci a instalaci přívodu vody smí provést pouze odborník s potřebnou kvalifikací nebo naši technici zákaznického servisu.

Specializovaný odborník je při instalaci a prvním uvedení do provozu odpovědný za dodržování platných předpisů.

Používejte přístroj pouze v plně instalovaném stavu a se všemi bezpečnostními zařízeními.



#### Nebezpečí opaření!

Na odběrné baterii může teplá voda dosáhnout teploty až 65 °C (PSH 30-50 Si) / 62 °C (PSH 80-150 Si). Pokud je výstupní teplota vody vyšší než 43 °C, hrozí nebezpečí opaření. Zabraňte malým dětem v přístupu k odběrným bateriím.



#### Nebezpečí úrazu!

Pokud přístroj používají děti nebo osoby s omezenými tělesnými, smyslovými nebo duševními schopnostmi, je třeba zajistit, aby taková manipulace byla vždy pod dohledem osoby odpovědné za bezpečnost takových osob nebo musí být zmíněné osoby dohlížející osobou nejdříve poučeni.

**Dohlížejte na děti, aby si s přístrojem nehrály!**

### 2.3 Označení CE

Označení CE dokládá, že přístroj splňuje všechny základní požadavky:

- Směrnice o elektromagnetické kompatibilitě
  - Směrnice o elektrických zařízeních nízkého napětí
- Výkonový štítek se nachází na spodní straně přístroje.

## 3 Popis přístroje

Ohřívač vody určený k zavěšení na stěnu slouží jako trvalý zdroj pitné vody o zvolené teplotě. Voda se ohřívá elektrickým topným tělesem.

Přístroj je ze závodu nastaven na 65 °C (PSH 30-50 Si)/62 °C (PSH 80-150 Si). Nastavení teploty smí u přístrojů typu PSH 80-150 Si provádět pouze specializovaný pracovník.

Nadbytečná voda vznikající při ohřevu vody se odvádí pojistným ventilem. Vnitřní nádoba zásobníku je chráněna proti korozi smaltem ve spojení s vestavěnou ochrannou hořčíkovou anodou.

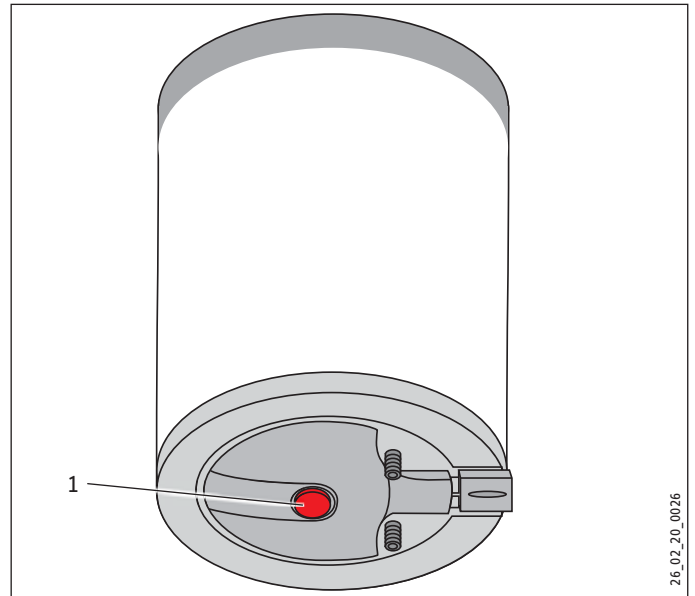
## 4 Obsluha

### 4.1 Související dokumentace

Obsluha musí navíc dbát návodů k obsluze daného příslušenství a případných doplňkových zařízení přístroje.

### 4.2 Možnosti nastavení

#### 4.2.1 Nastavení teploty PSH 30-50 Si

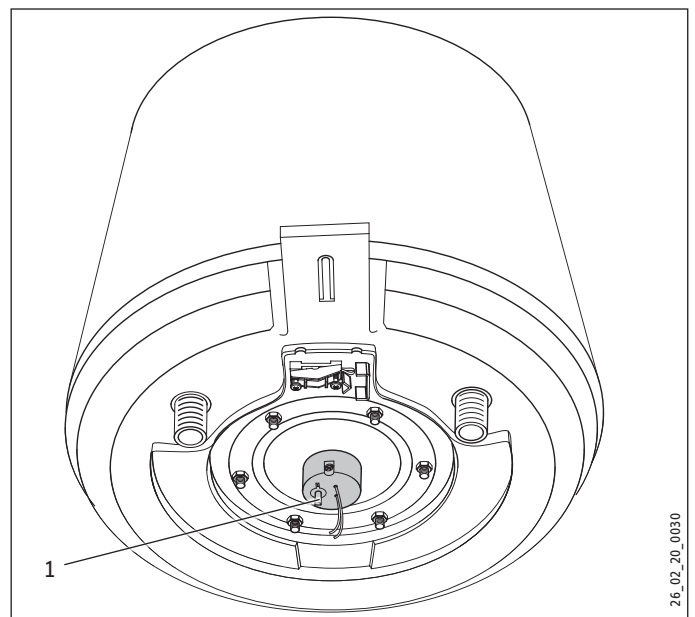


1 Knoflík pro volbu teploty (pouze u PSH 30-50 Si)

Teplotu vody v zásobníku je možno zvolit otáčením knoflíku pro volbu teploty. Otáčením knoflíku ve směru hodinových ručiček teplotu zvyšujete a otáčením proti směru hodinových ručiček ji snižujete.

Jakmile teplota vody v zásobníku klesne pod nastavenou hodnotu, zapne se automaticky topení. Indikátor provozního stavu svítí až do ukončení dohřevu a dosažení předepsané teploty.

#### 4.2.2 Nastavení teploty PSH 80-150 Si



1 Knoflík pro volbu teploty

Teplotu nastavenou ze závodu může změnit příslušný specializovaný pracovník. Pro tento účel je třeba otočit teplotní regulátor nacházející se v přístroji do požadované polohy (poloha 5 odpovídá přibližně 62 °C).

### 4.3 Doporučená nastavení

#### 4.3.1 Teplota vody

Teplotu vody můžete nastavit plynule podle potřeby. Rozsah nastavení je od cca. 5 °C až do cca. 65 °C (PSH 80-150 Si: 5 °C do 62 °C).

Při velmi nízkém odběru vody nebo pokud je voda silně vápnitá, doporučujeme zásobník nastavit na nízkou teplotu, protože přibližně od teploty 55 °C se začíná vylučovat vápno obsažené ve vodě.

#### 4.3.2 Dovolena a nepřítomnost

Při delší nepřítomnosti, např. během dovolené, je třeba přístroj z důvodů úspory energie nastavit na režim ochrany proti zamrznutí nebo jej odpojit od elektrické sítě. Dbejte přítom údajů v kapitole Ochrana proti zamrznutí.


#### 4.3.3 Občasné používání

Při občasném používání, například na chatě, je třeba přístroj během nepřítomnosti provozovat při nastavení ochrany proti zamrznutí nebo jej odpojit od elektrické sítě. Z hygienických a zdravotních důvodů byste měli obsah zásobníku před prvním použitím jednorázově ohřát na teplotu vyšší než 60 °C.

#### 4.3.4 Ochrana proti zamrznutí

Při nastavení ochrany proti zamrznutí je zásobník chráněn proti zamrznutí. To však neplatí pro pojistný ventil a vodovodní potrubí v bytě či domě. Je-li přístroj odpojen od sítě, není zásobník chráněn proti zamrznutí. Hrozí-li nebezpečí zamrznutí, je v takovém případě nutno zásobník vypustit.

- » Uzavřete přívod studené vody k zásobníku.
- » Otevřete odběrné místo teplé vody.
- » Otevřete vypouštěcí ventil nebo vypouštěcí ventil na pojistném ventilu a vyprázdníte důkladně zásobník.



**Nebezpečí opaření.**  
Při vypouštění může unikat horká voda.

## 5 Čištění, ošetřování a údržba

K očištění tělesa přístroje postačí vlhká utěrka. Nepoužívejte abrazivní čisticí prostředky nebo prostředky s obsahem rozpouštědla!


- » Kontrolujte pravidelně baterii. Odstraňujte usazeniny vodního kamene z vyústění baterií obvyklými prostředky k jeho odstraňování.
- » Aktivujte pravidelně pojistný ventil, abyste zabránili jeho zablokování usazeninami vodního kamene.
- » Zkontrolujte řádnou funkci pojistného ventilu pootočením otočného knoflíku. Přitom z pojistného ventilu vytéká voda!

Odtok odkapávající vody pojistného ventilu musí zůstat vždy otevřený a nesmí být zúžený nebo ucpaný.

Veďte odtok vody do trubky, která je zabezpečena proti zamrznutí a má trvale sestupný sklon, takže zaručuje odtok vody bez překážky.



**Nechte přístroj a pojistný ventil pravidelně kontrolovat specializovaným odborníkem.**



**Nebezpečí ohrožení života úderem elektrického proudu!**  
**Údržbu, jako například kontrolu bezpečnosti elektrického systému, smí provádět pouze specializovaný odborník.**

K zajištění dlouhé životnosti se doporučuje nechat hořčíkovou anodu, která je instalována v přístroji, po prvním roce provozu zkontrolovat specializovaným odborníkem. Další intervaly údržby by měl stanovit specializovaný odborník. V oblastech se zvláště agresivní vodou bude možná nutně údržbu provádět v ročních intervalech.

## 6 Co dělat, když... ?

| Porucha                           | Kroky při odstraňování poruch   |
|-----------------------------------|---|
| Neteče teplá voda                 | Došlo k přerušení napájení (pojistka nebo výkonový spínač)? Pokud ano, pak zapněte opět pojistku nebo výkonový spínač a vyčkejte, dokud se zásobník opět neohřeje. Pokud pojistka po zapnutí opět vypadne, kontaktujte servis nebo opraváře.              |
| Neteče teplá voda                 | Je teplota nastavena na dostatečně vysokou hodnotu? Nastavte teplotu o něco výše.   |
| Neteče teplá voda                 | Svítil kontrolka provozního stavu? Jestliže kontrolka svítí, přístroj ohřívá obsah zásobníku. Toho může být například zapotřebí, pokud předtím došlo k velkému odběru teplé vody. Vyčkejte, dokud kontrolka provozního stavu opět nezhasne.               |
| Neteče teplá voda                 | Svítil kontrolka provozního stavu? Pokud kontrolka nesvítí a všechny ostatní možné příčiny již byly prozkoumány, může se jednat o aktivovaný bezpečnostní omezovač teploty. obraťte se na specializovaného odborníka.                                     |
| Voda je málo teplá                | Je nastavení teploty správné? Jestliže byly vyloučeny všechny ostatní zdroje chyby, byl přístroj pravděpodobně nedostatečně dimenzován. Vezměte přitom v úvahu také maximální odběrné množství teplé vody, které je uvedeno v kapitole „Technické údaje“. |
| Malé výstupní množství teplé vody | Nejsou odběrná místa zanesena vodním kamenem? Vodní kámen na odběrných místech zmenšuje výstupní množství. Odstraňte vodní kámen a vyčistěte výtokové baterie. Pokud ani potom nedejde k odstranění poruchy, obraťte se na specializovaného odborníka.    |
| Pojistný ventil kape              | Během ohřevu se jedná o normální jev. Pokud pojistný ventil kape i po ukončení ohřevu, obraťte se na specializovaného odborníka.  |



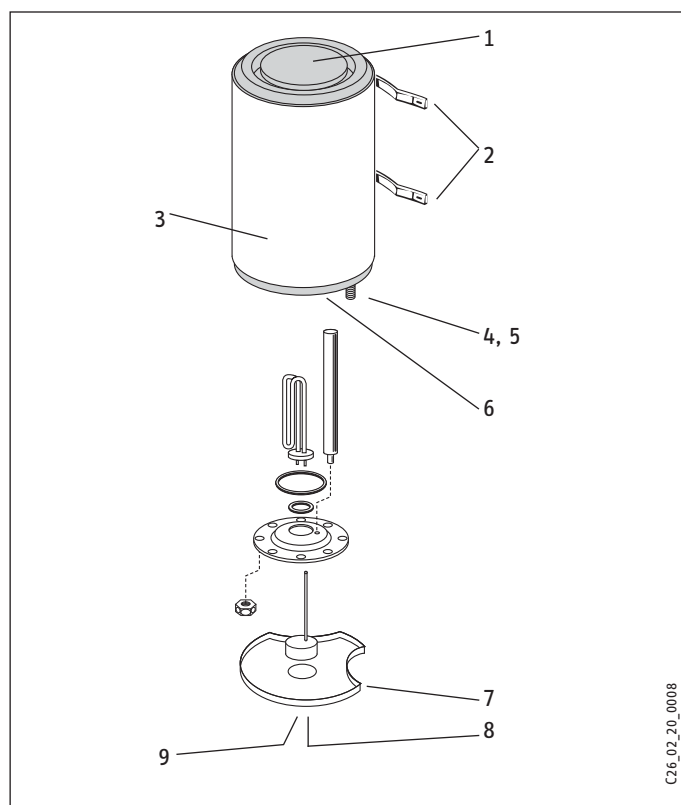
## 7 Bezpečnost

Používejte pouze originální náhradní díly.

### 7.1 Místní bezpečnostní pokyny

Dbejte místních předpisů a ustanovení, která se týkají přípojek vody a elektroinstalace.

## 8 Popis přístroje



- 1 Plastové horní víčko
- 2 Nástěnné závěsné lišty (u PSH 30 - 100 Si pouze nahoře)
- 3 Skříň z ocelového plechu, bíle lakovaná
- 4 Hrdlo přípojky studené vody (modré)
- 5 Hrdlo přípojky teplé vody (červené)
- 6 Plastové spodní víčko
- 7 Zakrytí spínacího prostoru s elektrickou přípojkou
- 8 Knoflík pro volbu teploty (pouze PSH 30-50 Si)
- 9 Kontrolka provozního stavu

Přístroj je vybaven smaltovaným ocelovým zásobníkem, topnou přírubou s topným tělesem z měděných trubek a ochrannou anodou.

- Přístroj může zásobovat několik odběrných míst.
- Voda se ohřívá ve vnitřní tlakové nádrži.
- Hořčíková ochranná anoda chrání smaltovanou vnitřní nádrž před korozi.
- Tepelnou izolaci tvoří ekologická a recyklovatelná polyuretanová pěna.

### 8.1 Rozsah dodávky

- Nástěnný zásobník s montážní závěsnou lištou.
- Tento návod k obsluze a instalaci.

## 9 Instalace

### 9.1 Podmínky instalace

Přístroj je určen k instalaci v nezamrzající místnosti na stěně v blízkosti hlavního odběrného místa. Instalace vně budovy není přípustná.

Dbejte následujících podkladů a pokynů:

- Místnost nesmí zamrzat; např. se jedná o koupelnu nebo prostor v domácnosti.
- Stěna, na kterou se přístroj montuje, musí být svislá a musí mít dostatečnou nosnost. Respektujte přitom hmotnost přístroje s náplní vody.
- K odvedení přebytečné vody se musí v blízkosti přístroje nacházet vhodný odtok.
- Napájení a vedení studené a teplé vody musejí být vhodné pro instalaci přístroje.

## 10 Montáž

### 10.1 Montáž přístroje

#### 10.1.1 Montáž přístroje

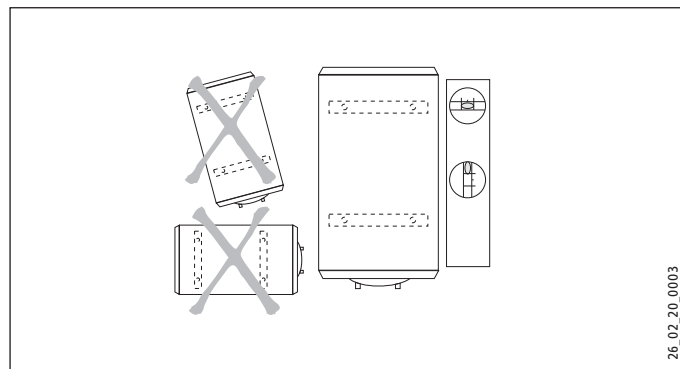
Při montáži použijte upevňovací materiál odpovídající stabilitě stěny.

Poloha pro montáž potřebných šroubů je ilustrována na obrázku v kapitole „Technické údaje“.

**!** Dávejte při vrtání pozor na napájecí vedení a potrubí probíhající ve stěně.

» Vezměte v úvahu hmotnost prázdného přístroje. Podle velikosti přístroje by zavěšení přístroje měly provést dvě osoby!

» Vyrovnajte zásobník vody do svislé polohy.



» Dotáhněte všechny šrouby/maticе.

#### 10.1.2 Vodovodní přípojka

**!** Do přívodu studené vody nainstalujte pojistný ventil.

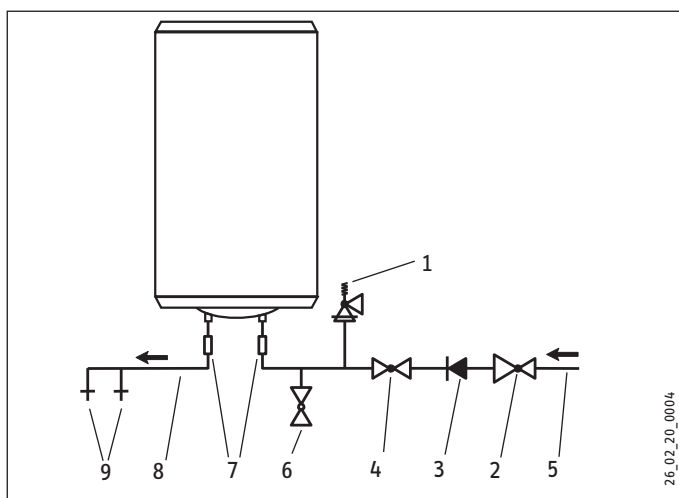
U vodovodní přípojky respektujte tento návod a místní normy a předpisy.



**Je-li tlak vody vyšší než 0,5 MPa (5 bar), je nutno do přívodu studené vody zabudovat redukční ventil.**

Vodovodní přípojka je v uzavřeném provedení (odolném proti tlaku) pro zásobování více odběrných míst. Před připojením k zásobníku vypláchněte důkladně vodovodní potrubí studenou vodou, aby se do zásobníku nebo do pojistného ventilu nedostala žádná cizí tělesa.

» Zásobník instalujte podle následujícího obrázku.



- 1 Pojistný ventil (0,6 MPa, 6 bar)
- 2 Tlakový redukční ventil (doporučuje se u tlaku vody nad 0,5 MPa (5 bar))
- 3 Zamezovač zpětného toku
- 4 Průtokový uzavírací ventil (škrtková klapka)
- 5 Přívod studené vody
- 6 Vypouštěcí kohout
- 7 Izolační připojovací tvarovka z červené mosazi nebo plastu pro studenou a teplou vodu
- 8 Přítok teplé vody
- 9 Odběrná místa

Upozornění týkající se měděných rozvodů: Měděné přípojky není dovoleno připojovat přímo na přístroj. Jako připojovací izolační tvarovky pro potrubní rozvody doporučujeme přechodové díly z červené mosazi nebo plastu.

» Průtokové množství na uzavíracím ventilu nastavte max. na 18 l/min.

### 10.1.3 Pojistný ventil

Při ohřevu dochází k rozpínání pitné vody v zásobníku a vzniku přetlaku. Pojistný ventil chrání zásobník před příliš vysokým tlakem.



#### Nebezpečí poškození!

**Zásobník je nutno instalovat s konstrukčně ověřeným membránovým pojistným ventilem, který je nutno zabudovat do potrubí studené vody. Respektujte dokumentaci dodanou s pojistným ventilem, zejména bezpečnostní pokyny a návod k obsluze.**

» Aktivujte pravidelně pojistný ventil, abyste zabránili jeho zablokování usazeninami vodního kamene.



**Odtok odkapávající vody pojistného ventilu musí zůstat vždy otevřený a nesmí se zúžit. Odtok nesmí zamrznout a musí mít neustálý spád.**

» Kontrolujte pravidelně řádnou funkci pojistného ventilu.

» Upozorněte uživatele na pojistný ventil, na jeho význam a pokyny k obsluze.

### 10.1.4 Plastové potrubní systémy

Nástěnný zásobník je vhodný pro připojení k plastovým potrubním systémům. V případě poruchy mohou teploty vystoupit až na 95 °C (max. 0,6 MPa). Používané plastové potrubní systémy musejí být pro tyto podmínky dimenzovány.

### 10.1.5 Elektrická přípojka

Elektrická přípojka musí být provedena v souladu s touto dokumentací a aktuálně platnými místními normami a předpisy.

Ve Spolkové republice Německo jsou to „Ustanovení o zřizování silnoproudých zařízení se jmenovitým napětím do 1000 V“, předpisy místního dodavatele elektrické energie a VDE 0100.

V přívodním vedení musí být k dispozici ve všech pólech rozpojovací místo s minimální vzdáleností kontaktů 3 mm. K tomuto účelu lze například použít pojistky nebo spínač.

Nástěnný zásobník je určen pouze k pevnému připojení ke zdroji napětí.

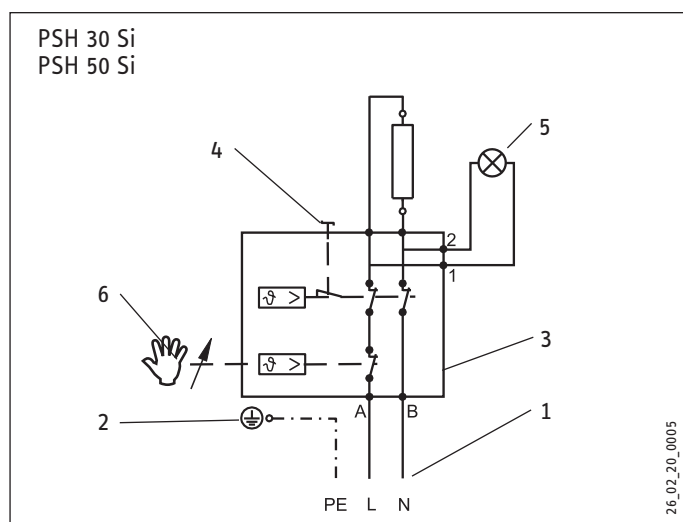
Pouze PSH 30-50 Si: Nástěnný zásobník se dodává s pružným přípojným kabelem o délce přibližně 0,95 m s koncovými objímkami.

Pokud délka kabelu nestačí, odpojte přípojný kabel v přístroji a odstraňte jej. Použijte vhodný instalační kabel (3 x 1,5 mm<sup>2</sup>).

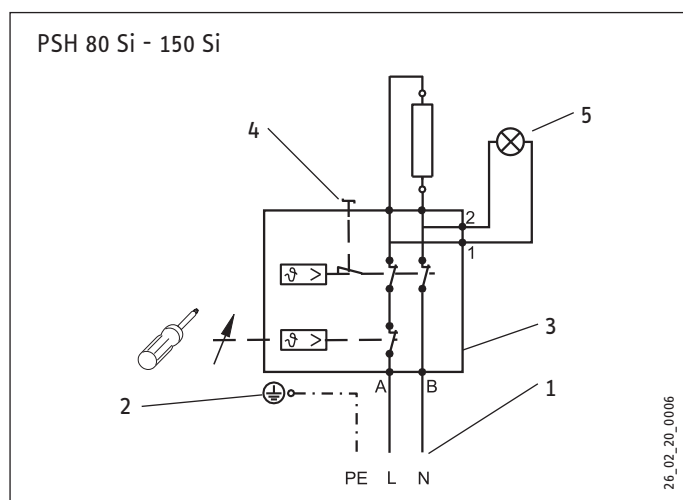
Při zapojování nového přípojného kabelu dbejte, aby byl veden vodotěsně průchodem a uvnitř přístroje odborně položen a zapojen.

# INSTALACE

## UVEDENÍ DO PROVOZU



- 1 Síťová přípojka
- 2 Přípojka ochranného vodiče
- 3 Kombinace bezpečnostního omezovače teploty a regulátoru teploty
- 4 Trubkové topné těleso s konektorem
- 5 Kontrolka provozního stavu
- 6 Knoflík pro volbu teploty



- 1 Síťová přípojka
- 2 Přípojka ochranného vodiče
- 3 Kombinace bezpečnostního omezovače teploty a regulátoru teploty
- 4 Trubkové topné těleso s konektorem
- 5 Kontrolka provozního stavu

### 10.2 Montáž příslušenství

Instalujte příslušenství podle aktuálně přiložené dokumentace.

## 11 Uvedení do provozu

První uvedení do provozu a ohřátí musí provést a kontrolovat specializovaný odborník. Podle velikosti přístroje a požadované teploty může tento postup trvat několik hodin.

### 11.1 Kontroly před uvedením do provozu

- » Zkontrolujte, zda je zásobník zavěšen svisle.

- » Zajistěte, aby bylo vypnuto síťové napětí.
- » Zkontrolujte, zda byla řádně provedena vodovodní přípojka včetně pojistného ventilu.
- » Dbejte, aby byl volič teploty otočen do polohy úplně vlevo.

### 11.2 První uvedení do provozu

- » Otevřete přívod studené vody.
- » Otevřete odběrné místo teplé vody.
- » Naplňte zásobník tak, aby z odběrného místa unikala pouze voda a již žádný vzduch.
- » Opět uzavřete odběrné místo.
- » Zapněte síťové napětí.
- » Přepněte volič teploty ve směru hodinových ručiček až na doraz vpravo. Zkontrolujte první ohřátí zásobníku. Během ohřívání svítí kontrolka provozního stavu. Vyčkejte, dokud opět nezhasne.
- » Zkontrolujte těsnost zařízení a všech konstrukčních dílů.
- » Zkontrolujte pojistný ventil a odtok odkapávající vody.
- » Nastavte volič teploty na teplotu teplé vody přiměřenou pro domácnost.

### 11.3 Vypnutí přístroje

Pokud chcete uvést přístroj mimo provoz, proveďte následující kroky:

- » Odpojte přístroj od síťového napětí.
- » Uzavřete přívod studené vody.
- » Vypusťte přístroj.

Přístroj lze vypustit pouze pomocí pojistného ventilu nebo vypouštěcím kohoutem.

- » Zcela otevřete teplovodní ventily na všech odběrných místech.
- » Otevřete pojistný ventil nebo vypouštěcí kohout.



**Nebezpečí opaření.**  
Při vypouštění může unikát horká voda.

### 11.4 Opětovné uvedení do provozu

- » Otevřete přívod studené vody.
- » Otevřete odběrné místo teplé vody.
- » Naplňte zásobník tak, aby z odběrného místa unikala pouze voda a již žádný vzduch.
- » Opět uzavřete odběrné místo.
- » Zapněte síťové napětí.

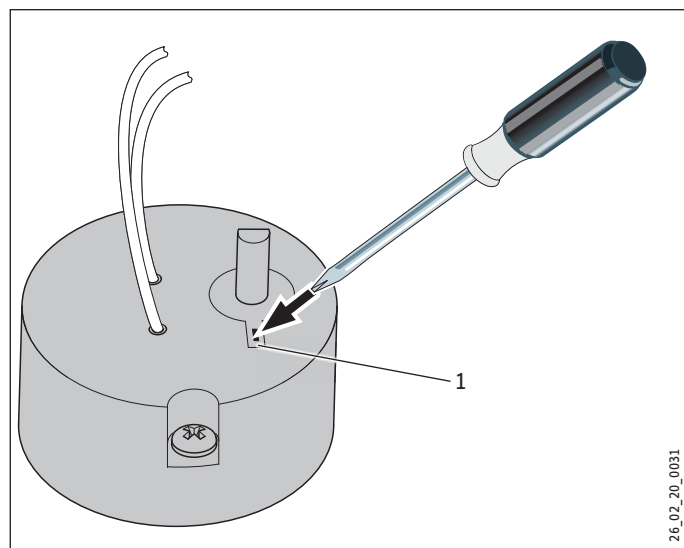
## 12 Předání přístroje

Podějte uživateli vysvětlení o přístroji a předajte mu tento návod k obsluze.

### 13 Odstraňování poruch

Kromě kontrolních kroků v kapitole „Co dělat, když ...?“ prověřte následující:

| Porucha  | Odstranění  |
|--|---|
| Nedostatek teplé vody  | Není topná příruba zanesena vodním kamenem? Pokud ano, odstraňte vodní kámen.   |
| Malé množství nebo žádná teplá voda  | Zkontrolujte regulátor a topné těleso a v případě potřeby proveďte výměnu.  |
| Není k dispozici horká voda. V důsledku přehřátí sepnul bezpečnostní omezovač teploty.                             | Přezkoumejte příčinu závady. Pokud jste nezjistili žádnou příčinu, můžete bezpečnostní omezovač teploty resetovat. Za tímto účelem stiskněte pomocí šroubováku tlačítko Reset, jak je zobrazeno níže. Pokud je topné těleso v pořádku, avšak bezpečnostní omezovač teploty stále spíná, vyměňte sestavu regulátoru a omezovače. |
| Není k dispozici horká voda. Došlo k aktivaci bezpečnostního omezovače teploty, protože teplota klesla pod -15 °C. | Stiskněte tlačítko Reset na bezpečnostním omezovači teploty.  |
| Není k dispozici horká voda. Vadná topná příruba.  | Vyměňte topnou přírubu.   |



1 Tlačítko Reset bezpečnostního omezovače teploty

### 14 Údržba

#### 14.1 Údržbářské práce

- » Zkontrolujte pojistný ventil a vypouštěcí potrubí odkapávající vody.
- » Zkontrolujte hořčíkovou ochrannou anodu a v případě potřeby ji vyměňte.
- » Odstraňte ze zásobníku uvolněné usazeniny vodního kamene.
- » V případě nutnosti odstraňte vodní kámen z vnitřní nádrže pomocí obvyklých prostředků k jeho odstranění.

Vodní kámen z přístroje odstraňujte po vyjmutí topné příruby. Na povrch zásobníku nenanášejte prostředky na odstraňování vodního kamene.

- » Zkontrolujte elektrickou přípojku, zejména přípojku zemního ochranného vodiče.

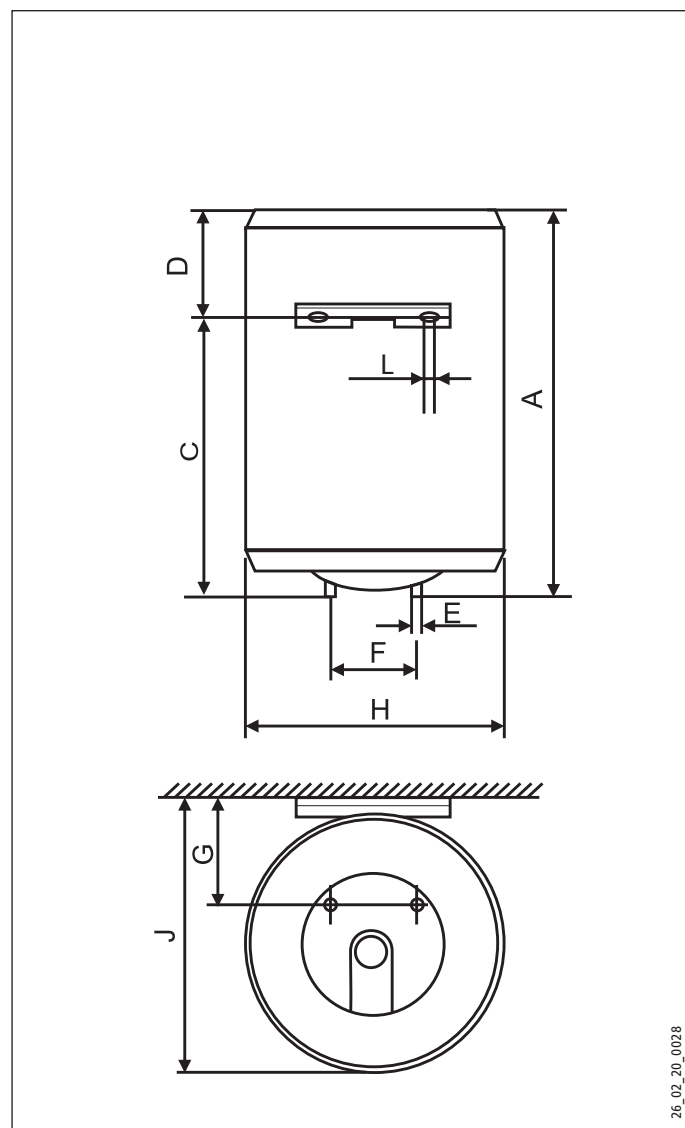
#### 14.2 Díly podléhající rychlému opotřebení

Vyměňte ochrannou hořčíkovou anodu, pokud je opotřebovaná. Používejte pouze originální náhradní díly.

## 15 Technické údaje

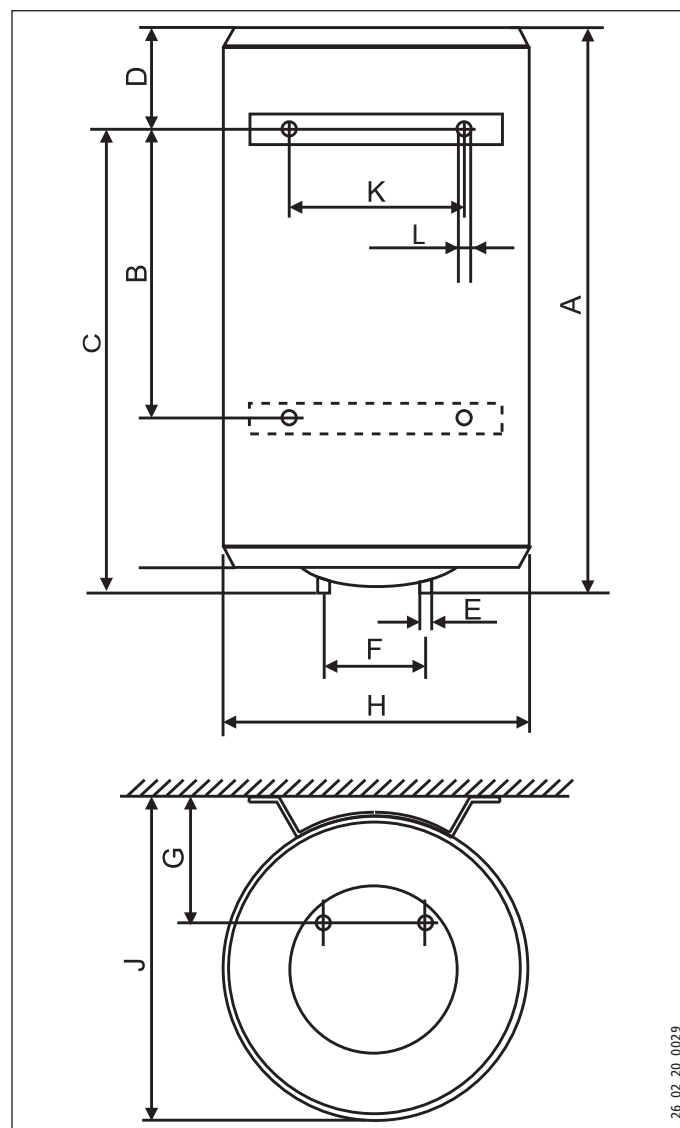
### 15.1 Kótovaný výkres

PSH 30-50 Si:



26\_02\_20\_0028

PSH 80-150 Si:



26\_02\_20\_0029

| Rozměry |    | PSH 30 Si | PSH 50 Si | PSH 80 Si | PSH 100 Si | PSH 120 Si | PSH 150 Si |
|---------|----|-----------|-----------|-----------|------------|------------|------------|
| A       | mm | 623       | 918       | 737       | 908        | 1046       | 1241       |
| B       | mm |           |           |           |            | 498        | 798        |
| C       | mm | 463       | 750       | 570       | 748        | 748        | 1048       |
| D       | mm | 160       | 168       | 120       | 113        | 251        | 146        |
| E       |    | 1/2"      | 1/2"      | 3/4"      | 3/4"       | 3/4"       | 3/4"       |
| F       | mm | 100       | 100       | 230       | 230        | 230        | 230        |
| G       | mm | 81        | 81        | 165       | 165        | 165        | 165        |
| H       | mm | 338       | 338       | 505       | 505        | 505        | 505        |
| J       | mm | 345       | 345       | 520       | 520        | 520        | 520        |
| K       | mm | 184       | 184       | 440       | 440        | 440        | 440        |
| L       | mm | 8         | 8         | 8         | 8          | 8          | 8          |

# INSTALACE

## TECHNICKÉ ÚDAJE

### 15.2 Technické údaje

| Model   | Závěsný ohřívač vody |           |           |            |            |            |        |
|---|----------------------|-----------|-----------|------------|------------|------------|--------|
| Typ   | PSH 30 Si            | PSH 50 Si | PSH 80 Si | PSH 100 Si | PSH 120 Si | PSH 150 Si |        |
| Obj. č.   | 074478               | 074479    | 074480    | 074481     | 074482     | 074483     |        |
| Jmenovité napětí                                  | ~ 230 V              |           |           |            |            |            |        |
| Příkon  | W                    | 2000      | 2000      | 2200       | 2200       | 2200       | 2200   |
| Jmenovitý objem                                   | l                    | 30        | 50        | 80         | 100        | 120        | 150    |
| Stavitelný rozsah teploty                         | °C                   | 5 - 65    | 5 - 65    | 5 - 62     | 5 - 62     | 5 - 62     | 5 - 62 |
| Pohotovostní spotřeba elektrického proudu (65 °C) | kWh/d                | 0,76      | 1,13      | 1,05       | 1,25       | 1,35       | 1,65   |
| Doba ohřívání <sup>1)</sup>                       | min                  | 57        | 96        | 130        | 175        | 210        | 270    |
| Připustný provozní přetlak                        | MPa                  | 0,6       |           |            |            |            |        |
| Krytí   | IP 25                |           |           |            |            |            |        |
| Kontrolní symbol                                  | viz výkonový štítek  |           |           |            |            |            |        |
| Rozměry a hmotnosti                               |                      |           |           |            |            |            |        |
| Hmotnost (prázdný)                                | kg                   | 14        | 17        | 26         | 31         | 34         | 40     |
| Výška   | mm                   | 623       | 918       | 737        | 908        | 1046       | 1241   |
| Šířka   | mm                   | 338       | 338       | 505        | 505        | 505        | 505    |
| Hloubka   | mm                   | 345       | 345       | 520        | 520        | 520        | 520    |

<sup>1)</sup> Teplota studené vody na vstupu 15 °C a teplota v zásobníku 65 °C

## Záruční podmínky

Uplatňování nároku na poskytnutí záruky je možné pouze v zemi, kde byl přístroj zakoupen. Obrat' se prosím na příslušné zastoupení firmy Stiebel Eltron nebo na dovozce.



**Montáž, elektroinstalaci, údržbu a první uvedení do provozu smí provádět pouze kvalifikovaný odborník.**



**Výrobce neručí za přístroje poškozené vlivem nedodržení pokynů pro montáž a provoz uvedených v příslušném montážním a provozním návodu.**

## Ekologie a recyklace

Žádáme vás, abyste nám byli nápomocni při ochraně životního prostředí. Proto odstraňte obal v souladu s platnými státními předpisy pro zpracování odpadu.

## ЭКСПЛУАТАЦИЯ

|  |           |
|--|-----------|
| <b>1 Общие указания</b>                | <b>32</b> |
| 1.1 Значение символов                  | 32        |
| <b>2 Техника безопасности</b>          | <b>33</b> |
| 2.1 Использование по назначению        | 33        |
| 2.2 Правила техники безопасности       | 33        |
| 2.3 Знак CE                            | 33        |
| <b>3 Описание прибора</b>              | <b>33</b> |
| <b>4 Эксплуатация</b>                  | <b>33</b> |
| 4.1 Сопутствующие документы            | 33        |
| 4.2 Варианты регулировок               | 33        |
| 4.3 Рекомендации по регулированию      | 34        |
| <b>5 Чистка, уход, техобслуживание</b> | <b>34</b> |
| <b>6 Что делать, если ...?</b>         | <b>35</b> |

## МОНТАЖ

|   |           |
|---|-----------|
| <b>7 Техника безопасности</b>                               | <b>36</b> |
| 7.1 Специфические национальные правила техники безопасности | 36        |
| <b>8 Описание прибора</b>                                   | <b>36</b> |
| 8.1 Объем поставки  | 36        |
| <b>9 Монтаж</b>   | <b>36</b> |
| 9.1 Условия для монтажа                                     | 36        |
| <b>10 Монтаж</b>  | <b>36</b> |
| 10.1 Монтаж прибора   | 36        |
| 10.2 Монтаж принадлежностей                                 | 38        |
| <b>11 Ввод в эксплуатацию</b>                               | <b>38</b> |
| 11.1 Контроль перед вводом в эксплуатацию                   | 38        |
| 11.2 Первый ввод в эксплуатацию                             | 38        |
| 11.3 Вывод прибора из эксплуатации                          | 38        |
| 11.4 Повторный ввод в эксплуатацию                          | 38        |
| <b>12 Передача прибора</b>                                  | <b>39</b> |
| <b>13 Устранение неисправностей</b>                         | <b>39</b> |
| <b>14 Техобслуживание</b>                                   | <b>39</b> |
| 14.1 Работы по техобслуживанию                              | 39        |
| 14.2 Быстроизнашиваемые детали                              | 39        |
| <b>15 Технические характеристики</b>                        | <b>40</b> |
| 15.1 Габаритный чертеж                                      | 40        |
| 15.2 Технические характеристики                             | 41        |

## ГАРАНТИЯ

## ОКРУЖАЮЩАЯ СРЕДА И ВТОРСЫРЬЁ

## 1 Общие указания

Глава «Управление» предназначена для пользователя и специалиста.

Глава «Монтаж» предназначена для специалиста.



### Следует ознакомиться!

Следует внимательно прочитать данное руководство и хранить его в течение всего срока эксплуатации. В случае передачи устройства другому пользователю необходимо передать ему и руководство по эксплуатации.

### 1.1 Значение символов

**1.1.1 Символы, используемые в данном руководстве**  
В данном руководстве встречаются следующие символы и подчеркивания. Они имеют следующее значение:



#### Травмоопасно!

Указание на риск получения травмы!



#### Опасно для жизни! Высокое напряжение!



#### Опасность получения ожога горячей водой!



#### Внимание!

Предупреждение о наличии опасности. Возможно повреждение прибора или нанесение вреда окружающей среде. Возможно причинение материального ущерба.



### Следует ознакомиться!

Следует внимательно прочитать пояснения к символам.

» Предложения, перед которыми стоит этот символ, содержат подробное описание последовательности действий, необходимых в данной ситуации.

– Предложения, отмеченные этим символом, являются перечислением.

### 1.1.2 Символы на приборе

На маркировочной табличке устройства изображены следующие символы. Они имеют следующее значение:



#### Утилизация!

Устройства с такой маркировкой запрещается выбрасывать в контейнер для бытовых отходов. Утилизировать данные устройства следует отдельно.



## 2 Техника безопасности

### 2.1 Использование по назначению

Прибор предназначен исключительно для нагрева питьевой воды.

Иное использование данного устройства не является использованием по назначению. Запрещается нагревать иные жидкости или материалы.

Использование по назначению также подразумевает соблюдение положений настоящего руководства.

### 2.2 Правила техники безопасности

**Соблюдайте следующие указания и инструкции по технике безопасности.**

Любые действия вплоть до первого ввода в эксплуатацию настоящего прибора должны осуществляться только специалистом.

Электроподключение и подключение воды должны осуществлять только специалисты или наши технические работники сервисной службы.

Специалист несет ответственность за соблюдение действующих правил во время монтажа и первого ввода в эксплуатацию.

Прибор следует использовать только в полностью собранном виде с установленными защитными устройствами.



**Опасность получения ожога горячей водой!**  
На арматуре для отбора температура горячей воды может достигать 65 °C (PSH 30-50 Si) / 62 °C (PSH 80-150 Si). При температуре воды на выходе выше 43 °C существует опасность получения ожога. Маленькие дети не должны иметь возможности доступа к арматуре для отбора воды.



**Травмоопасно!**  
Управление прибором детьми или лицами с ограниченными физическими, сенсорными и умственными способностями должно происходить только под присмотром или после соответствующего инструктажа, проведенного лицом, отвечающим за их безопасность.

**Не допускайте, чтобы дети баловались с прибором!**

### 2.3 Знак CE

Знак CE свидетельствует, что прибор соответствует всем основным требованиям:

- Директива об электромагнитной совместимости
  - Директива по низковольтному оборудованию
- Заводская табличка находится на нижней стороне прибора.

## 3 Описание прибора

Настенный бойлер постоянно поддерживает предварительно заданную температуру питьевой воды. Вода нагревается с помощью электрических нагревательных элементов.

Заводская предварительная установка прибора 65 °C (PSH 30-50 Si) / 62 °C (PSH 80-150 Si). Регулировку температуры на приборах типа PSH 80-150 Si должен выполнять только специалист.

Излишки воды, образующиеся при тепловом расширении, отводятся через предохранительный клапан. Внутренний бак бойлера защищен от коррозии эмалевым покрытием в сочетании с установленным магниевым защитным анодом.

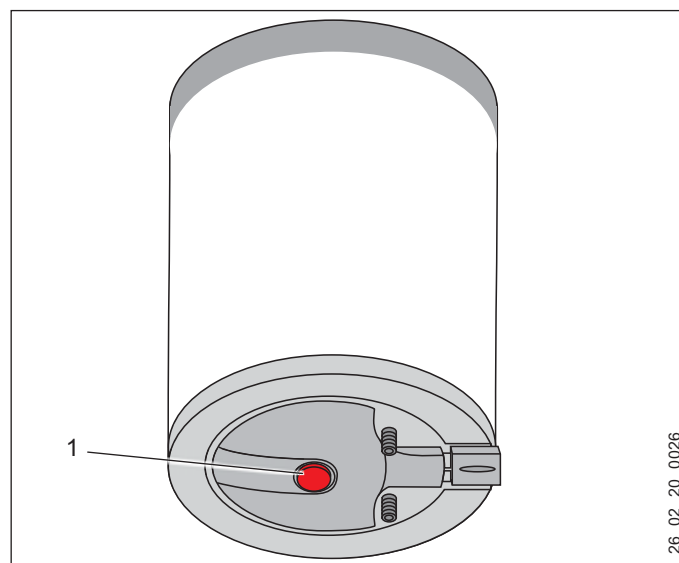
## 4 Эксплуатация

### 4.1 Сопутствующие документы

Во время эксплуатации необходимо также соблюдать руководства по эксплуатации соответствующего дополнительного оборудования, а также возможно имеющихся дополнительных устройств.

### 4.2 Варианты регулировок

#### 4.2.1 Регулировка температуры PSH 30-50 Si

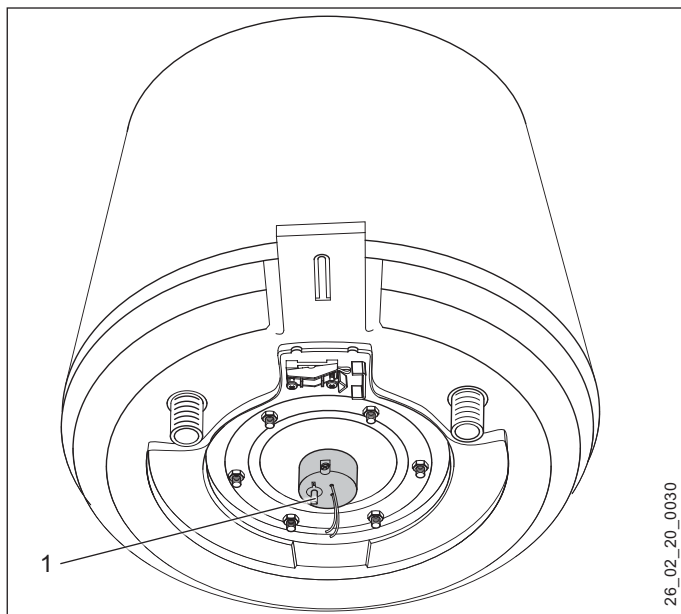


1 Переключатель температуры (только на PSH 30-50 Si)

Температура воды в бойлере выбирается путем поворота регулятора температуры. Для повышения температуры поворачивайте его по часовой стрелке, для уменьшения температуры - против часовой стрелки.

При падении температуры воды в бойлере ниже установленного значения автоматически включается нагрев. Рабочий индикатор горит до тех пор, пока не выключится дополнительный нагрев и вновь не будет достигнуто заданное значение температуры.

### 4.2.2 Регулировка температуры PSH 80-150 Si



#### 1 Переключатель температуры

Температуру, установленную на заводе, может изменить специалист. Для этого находящийся в приборе регулятор температуры необходимо повернуть в нужное положение (позиция 5 соответствует примерно 62 °C).

### 4.3 Рекомендации по регулированию

#### 4.3.1 Температура воды

Температуру воды можно регулировать плавно и по мере необходимости. Диапазон регулирования составляет ок. 5 °C - ок. 65 °C (PSH 80-150 Si: 5 °C - ок. 62 °C).

При низком расходе воды или при очень жесткой воде рекомендуется устанавливать низкую температуру воды в бойлере, поскольку в воде, начиная с температуры ок. 55 °C, осаждаются содержащаяся в ней известь.

#### 4.3.2 В период отпуска и отсутствия

При длительном отсутствии, например, во время отпуска, прибор по причинам энергосбережения необходимо устанавливать на защиту от замерзания или отключать от сети. При этом соблюдайте указания в главе Защита от замерзания.

#### 4.3.3 Редкое использование

При использовании прибора лишь в редких случаях, например, на даче, прибор на период отсутствия необходимо переключать в положение для защиты от замерзания или отключать от сети. По санитарно-гигиеническим причинам содержимое бойлера перед первым использованием необходимо нагреть до температуры выше 60 °C.

#### 4.3.4 Защита от замерзания

В положении для защиты от замерзания от заморзков защищен бойлер, но не предохранительный клапан и водопроводная линия в квартире или в доме. На отключенном от сети приборе защита бойлера от замерзания не обеспечивается. В этом случае при ожидании заморзков бойлер необходимо опорожнить.

» Подключите линию питания холодной воды к бойлеру.

» Откройте точку отбора горячей воды.

» Откройте сливной вентиль или сливной вентиль на предохранительном клапане и полностью опорожните бойлер.



**Опасность получения ожога горячей водой.**  
При сливе воды из прибора может вытекать горячая вода.

## 5 Чистка, уход, техобслуживание

Для ухода за корпусом достаточно влажной ткани. Не используйте абразивные или разъедающие чистящие средства!

» Периодически проверяйте арматуру. Удаляйте отложения извести на сливах в арматуре с помощью стандартных средств для удаления накипи.

» Периодически приводите предохранительный клапан в действие для предотвращения его заедания из-за отложений извести.

» Проверьте надлежащую работоспособность предохранительного клапана путем приподнимания или поворота головки. При этом из предохранительного клапана выходит вода!

Слив для капающей воды с предохранительного клапана должен всегда оставаться открытым для отвода в атмосферу и его нельзя ни заужать, ни забивать.

Направьте слив для капающей воды в сливную трубу, защищенную от замерзанию, с постоянным уклоном вниз, обеспечивающим беспрепятственный сток воды.



**Обеспечьте регулярную проверку прибора и предохранительного клапана силами специалистов.**



**Опасно для жизни! Высокое напряжение!**  
Работы по техническому обслуживанию как, например, проверка электрических предохранителей, должны проводиться только специалистом.

Для обеспечения длительного срока службы установленный в приборе магниевый защитный анод рекомендуется подвергнуть контролю специалистом через первый год эксплуатации. Дальнейшая периодичность техобслуживания устанавливается специалистом. В регионах с особо агрессивной водой может требоваться ежегодное техобслуживание.

### 6 Что делать, если ...?

| Неисправность                      | Способы устранения неисправностей  |
|------------------------------------|--|
| Нет горячей воды                   | Пропало напряжение (предохранитель или силовой выключатель)? Если да, то включите вновь предохранитель или силовой выключатель и дождитесь, когда бойлер вновь нагреется. Если предохранитель после включения вновь срабатывает, сообщите об этом специалисту. |
| Нет горячей воды                   | Установлена достаточно высокая температура? Установите температуру чуть выше.  |
| Нет горячей воды                   | Горит рабочий индикатор? Если рабочий индикатор горит, прибор нагревает содержимое бойлера. Это может быть необходимо, например, из-за предыдущего отбора большого объема горячей воды. Дождитесь, когда рабочий индикатор вновь погаснет.                     |
| Нет горячей воды                   | Горит рабочий индикатор? Если рабочий индикатор не горит и проверены все другие причины, это может указывать на срабатывание предохранительного теплового реле. Сообщите об этом специалисту.  |
| Слишком мало горячей воды          | Правильно отрегулирована температура? Если все другие причины неисправностей исключены, то, возможно, выбран прибор слишком малой мощности. Соблюдайте при этом также максимальный объем отбора горячей воды, указанный в главе «Технические данные»           |
| Малый объем горячей воды на выходе | Не заизвестковались ли точки отбора? Известь в точках отбора снижает объем на выходе. Удалите известь и почистите выпускную арматуру. Если неисправность в результате этого не устраняется, сообщите об этом специалисту.                                      |
| Течет предохранительный клапан     | Во время подогрева это нормально. Если предохранительный клапан течет и после завершения процесса нагрева, то в этом случае предупредите специалиста.  |

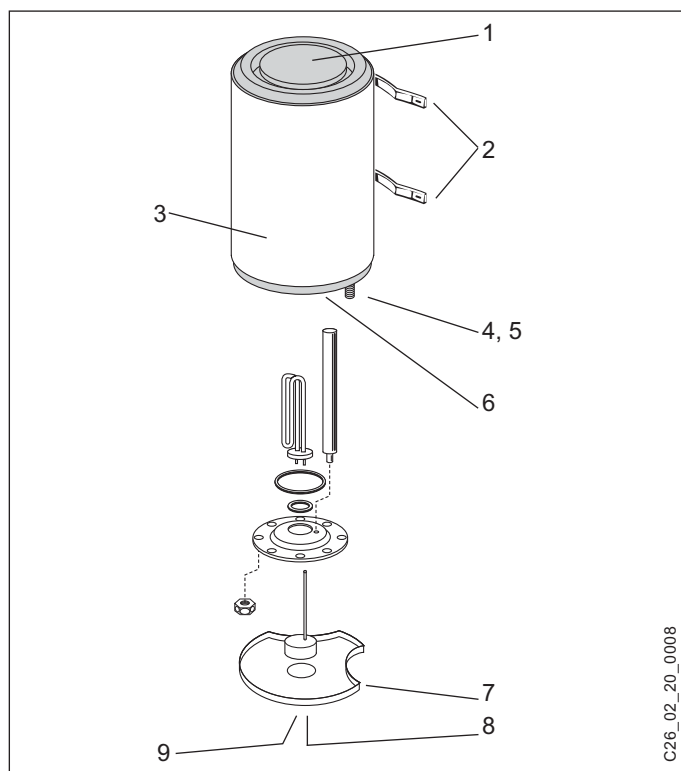
## 7 Техника безопасности

Используйте только оригинальные запчасти.

### 7.1 Специфические национальные правила техники безопасности

Соблюдайте специфические национальные правила и предписания относительно подключения воды и электричества.

## 8 Описание прибора



- 1 Пластмассовая верхняя крышка
- 2 Планки для настенного монтажа (на PSH 30 - 100 Si только вверху)
- 3 Корпус из металлического листа, покрыт лаком белого цвета
- 4 Штуцер для подключения холодной воды (синий)
- 5 Штуцер для подключения горячей воды (красный)
- 6 Пластмассовая нижняя крышка
- 7 Крышка распределительного отсека с электроподключением
- 8 Переключатель температуры (только PSH 30-50 Si)
- 9 Рабочий индикатор

Прибор оснащен стальной емкостью с эмалевым покрытием, нагревательным фланцем с медным трубчатый нагревательным элементом и защитным анодом.

- Прибор может обеспечивать горячей водой несколько точек отбора.
- Вода нагревается в герметичном внутреннем баке.
- Эмалированный внутренний бак защищен от коррозии магниевым защитным анодом.
- Теплоизоляция состоит из экологичного вспененного полиуретана, пригодного для переработки и вторичного использования.

### 8.1 Объем поставки

- Бойлер с установленной планкой для подвешивания
- Настоящее руководство по эксплуатации и монтажу

## 9 Монтаж

### 9.1 Условия для монтажа

Прибор предназначен для монтажа в отапливаемом помещении на стене рядом с главной точкой отбора. Монтаж вне здания не допускается.

Соблюдайте следующие предписания и указания:

- Помещение, например, ванная или кухня, должно отапливаться
- Стена, на которую устанавливается прибор, должна быть вертикальной и прочной. Учитывайте при этом вес заполненного водой прибора.
- Рядом с прибором должен находиться соответствующий слив для отвода излишков воды, образующихся в результате теплового расширения.
- Питание, а также линии холодной и горячей воды должны быть пригодны для монтажа прибора.

## 10 Монтаж

### 10.1 Монтаж прибора

#### 10.1.1 Монтаж прибора

Используйте для монтажа крепежный материал с учетом прочности стены.

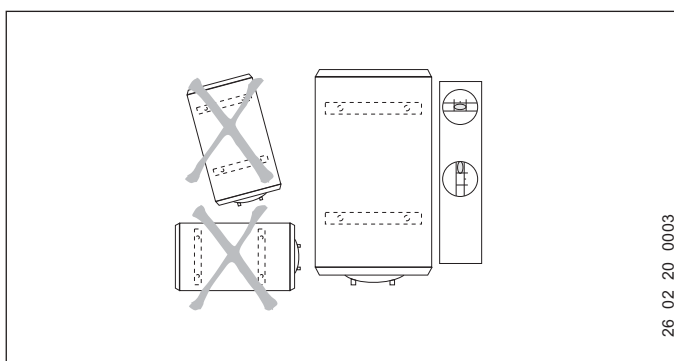
Положение винтов, требующихся для монтажа, изображено на рисунке в главе «Технические данные».



**При сверлении учитывайте проходящие в стене кабели питания и каналы.**

» Учитывайте вес порожнего прибора. В зависимости от размера прибора подвешивать необходимо вдвоем!

» Выровняйте прибор вертикально.



» Затяните все болты/гайки.

## 10.1.2 Патрубок для воды



**Установите предохранительный клапан на подводе холодной воды.**

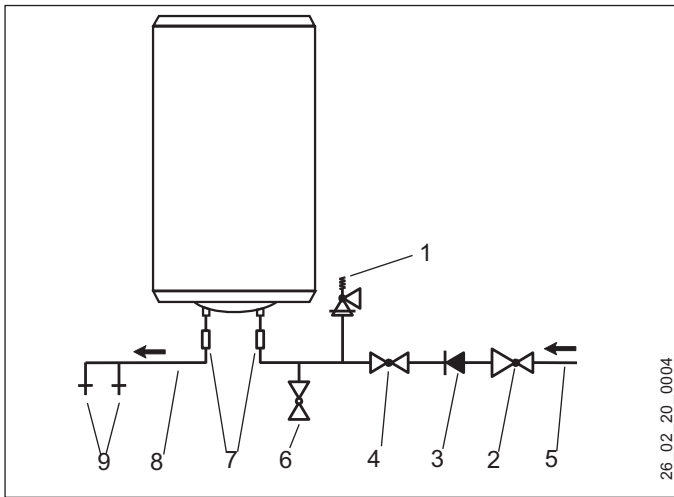
При подключении воды соблюдайте требования настоящего руководства, а также специфические национальные нормы и правила.



**Если давление воды выше 0,5 МПа (5 бар), на линии подачи холодной воды необходимо устанавливать редуктор.**

Подключение воды осуществляется скрыто (герметично) для снабжения водой нескольких точек отбора. Прежде чем подключать линию холодной воды к бойлеру, пропустите через нее достаточное количество воды, чтобы в бойлер или в предохранительный клапан не попали инородные тела.

» Подключите бойлер в соответствии со следующей схемой.



- 1 Предохранительный клапан (0,6 МПа, 6 бар)
- 2 Редуктор (рекомендуется при напоре воды более 0,5 МПа (5 бар))
- 3 Обратный клапан
- 4 Проходной запорный клапан (дроссель)
- 5 Подвод холодной воды
- 6 Сливной кран
- 7 Соединительный изолирующий элемент из красной латуни или пластмассы для холодной и горячей воды
- 8 Подвод горячей воды
- 9 Точки отбора

Указание для медных трубопроводов: Запрещается монтаж соединений из меди непосредственно на приборе. В качестве соединительных изолирующих элементов для соединения труб мы рекомендуем красную латунь или пластмассовые переходники.

» Установите расход на проходном запорном клапане макс. на 18 л/мин.

## 10.1.3 Предохранительный клапан

В результате нагрева питьевая вода в баке бойлера расширяется и создает в нем избыточное давление. Предохранительный клапан защищает бойлер от недопустимо высокого давления.



**Опасность повреждения!**

**Бойлер необходимо устанавливать с мембранным предохранительным клапаном проверенного типа, врезаемого в линию холодной воды. Учитывайте документацию, прилагаемую к предохранительному клапану, в частности указания по технике безопасности и эксплуатации.**

» Периодически приводите предохранительный клапан в действие для предотвращения его заедания из-за отложений извести.



**Слив для капающей воды с предохранительного клапана должен всегда оставаться открытым для отвода в атмосферу и его нельзя заужать. Слив должен быть незамерзающим и иметь постоянный уклон.**

» Проверьте надлежащую работоспособность предохранительного клапана.

» Обратите внимание пользователя на предохранительный клапан, его значение и на то, как им управлять.

## 10.1.4 Системы пластиковых труб

Настенный бойлер может подключаться к системе пластиковых труб. В случае неисправности возможен рост температуры до 95 °С (макс. 0,6 МПа). Используемые системы пластиковых труб должны быть рассчитаны на такие нагрузки.

## 10.1.5 Электрическое подключение

Электрическое подключение необходимо осуществлять с учетом настоящего руководства, а также соответствующих действующих норм и правил, специфических для страны, где эксплуатируется бойлер.

В Федеративной Республике Германия к таковым относятся «Правила монтажа силовых установок номинальным напряжением до 1000 В» и предписания местных предприятий энергообеспечения, а также VDE 0100.

На каждом полюсе должно устанавливаться устройство расцепления с зазором между разомкнутыми контактами не менее 3 мм. Для этого можно использовать, например, предохранители или выключатели.

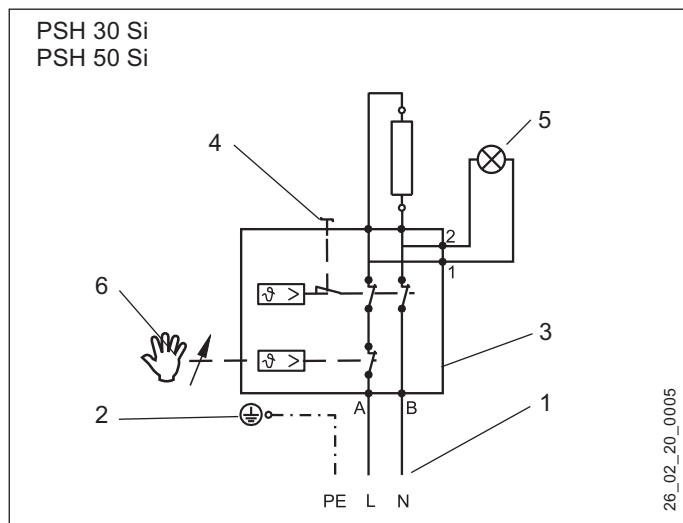
Настенный бойлер предназначен только для стационарного подключения к питанию.

только на PSH 30-50 Si: Настенный бойлер поставляется с подготовленным гибким соединительным кабелем длиной около 0,95 метра и наконечниками для жил.

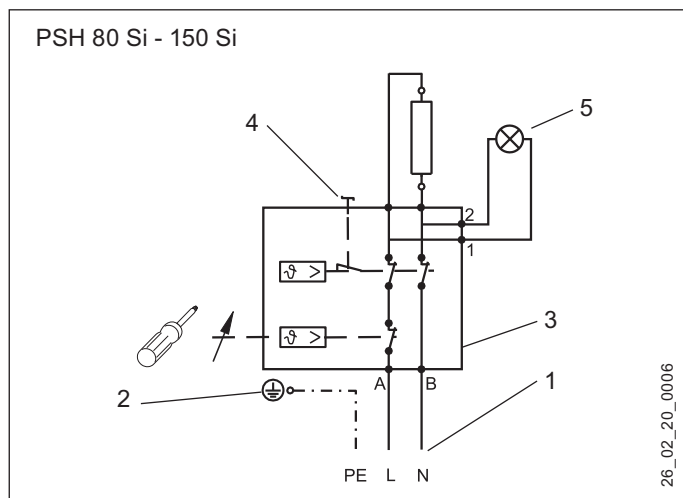
Если длина кабеля недостаточна, отсоедините соединительный кабель от клемм в приборе и удалите его. Используйте соответствующий электромонтажный кабель (3 x 1,5 мм<sup>2</sup>).

При укладке нового соединительного кабеля обеспечьте, чтобы место, где он будет проходить через существующий проход для кабеля, было заделано, и он был правильно проложен и подключен внутри прибора.

# МОНТАЖ ВВОД В ЭКСПЛУАТАЦИЮ



- 1 Питание от сети
- 2 Подключение защитного провода
- 3 Комбинация Предохранительный ограничитель температуры-Регулятор температуры
- 4 Трубчатый нагревательный элемент контактного соединения
- 5 Рабочий индикатор
- 6 Регулятор температуры



- 1 Питание от сети
- 2 Подключение защитного провода
- 3 Комбинация Предохранительный ограничитель температуры-Регулятор температуры
- 4 Трубчатый нагревательный элемент контактного соединения
- 5 Рабочий индикатор

## 10.2 Монтаж принадлежностей

Монтируйте принадлежности в соответствии с прилагаемой документацией.

## 11 Ввод в эксплуатацию

Первый ввод в эксплуатацию и первый подогрев должен выполняться и контролироваться специалистом.

В зависимости от размера прибора и заданной температуры это может занимать несколько часов.

### 11.1 Контроль перед вводом в эксплуатацию

- » Проверьте, повешен ли бойлер вертикально.
- » Удостоверьтесь, что сетевое напряжение выключено.
- » Проверьте, правильно ли подключена водопроводная линия и врезан ли в нее предохранительный клапан.
- » Удостоверьтесь, что регулятор температуры повернут влево до упора.

### 11.2 Первый ввод в эксплуатацию

- » Откройте подачу холодной воды.
- » Откройте точку отбора горячей воды.
- » Заполняйте бойлер водой до тех пор, пока из точки для отбора не перестанет выходить воздух.
- » Закройте точку отбора.
- » Включите сетевое напряжение!
- » Поверните регулятор температуры по часовой стрелке вправо до упора. Проконтролируйте первый подогрев на бойлере. Во время подогрева горит рабочий индикатор. Дождитесь, когда он вновь погаснет.
- » Проверьте систему и все узлы на герметичность.
- » Поверьте предохранительный клапан и слив для капающей воды.
- » Установите регулятор температуры на соответствующую для хозяйственных целей температуру горячей воды.

### 11.3 Вывод прибора из эксплуатации

Если прибор необходимо вывести из эксплуатации, выполните следующие действия:

- » Отключите прибор от сети.
- » Закройте подачу холодной воды.
- » Опорожните прибор.

Опорожнение прибора может осуществляться только через предохранительный клапан или сливной кран.

- » Откройте полностью краны горячей воды на всех точках отбора.
- » Откройте предохранительный клапан или сливной кран.



**Опасность получения ожога горячей водой. При сливе воды из прибора может вытекать горячая вода.**

### 11.4 Повторный ввод в эксплуатацию

- » Откройте подачу холодной воды.
- » Откройте точку отбора горячей воды.
- » Заполняйте бойлер водой до тех пор, пока из точки для отбора не перестанет выходить воздух.

» Закройте точку отбора.

» Включите сетевое напряжение!

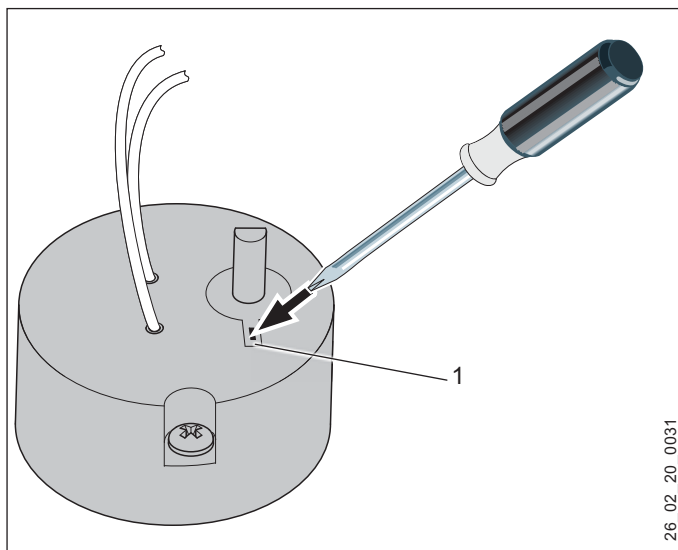
## 12 Передача прибора

Объясните пользователю назначение прибора и передайте ему настоящее руководство по эксплуатации.

## 13 Устранение неисправностей

Дополнительно к шагам по контролю в главе «Что делать, если ...?» проверьте следующее:

| Неисправность   | Способ устранения  |
|---|--|
| Слишком мало горячей воды   | Накипь на нагревательном фланце? При необходимости удалите с него накипь.  |
| Мало горячей воды или ее нет вообще   | Проверьте регулятор и нагревательные элементы, при необходимости замените их.  |
| Нет горячей воды. Предохранительный ограничитель температуры сработал из-за перегрева.                      | Выясните причину неисправности. Если выяснить причину невозможно, можно сбросить предохранительный ограничитель температуры. Нажмите для этого в соответствии с нижеследующим рисунком отверткой на кнопку сброса. Если нагревательный элемент в порядке, а предохранительный ограничитель температуры продолжает срабатывать, тогда замените комбинацию Регулятор-Ограничитель. |
| Нет горячей воды. Сработал защитный ограничитель температуры, поскольку температура опустилась ниже -15 °С. | Нажмите кнопку сброса предохранительного ограничителя температуры.   |
| Нет горячей воды. Неисправен нагревательный фланец.   | Замените нагревательный фланец.  |



1 Кнопка сброса предохранительного ограничителя температуры

## 14 Техобслуживание

### 14.1 Работы по техобслуживанию

» Проверьте предохранительный клапан, а также слив для капающей воды.

» Проверьте магниевый защитный анод и при необходимости замените его.

» Удалите из бойлера отслоившиеся отложения накипи.

» При необходимости удалите накипь во внутреннем баке с помощью стандартных средств для удаления накипи.

Удаляйте накипь из прибора лишь после демонтажа нагревательного фланца. Не обрабатывайте поверхность емкости средством для удаления накипи.

» Проверьте электрические соединения, в частности, соединение с заземлением.

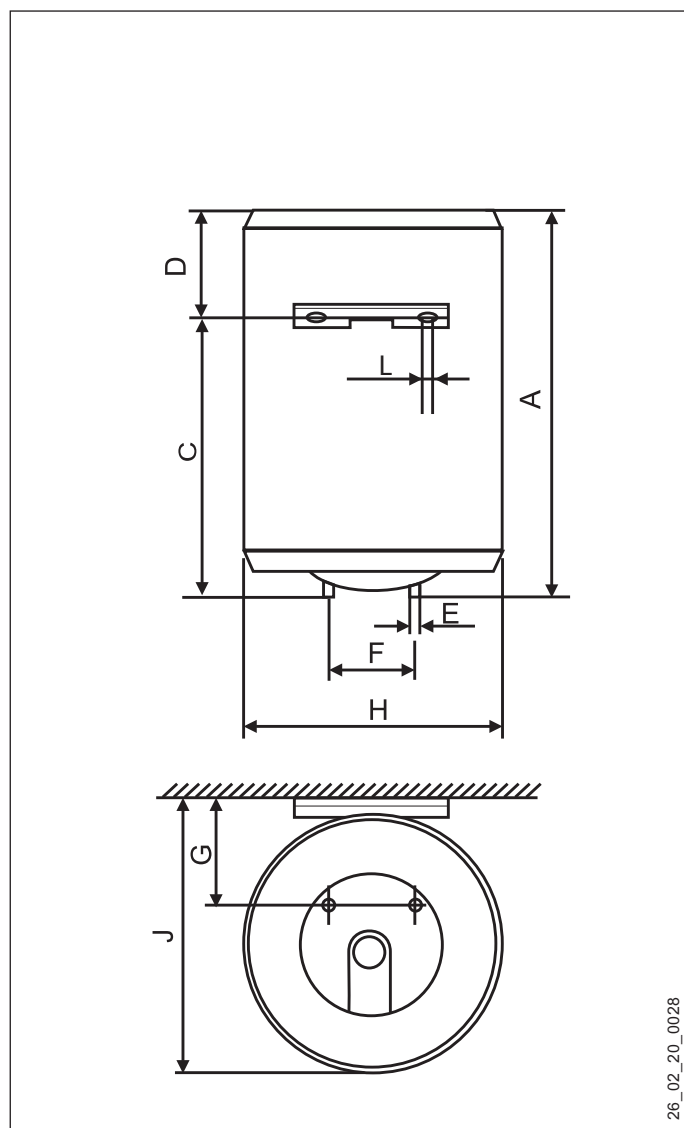
### 14.2 Быстроизнашиваемые детали

При расходе магниевого защитного анода замените его. Используйте только оригинальные запчасти.

## 15 Технические характеристики

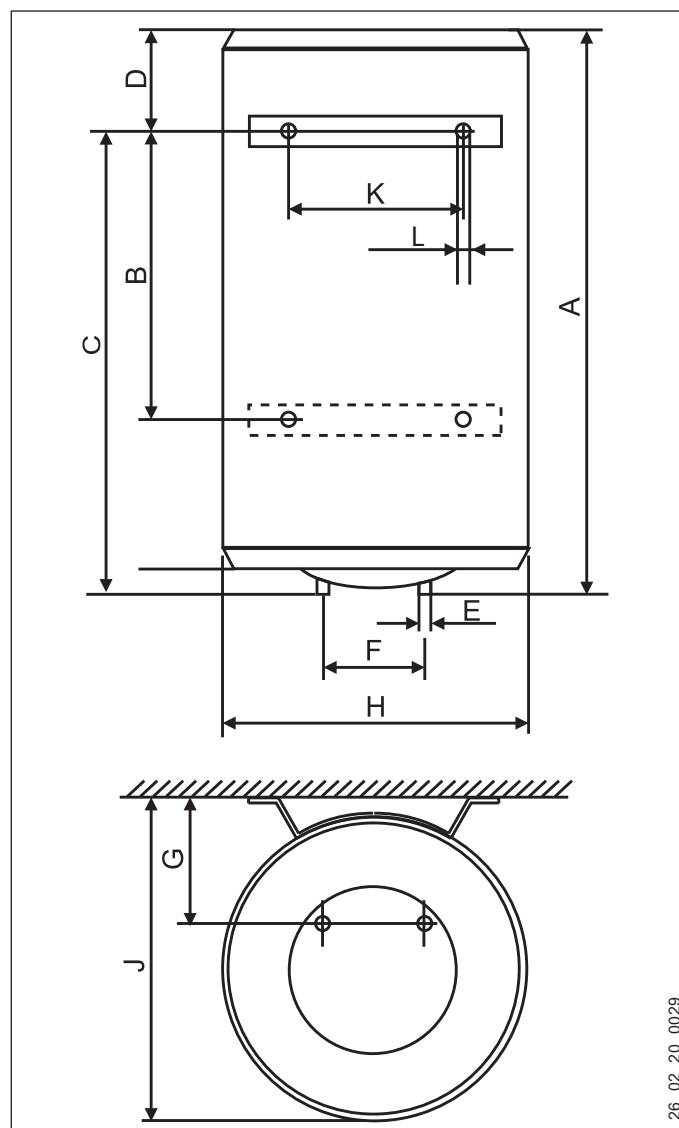
### 15.1 Габаритный чертёж

PSH 30-50 Si:



26\_02\_20\_0028

PSH 80-150 Si:



26\_02\_20\_0029

| Размеры |    | PSH 30 Si | PSH 50 Si | PSH 80 Si | PSH 100 Si | PSH 120 Si | PSH 150 Si |
|---------|----|-----------|-----------|-----------|------------|------------|------------|
| A       | MM | 623       | 918       | 737       | 908        | 1046       | 1241       |
| B       | MM |           |           |           |            | 498        | 798        |
| C       | MM | 463       | 750       | 570       | 748        | 748        | 1048       |
| D       | MM | 160       | 168       | 120       | 113        | 251        | 146        |
| E       |    | 1/2"      | 1/2"      | 3/4"      | 3/4"       | 3/4"       | 3/4"       |
| F       | MM | 100       | 100       | 230       | 230        | 230        | 230        |
| G       | MM | 81        | 81        | 165       | 165        | 165        | 165        |
| H       | MM | 338       | 338       | 505       | 505        | 505        | 505        |
| J       | MM | 345       | 345       | 520       | 520        | 520        | 520        |
| K       | MM | 184       | 184       | 440       | 440        | 440        | 440        |
| L       | MM | 8         | 8         | 8         | 8          | 8          | 8          |



## 15.2 Технические характеристики

| Модель                                       | Настенный бойлер |                        |           |           |            |            |            |
|--|------------------|------------------------|-----------|-----------|------------|------------|------------|
|  | Тип              | PSH 30 Si              | PSH 50 Si | PSH 80 Si | PSH 100 Si | PSH 120 Si | PSH 150 Si |
| № для заказа                                 |                  | 074478                 | 074479    | 074480    | 074481     | 074482     | 074483     |
| Номинальное напряжение                       |                  | ~ 230 V                |           |           |            |            |            |
| Потребляемая мощность                        | Вт               | 2000                   | 2000      | 2200      | 2200       | 2200       | 2200       |
| Номинальный объем                            | л                | 30                     | 50        | 80        | 100        | 120        | 150        |
| Диапазон регулировки температуры             | °C               | 5 - 65                 | 5 - 65    | 5 - 62    | 5 - 62     | 5 - 62     | 5 - 62     |
| Потребляемый ток в режиме готовности (65 °C) | кВт*ч/день       | 0.76                   | 1.13      | 1.05      | 1.25       | 1.35       | 1.65       |
| Время нагрева <sup>1)</sup>                  | min              | 57                     | 96        | 131       | 175        | 210        | 262        |
| Допустимое рабочее давление                  | МПа              | 0.6                    |           |           |            |            |            |
| Класс защиты                                 |                  | IP 25                  |           |           |            |            |            |
| Знак технического контроля                   |                  | см. заводскую табличку |           |           |            |            |            |
| Размеры и вес                                |                  |                        |           |           |            |            |            |
| Вес (порожного)                              | кг               | 14                     | 17        | 26        | 31         | 34         | 40         |
| Высота                                       | мм               | 623                    | 918       | 737       | 908        | 1046       | 1241       |
| Ширина                                       | мм               | 338                    | 338       | 505       | 505        | 505        | 505        |
| Глубина                                      | мм               | 345                    | 345       | 520       | 520        | 520        | 520        |

<sup>1)</sup> Температура холодной воды на входе 15 °C и температура в бойлере 65 °C

## Гарантия

Условия и порядок гарантийного обслуживания определяются отдельно для каждой страны. За информацией о гарантии и гарантийном обслуживании обратитесь пожалуйста в представительство Stiebel Eltron в Вашей стране.



**Монтаж прибора, первый ввод в эксплуатацию и обслуживание могут проводиться только компетентным специалистом в соответствии с данной инструкцией.**



**Непринимаются претензии по неисправностям, возникшим вследствие неправильной установки и эксплуатации прибора.**

## Окружающая среда и вторсырьё

Мы просим вашего содействия в защите окружающей среды. Выбрасывая упаковку, соблюдайте правила переработки отходов, установленные в вашей стране.

### ОБСЛУЖВАНЕ

|          |   |           |
|----------|---|-----------|
| <b>1</b> | <b>Общи указания</b>                                | <b>42</b> |
| 1.1      | Пояснение на символите                              | 42        |
| <b>2</b> | <b>Безопасност</b>                                  | <b>43</b> |
| 2.1      | Използване по предназначение                        | 43        |
| 2.2      | Указания за безопасност                             | 43        |
| 2.3      | Знак CE   | 43        |
| <b>3</b> | <b>Описание на уреда</b>                            | <b>43</b> |
| <b>4</b> | <b>Обслужване</b>                                   | <b>43</b> |
| 4.1      | Допълнителни валидни документи                      | 43        |
| 4.2      | Възможности за настройка                            | 43        |
| 4.3      | Препоръки за настройки                              | 44        |
| <b>5</b> | <b>Почистване, поддръжка, техническо обслужване</b> | <b>44</b> |

### ИНСТАЛИРАНЕ

|           |  |           |
|-----------|--|-----------|
| <b>6</b>  | <b>Какво се прави при ...?</b>                         | <b>45</b> |
| <b>7</b>  | <b>Безопасност</b>                                     | <b>46</b> |
| 7.1       | Специфични за отделните страни указания за безопасност | 46        |
| <b>8</b>  | <b>Описание на уреда</b>                               | <b>46</b> |
| 8.1       | Комплект на доставката                                 | 46        |
| <b>9</b>  | <b>Инсталиране</b>                                     | <b>46</b> |
| 9.1       | Инсталационни условия                                  | 46        |
| <b>10</b> | <b>Монтаж</b>  | <b>46</b> |
| 10.1      | Монтаж на уреда  | 46        |
| 10.2      | Монтаж на аксесоари                                    | 48        |
| <b>11</b> | <b>Пускане в експлоатация</b>                          | <b>48</b> |
| 11.1      | Проверки преди пускането в експлоатация                | 48        |
| 11.2      | Първоначално пускане в експлоатация                    | 48        |
| 11.3      | Спиране на уреда от експлоатация                       | 48        |
| 11.4      | Повторно пускане в експлоатация                        | 48        |
| <b>12</b> | <b>Предаване на уреда</b>                              | <b>49</b> |
| <b>13</b> | <b>Отстраняване на повреди</b>                         | <b>49</b> |
| <b>14</b> | <b>Техническо обслужване</b>                           | <b>49</b> |
| 14.1      | Работи по техническото обслужване                      | 49        |
| 14.2      | Износващи се части                                     | 49        |
| <b>15</b> | <b>Технически данни</b>                                | <b>50</b> |
| 15.1      | Окачване на стена                                      | 50        |
| 15.2      | Технически данни                                       | 51        |

### ЕГГЭЗУЗ

### ОКОЛНА СРЕДА И РЕЦИКЛИРАНЕ

## 1 Общи указания

Главатa **Обслужване** е предназначена за потребителя и специалиста.

Главатa **Инсталиране** е предназначена за специалиста.



#### Прочетете!

Прочетете това ръководство внимателно и го запазете. Предавайте ръководството заедно с уреда на евентуалния следващ потребител.

### 1.1 Пояснение на символите

#### 1.1.1 Символи в документацията:

В документацията ще срещнете символи и почернени текстове. Тяхното значение е следното:



**Опасност от нараняване!**

Информация за рискове от нараняване!



**Опасност за живота вследствие токов удар!**



**Опасност от попарване!**



**Внимание!**

Информация за съществуваща опасност. Възможни са повреди на уреда или щети за околната среда. Възможни са и икономически щети.



#### Прочетете!

Прочетете внимателно текста в страни от символа.

» Пасажи с този символ отпред посочват необходими действия, които се описват стъпка по стъпка.

– Пасажи с този символ посочват изброявания.

#### 1.1.2 Символи на уреда

На фирмената табелка на уреда са изобразени символи. Тези символи имат следното значение:



#### Изхвърляне!

Уреди с това обозначение не трябва да се изхвърлят в контейнерите с общи отпадъци. Изхвърляйте тези уреди отделно.

## 2 Безопасност

### 2.1 Използване по предназначение

Уредът е предназначен единствено за загряване на питейна вода.

Друго или излизащо извън тези рамки използване се счита за не по предназначение. Не е разрешено загряването на други течности или вещества.

Към употребата по предназначение спада и спазването на това ръководство.

### 2.2 Указания за безопасност

Спазвайте следните указания за безопасност и разпоредби.

Всички стъпки до включително първоначалното пускане в експлоатация на уреда трябва да се извършват само от специалист.

Електрическото и хидравличното свързване трябва да се извършват само от квалифициран специалист или от наш сервизен техник.

При инсталирането и първоначалното пускане в експлоатация специалистът е отговорен за спазването на валидните разпоредби.

Използвайте уреда само след напълно завършена инсталация и с всички устройства за обезпечаване на безопасността.



#### Опасност от попарване!

В крановете температурата на топлата вода може да достигне до 65 °C (PSH 30-50 Si) / 62 °C (PSH 80-150 Si). При изходяща температура над 43 °C съществува опасност от попарване. Дръжте децата далече от крановете за топла вода.



#### Опасност от нараняване!

Ако с уреда работят деца или хора с ограничени физически, сензорни или умствени възможности, трябва да се гарантира, че това става само под контрола или след съответен инструктаж от отговорно за тяхната безопасност лице.

Контролирайте децата, за да сте сигурни, че не играят с уреда!

### 2.3 Знак CE

Знакът CE потвърждава, че уредът отговаря на всички основни изисквания:

- Директива за електромагнитната съвместимост
  - Директива за електрическо оборудване, предназначено за използване в определени граници на напрежението
- Табелката с техническите данни се намира от долната страна на уреда.

## 3 Описание на уреда

Бойлерът за висящ стенен монтаж поддържа постоянно на разположение питейна вода с предварително избраната температура. Водата се загрява от електрически нагреватели.

Уредът е настроен предварително в завода-производител на 65 °C (PSH 30-50 Si) / 62 °C (PSH 80-150 Si). При уредите от серия PSH 80-150 Si настройката на температурата трябва да се извършва само от специалист.

Разширяващата се при загряването вода се отвежда през предпазния клапан. Водосъдържателят на бойлера е защитен от корозия с емайлирано покритие и вграден магнезиев анод.

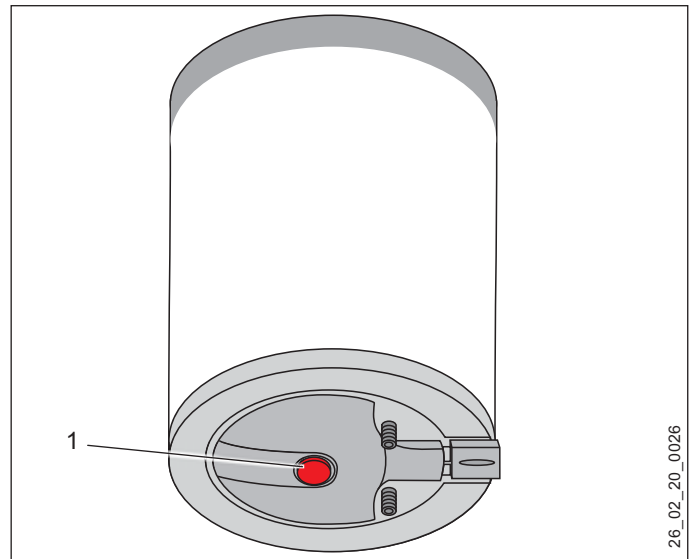
## 4 Обслужване

### 4.1 Допълнителни валидни документи

При обслужването трябва да се спазват допълнително инструкциите за работа със съответния аксесоар както и евентуалните инструменти към уреда.

### 4.2 Възможности за настройка

#### 4.2.1 Настройка на температурата PSH 30-50 Si

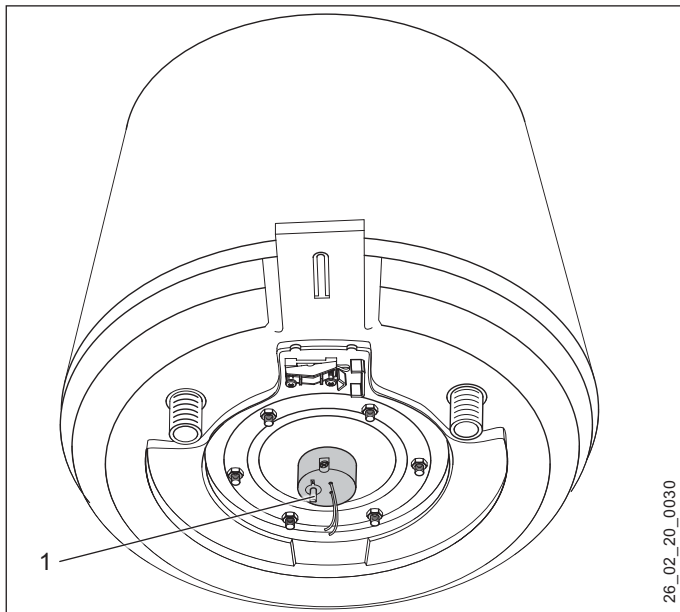


- 1 Копче за избор на температурата (само при PSH 30-50 Si)

Чрез въртене на копчето за избор на температурата можете да изберете температурата на водата във водосъдържателя на бойлера. Въртете го по часовниковата стрелка, за да повишите температурата и обратно на часовниковата стрелка, за да понижите температурата.

Щом температурата на водата във водосъдържателя на бойлера падне под настроената стойност, нагревателят се включва автоматично. Индикаторът за работен режим свети, докато завърши допълнителното нагряване и се постигне отново изискуемата стойност за температурата.

#### 4.2.2 Настройка на температурата PSH 80-150 Si



1 Копче за избор на температурата

Настроената в завода температура може да бъде променена от специалист. За целта, намиращият се в уреда терморегулатор трябва да бъде завъртян в желаната позиция (позиция 5 съответства приблизително на 62 °C).

### 4.3 Препоръки за настройки

#### 4.3.1 Температура на водата

Можете да настроите температурата на водата плавно и според потребностите. Диапазонът за настройка се простира от около 5 °C до около 65 °C (PSH 80-150 Si: 5 °C до 70 °C).

При малък разход на вода или силно варовита вода се препоръчва настройка на по-ниска температура на бойлера, тъй като след около 55 °C водата отделя съдържащия се в нея варовик.

#### 4.3.2 Отпуска и отсъствие

При продължително отсъствие, например по време на отпуска, с оглед на икономия на енергия трябва да настроите уреда за защита от замръзване или да го изключите от мрежата. Спазвайте указанията в глава „Защита от замръзване“.

#### 4.3.3 Спорадично използване

При спорадично използване, например във вила, по време на отсъствието трябва да използвате уреда при настройка за защита от замръзване или да го изключите от мрежата. По хигиенични и здравни причини, преди първото използване трябва да загреете уреда еднократно до над 60 °C.

#### 4.3.4 Защита от замръзване

При настройката за защита от замръзване бойлерът е защитен от замръзване, но предпазният клапан и водопроводите в жилището или в сградата не са защитени. При изключени от мрежата уреди няма защита от замръзване на бойлера. В такъв случай при опасност от замръзване бойлерът трябва да се изпразни.

» Затворете тръбопровода за подаване на студена вода към бойлера.

» Отворете един кран за топла вода.

» Отворете вентила за изпразване или дренажния вентил на предпазния клапан и изпразнете напълно бойлера.



**Опасност от попарване.**

При изпразването може да изтече гореща вода.

## 5 Почистване, поддръжка, техническо обслужване

За почистване на корпуса е достатъчна влажна кърпа. Не използвайте абразивни или разтварящи препарати за почистване!

» Проверявайте редовно арматурата. Отстранявайте отлаганията на котлен камък от изходите на арматурите с обикновени декалцификатори.

» Задействайте редовно предпазния клапан, за да предотвратите заяждане поради отлагания на котлен камък.

» Проверявайте правилното функциониране на предпазния клапан с леко повдигане респ. завъртане на въртящото се копче. От предпазния клапан изтича вода!

Отворът за оттичане на капещата вода на предпазния клапан трябва да остава винаги отворен навън към атмосферата, не трябва да се запушва или диаметърът му да се намалява.

Отведете капещата вода в незамръзваща канализационна тръба с постоянен наклон надолу, който гарантира безпрепятственото изтичане на водата.



**Давайте уреда и предпазния клапан редовно за проверка от специалист.**



**Опасност за живота вследствие токов удар!**

Работи по техническото обслужване, като например проверка на електрическата безопасност, трябва да се извършват само от специалист.

За осигуряване на дълъг живот се препоръчва след първата година на експлоатация инсталираният в уреда магнезиев анод да се подложи на проверка от специалист. Останалите интервали за техническо обслужване трябва да се определят от специалист. В области с особено агресивна вода е възможно да са необходими годишни интервали за техническо обслужване.

## 6 Какво се прави при ...?

| Повреда                              | Изследване на причините и отстраняване на повредите  |
|--------------------------------------|--|
| Няма топла вода                      | Прекъснато ли е захранването с напрежение (от предпазителя или мощностния прекъсвач)? Ако е така, включете отново предпазителя или мощностния прекъсвач и изчакайте, докато бойлерът се загрее отново. Ако след включването предпазителят се задейства отново, уведомете специалист. |
| Няма топла вода                      | Достатъчно високо ли е настроена температурата? Настройте температурата малко по-високо.   |
| Няма топла вода                      | Свети ли индикаторът за режим на работа? Ако индикаторът за режим на работа свети, уредът загрева съдържанието на бойлера. Това може да се наложи поради голямо потребление на топла вода преди това. Изчакайте, докато индикаторът за режим на работа угасне отново.                |
| Няма топла вода                      | Свети ли индикаторът за режим на работа? Ако индикаторът за режим на работа не свети и всички други причини са проверени, това може да е признак за активиран предпазен температурен ограничител. Уведомете специалист.  |
| Много малко топла вода               | Правилна ли е настройката на температурата? Ако са изключени всички други причини за повреди, е възможно да са изчислени много малки параметри на уреда. Вземете под внимание и посоченото в глава „Технически данни“ максимално източвано количество топла вода.                    |
| Малко количество изтичаща топла вода | Крановете покрити ли са с котлен камък? Котленият камък по крановете намалява количеството на изтичащата вода. Почистете от котления камък арматурите за източване. Ако това не отстрани повредата, уведомете специалист.  |
| Предпазният клапан капе              | По време на загреването това е нормално. Ако предпазният клапан капе и след завършване на процеса на загреване, уведомете специалист.  |

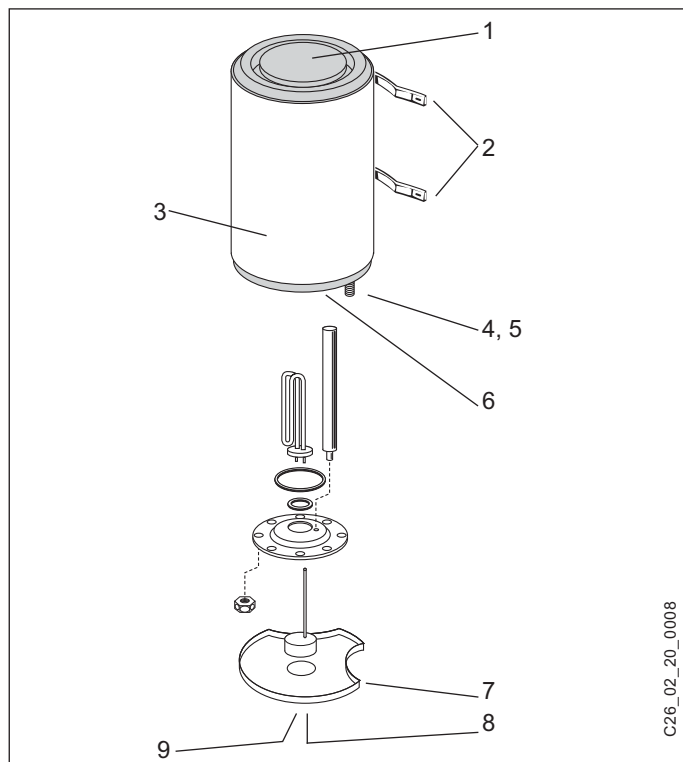
## 7 Безопасност

Използвайте само оригинални резервни части.

### 7.1 Специфични за отделните страни указания за безопасност

Спазвайте специфичните за отделните страни разпоредби и изисквания по отношение на хидравличното и електрическото свързване.

## 8 Описание на уреда



- 1 Пластмаса- горен капак
- 2 Планки за окачв. на стената (при PSH 30 - 100 Si само горе)
- 3 Корпус от листовна стомана, лакиран в бяло
- 4 Свързващ крайник за студена вода (син)
- 5 Свързващ крайник за топла вода (червен)
- 6 Пластмаса- долен капак
- 7 Капак на електрическата секция с електрически връзки
- 8 Копче за избор на температурата (само при PSH 30-50 Si)
- 9 Индикатор за работния режим

Уредът има емайлиран стоманен резервоар, нагревателна наставка с тръбен нагревателен елемент от мед и защитен анод.

- Уредът може да захранва няколко крана.
- Водата се загрява в херметичен водосъдържател на бойлера.
- Магнезиев анод предпазва емайлирания водосъдържател от корозия.

- Топлоизолацията се състои от екологична и годна за рециклиране пориуретанова пяна.

### 8.1 Комплект на доставката

- Стенен бойлер с монтирана планка за окачване
- Ръководство за обслужване и инсталиране

## 9 Инсталиране

### 9.1 Инсталационни условия

Уредът е предвиден за инсталиране в незамръзващо помещение на стена в близост до главния кран за топла вода. Инсталиране извън сграда не е разрешено.

Вземете под внимание следните предписания и указания:

- Помещението трябва да е незамръзващо, напр. баня или домакинско помещение.
- Стената, на която се монтира уредът, трябва да е вертикална и носеща. Вземете под внимание теглото на напълнения с вода уред.
- За отвеждане на разширяващата се при загряването вода в близост до уреда трябва да има подходящ канал.
- Захранването с напрежение и водопроводите за студена и топла вода трябва да са подходящи за инсталирането на уреда.

## 10 Монтаж

### 10.1 Монтаж на уреда

#### 10.1.1 Монтаж на уреда

При монтажа използвайте крепежен материал в зависимост от здравината на стената.

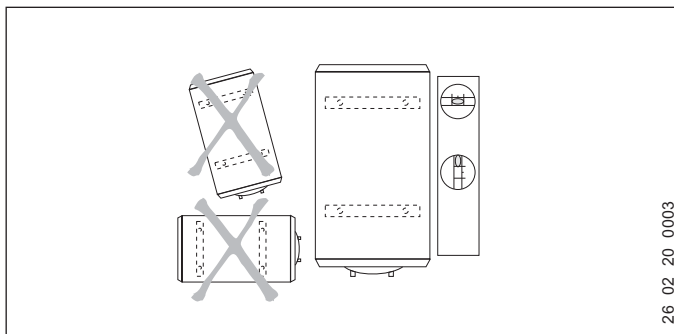
Положението на необходимите за монтажа болтове можете да видите от фигурата в глава „Технически данни“.



**При пробиването внимавайте за прокарани в стената захранващи кабели и канали.**

» Вземете под внимание собственото тегло на уреда. В зависимост от големината на уреда, може да се наложи окачването да се извърши от две лица!

» Подравнете бойлера вертикално.



» Затегнете всички болтове/гайки.

#### 10.1.2 Хидравлично свързване



**Инсталирайте предпазен клапан на входа за студената вода.**

# ИНСТАЛИРАНЕ МОНТАЖ

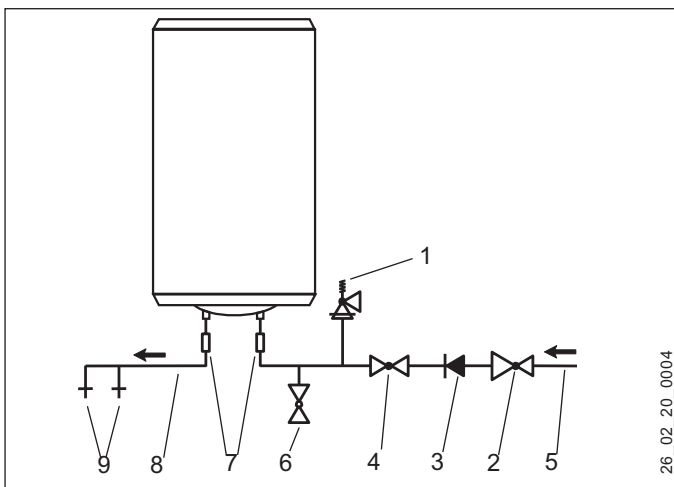
При хидравличното свързване спазвайте това ръководство и специфичните за страната стандарти и разпоредби.



**Ако налягането на водата е по-високо от 0,5 MPa (5 bar), във водопровода за захранване със студена вода трябва да се монтира редуционен клапан.**

Хидравличното свързване се извършва затворено (херметично) за захранването на няколко крана. Преди свързването към бойлера измийте основно тръбопровода за студена вода, за да не попаднат чужди тела в бойлера или предпазния клапан.

» Инсталирайте бойлера съгласно следващата фигура.



- 1 Предпазен клапан (0,6 MPa, 6 bar)
- 2 Редуционен клапан (препоръчва се при налягане на водата над 0,5 MPa (5bar))
- 3 Клапан за обратния поток
- 4 спирателен вентил (дросел)
- 5 Вход за студена вода
- 6 Изпускателен кран
- 7 Присъединителен изолационен елемент от медна отливка или пластмаса – за студена и топла вода
- 8 Вход за топла вода
- 9 Точки на водоземане

Указание за медните тръби: Не се разрешава инсталирането на свързващи елементи от мед директно към уреда. Препоръчваме преходници от медна сплав или пластмаса като свързващи изолационни елементи за връзките на тръбите.

» Настройте разхода на вода на проточния спирателен вентил на макс. 18 l/min.

## 10.1.3 Предпазен клапан

При загряването питейната вода се разширява и причинява свръхналягане във водосъдържателя. Предпазният клапан предпазва бойлера от недопустимо високо налягане.



**Опасност от повреда!**

**Бойлерът трябва да се монтира с типово изпитан мембранен предпазен клапан, който трябва да се свърже в тръбопровода за студена вода. Спазвайте приложената към предпазния клапан документация, особено указанията за безопасност и обслужване.**

» Задействайте редовно предпазния клапан, за да предотвратите заяждане поради отлагания на котлен камък.



**Отворът за оттичане на капещата вода на предпазния клапан трябва да остава винаги отворен навън към атмосферата и диаметърът му не трябва да се намалява. Канализационната тръба не трябва да замръзва и трябва да има постоянен наклон.**

» Проверете правилното функциониране на предпазния клапан.

» Обърнете внимание на потребителя върху значението и указанията за обслужване на предпазния клапан.

## 10.1.4 Пластмасови тръбни системи

Стенният бойлер е подходящ за свързване към пластмасови тръбни системи. При авария могат да се получат температури до 95 °C (макс. 0,6 MPa). Параметрите на използваните пластмасови тръбни системи трябва да са изчислени за такива условия.

## 10.1.5 Електрическо свързване

Електрическото свързване трябва да се извършва при вземане под внимание на тази документация и съответните валидни и специфични за страната стандарти и разпоредби.

Във Федерална република Германия това са „Изисквания за изграждане на силнотоккови инсталации с номинални напрежения до 1000 V“, разпоредбите на местното енергоснабдително предприятие и VDE 0100.

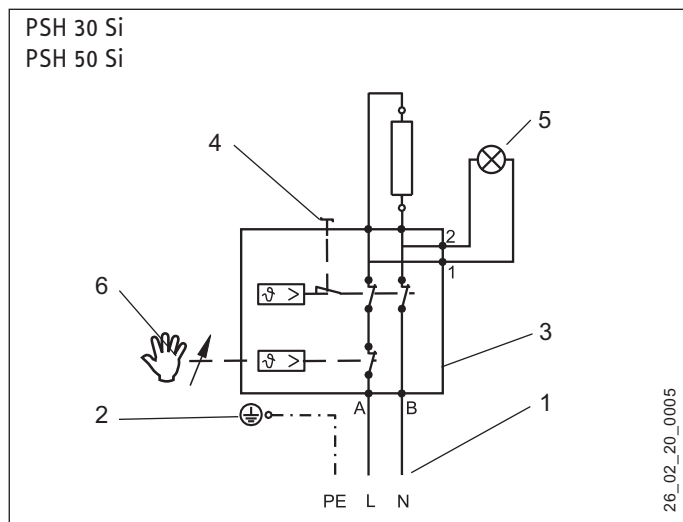
За захранването трябва да се осигури разделителен участък, който да отделя всички проводници на най-малко 3 mm разстояние от мрежата. За тази цел могат да се използват например предпазители или прекъсвачи.

Стенният бойлер е изчислен само за неподвижно свързване към захранването с напрежение.

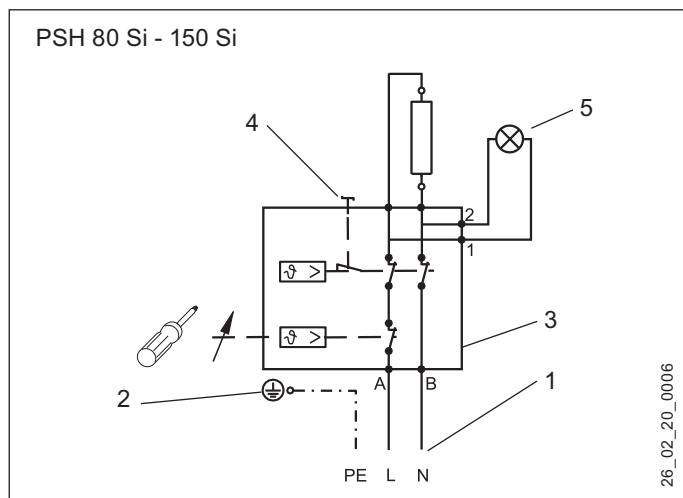
само при PSH 30-50 Si: Стенният бойлер се доставя с гъвкав, дълъг около 0,95 метър, предварително конфекциониран свързващ кабел с крайни муфи.

Ако дължината на кабела е недостатъчна, откачете свързващия кабел от клемата в уреда и го отстранете. Използвайте подходящ инсталационен кабел (3 x 1,5 mm<sup>2</sup>).

При полагането на новия свързващ кабел внимавайте да се прокара херметично през наличния кабелен вход и да се положи и свърже правилно вътре в уреда.



- 1 Свързване към електрическата мрежа
- 2 Свързване на заземяващия проводник
- 3 Комбинация „предпазен ограничител на температурата –терморегулатор”
- 4 Щепселно съединение – тръбен нагревателен елемент
- 5 Индикатор за работния режим
- 6 Копче за избор на температурата



- 1 Свързване към електрическата мрежа
- 2 Свързване на заземяващия проводник
- 3 Комбинация „предпазен ограничител на температурата –терморегулатор”
- 4 Щепселно съединение – тръбен нагревателен елемент
- 5 Индикатор за работния режим

## 10.2 Монтаж на аксесоари

Инсталирайте аксесоарите съобразно съответната приложена документация.

## 11 Пускане в експлоатация

Първоначалното пускане в експлоатация и загряване трябва да се извърши и контролира от специалист. В зависимост от големината на уреда и изискуемата температура това може да отнеме няколко часа.

### 11.1 Проверки преди пускането в експлоатация

- » Проверете дали бойлерът е окачен вертикално.
- » Уверете се, че мрежовото напрежение е изключено.
- » Проверете дали хидравличното свързване е извършено правилно и с предпазен клапан.
- » Уверете се, че копчето за избор на температурата е завъртяно до упор наляво.

### 11.2 Първоначално пускане в експлоатация

- » Отворете тръбопровода за подаване на студена вода.
- » Отворете един кран за топла вода.
- » Пълнете бойлера, докато от крана започне да изтича само вода, без въздух.
- » Затворете отново крана.
- » Включете мрежовото напрежение.
- » Завъртете копчето за избор на температурата по посока на часовниковата стрелка до упор надясно. Следете първото загряване на бойлера. По време на загряването индикаторът за режим на работа свети. Изчакайте, докато той угасне отново.

- » Проверете херметичността на инсталацията и всички компоненти.
- » Проверете предпазния клапан и оттичането на капещата вода.
- » Поставете копчето за избор на температурата на подходяща за бита температура на топлата вода.

### 11.3 Спиране на уреда от експлоатация

Ако искате да спрете уреда от експлоатация, изпълнете следните стъпки:

- » Изключете уреда от мрежовото напрежение.
- » Затворете тръбопровода за подаване на студена вода.
- » Изпразнете уреда.

Изпразването на уреда може да се извършва само с предпазен клапан или изпускателен кран.

- » Отворете докрай вентилите за топла вода на всички точки на водоземане.
- » Отворете предпазния клапан или изпускателния кран.



**Опасност от попарване.**

При изпразването може да изтече гореща вода.

### 11.4 Повторно пускане в експлоатация

- » Отворете тръбопровода за подаване на студена вода.
- » Отворете един кран за топла вода.
- » Пълнете бойлера, докато от крана започне да изтича само вода, без въздух.
- » Затворете отново крана.



» Включете мрежовото напрежение.

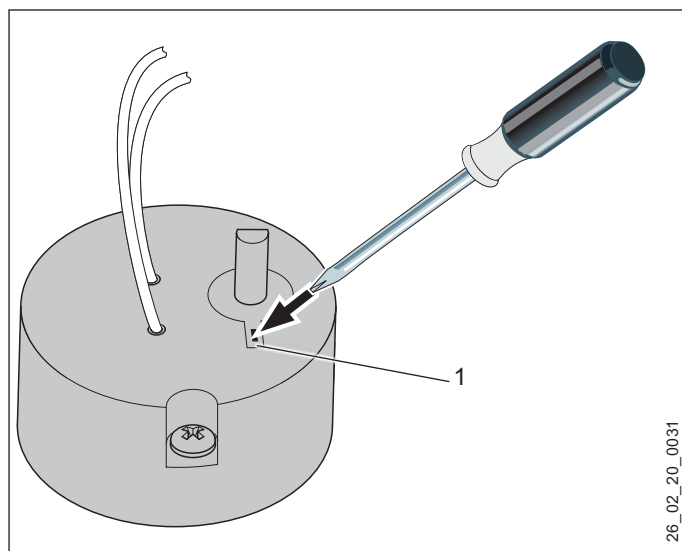
## 12 Предаване на уреда

Обяснете уреда на потребителя и му предайте това ръководство за обслужване.

## 13 Отстраняване на повреди

Допълнително към контролните стъпки в глава „Какво се прави при ...?“ проверете следното:

| Повреда   | Отстраняване   |
|---|--|
| Много малко топла вода  | Нагревателният фланец покрит ли е с котлен камък? При необходимост го почистете.   |
| Малко или няма топла вода   | Проверете регулатора и нагревателите, при необходимост ги сменете.   |
| Няма топла вода. Предпазният ограничител на температурата е сработил поради прегряване.                               | Установете причината за грешката. Ако не може да се установи никаква причина, можете да върнете предпазния ограничител на температурата в първоначално положение. За целта натиснете с отвертка клавиша за връщане в изходно положение, както е показано по-долу. Ако нагревателният елемент е в изправност и предпазният ограничител на температурата продължава да сработва, сменете комбинацията „регулатор-ограничител“. |
| Няма топла вода. Предпазният ограничител на температурата се е задействал, защото температурата е паднала под -15 °C. | Натиснете клавиша за връщане в изходно положение на предпазния ограничител на температурата.   |
| Няма топла вода. Нагревателната наставка е повредена.   | Сменете нагревателната наставка.   |



1 Клавиш за връщане в изходно положение на предпазния ограничител на температурата

## 14 Техническо обслужване

### 14.1 Работи по техническото обслужване

» Проверете предпазния клапан и тръбата за оттичане за капещата вода.

» Проверете магнезиевия анод и при необходимост го сменете.

» Отстранете отлепилите се отлагания на котлен камък от бойлера.

» Ако е необходимо, отстранете отлаганията на котлен камък от водосъдържателя с обикновени декалцификатори.

Отстранете котления камък от уреда едва след демонтажа на нагревателната наставка. Не третирайте повърхността на резервоара с препарати за отстраняване на котлен камък.

» Проверете електрическото свързване, особено свързването на защитния проводник.

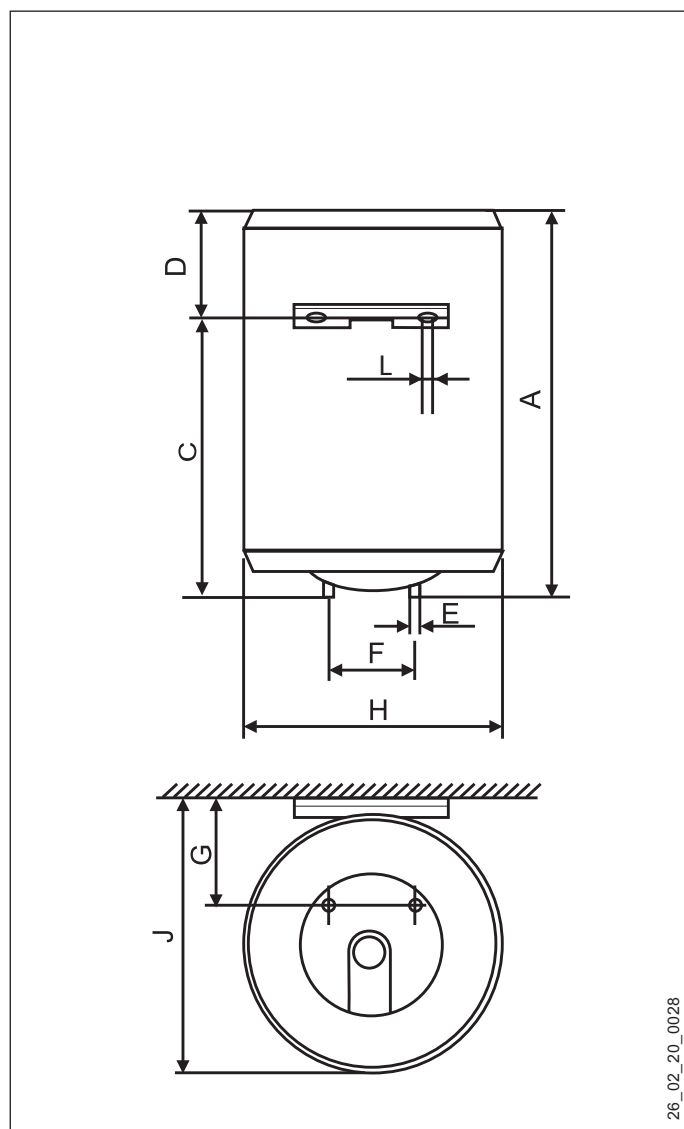
### 14.2 Износващи се части

Сменете магнезиевия анод, ако е износен. Използвайте само оригинални резервни части.

## 15 Технически данни

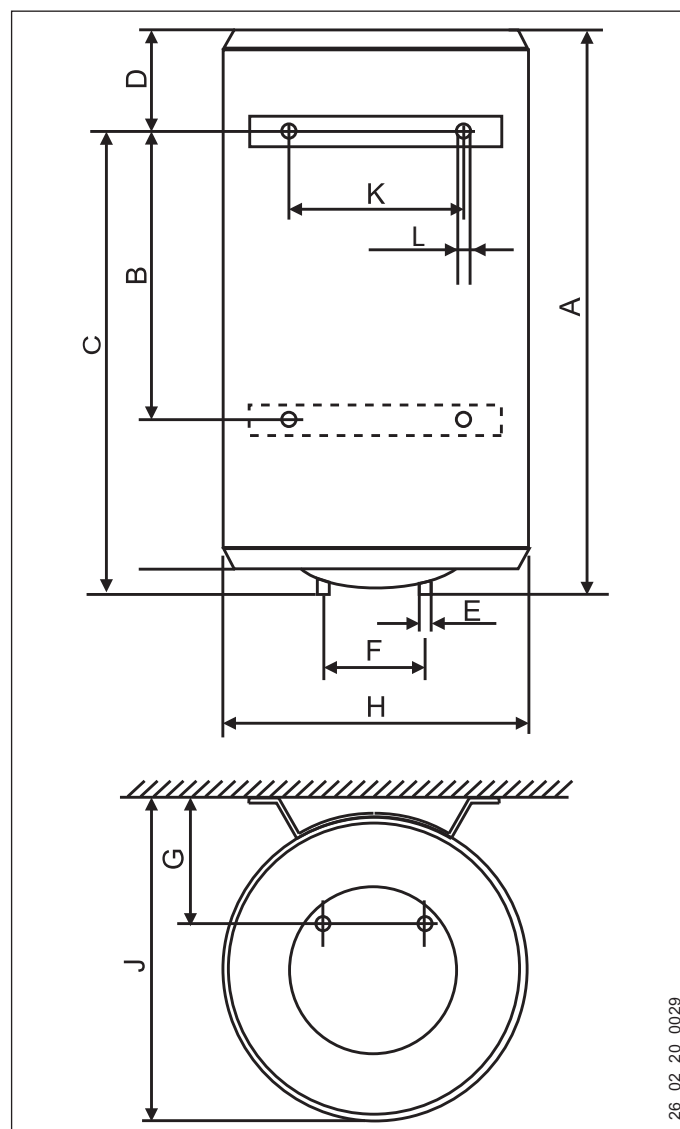
### 15.1 Окачване на стена

PSH 30-50 Si:



26\_02\_20\_0028

PSH 80-150 Si:



26\_02\_20\_0029

| Размери |    | PSH 30 Si | PSH 50 Si | PSH 80 Si | PSH 100 Si | PSH 120 Si | PSH 150 Si |
|---------|----|-----------|-----------|-----------|------------|------------|------------|
| A       | mm | 623       | 918       | 737       | 908        | 1046       | 1241       |
| B       | mm |           |           |           |            | 498        | 798        |
| C       | mm | 463       | 750       | 570       | 748        | 748        | 1048       |
| D       | mm | 160       | 168       | 120       | 113        | 251        | 146        |
| E       |    | 1/2"      | 1/2"      | 3/4"      | 3/4"       | 3/4"       | 3/4"       |
| F       | mm | 100       | 100       | 230       | 230        | 230        | 230        |
| G       | mm | 81        | 81        | 165       | 165        | 165        | 165        |
| H       | mm | 338       | 338       | 505       | 505        | 505        | 505        |
| J       | mm | 345       | 345       | 520       | 520        | 520        | 520        |
| K       | mm | 184       | 184       | 440       | 440        | 440        | 440        |
| L       | mm | 8         | 8         | 8         | 8          | 8          | 8          |

## 15.2 Технически данни

| Модел                                   | Wall mounted DHW cylinder (Бойлер за висящ монтаж на стена) |                                  |           |            |            |            |  |
|---|---|----------------------------------|-----------|------------|------------|------------|--|
|   | PSH 30 Si   | PSH 50 Si                        | PSH 80 Si | PSH 100 Si | PSH 120 Si | PSH 150 Si |  |
| Тип                                     | PSH 30 Si   | PSH 50 Si                        | PSH 80 Si | PSH 100 Si | PSH 120 Si | PSH 150 Si |  |
| Арт. №                                  | 074478  | 074479                           | 074480    | 074481     | 074482     | 074483     |  |
| Номинално напрежение                    | ~ 230 V   |                                  |           |            |            |            |  |
| Консумация на мощност                   | W   | 2000                             | 2000      | 2200       | 2200       | 2200       |  |
| Номинален обем                          | l   | 30                               | 50        | 80         | 100        | 120        |  |
| Регулируем температурен диапазон        | °C  | 5 - 65                           | 5 - 65    | 5 - 62     | 5 - 62     | 5 - 62     |  |
| Консумация на ток при готовност (65 °C) | kWh/d   | 0,76                             | 1,13      | 1,05       | 1,25       | 1,35       |  |
| Време за нагряване <sup>1)</sup>        | min   | 57                               | 96        | 131        | 175        | 210        |  |
| Допустимо максимално работно налягане   | MPa   | 0,6                              |           |            |            |            |  |
| Степен на защита                        |   | IP 25                            |           |            |            |            |  |
| Знак за качество                        |   | виж табелката с технически данни |           |            |            |            |  |
| <b>Размери и тегла</b>                  |   |                                  |           |            |            |            |  |
| Тегло (собствено)                       | kg  | 14                               | 17        | 26         | 31         | 34         |  |
| височина                                | mm  | 623                              | 918       | 737        | 908        | 1046       |  |
| ширина                                  | mm  | 338                              | 338       | 505        | 505        | 505        |  |
| дълбочина                               | mm  | 345                              | 345       | 520        | 520        | 520        |  |

<sup>1)</sup> Температура на входа на студената вода 15 °C и температура на бойлера 65 °C

## Еггэзуз

мяб бяфзуз еггэзузт мрпсеЯ нб егесиеЯ мьнп уфз чюсб уфзн прпЯб Эчей бгпсбуфеЯ з ухукехЮ. БрехихниеЯфе рбсбкблю уфзн бнфЯуфпйчз бнфйрспущреЯб фзт Stiebel Eltron Ю уфпн ейубгщгЭб.



з бсчйЮ фпрпизфзуз, злекфсйкЮ егкбфЪуфбуз кбй ухнфЮсзуз ерйфсзрфбй нб дйенесгеЯфбй мьнп брь ейдйкехмзп рспущрйкь.



П кбфбукехбуфЮт ден бнблбмвьней кбнзб еЯдптехиэнзтгйбелбфщмбфйкзтухукехзт, пй прпЯет ден фпрпиефЮизкбн Ю ден фзизкбн уе лейфпхсгЯб уэмцщнб ме фйт бнфЯуфпйчет пдзгЯет чсЮузт кбй фпрпизфзузт.

## Ресйвъллпн кбй бнбкэкълщуз

Рбсбкблпэме нб ухмвъллефе уфзн рспуфбуЯб фпх ресйвъллпнфпт. з брпкпмйдЮ фщн хлйкюн фзт ухукехбуЯбт нб гЯнефбй уэмцщнб ме фйт еинйкзт дйбфЪоейт.

## Deutschland

STIEBEL ELTRON GmbH & Co. KG  
Dr.-Stiebel-Straße | D-37603 Holzminden  
Tel. 0 55 31 702 0 | Fax 0 55 31 702 480  
Email [info@stiebel-eltron.de](mailto:info@stiebel-eltron.de)  
[www.stiebel-eltron.de](http://www.stiebel-eltron.de)

## Verkauf

Tel. 0180 3 700705 | Fax 0180 3 702015 | [info-center@stiebel-eltron.de](mailto:info-center@stiebel-eltron.de)

## Kundendienst

Tel. 0180 3 702020 | Fax 0180 3 702025 | [kundendienst@stiebel-eltron.de](mailto:kundendienst@stiebel-eltron.de)

## Ersatzteilverkauf

Tel. 0180 3 702030 | Fax 0180 3 702035 | [ersatzteile@stiebel-eltron.de](mailto:ersatzteile@stiebel-eltron.de)

## Vertriebszentren

Tel. 0180 3 702010 | Fax 0180 3 702004

## Austria

STIEBEL ELTRON Ges.m.b.H.  
Eferdinger Str. 73 | A-4600 Wels  
Tel. 072 42-47367-0 | Fax 07242-47367-42  
Email [info@stiebel-eltron.at](mailto:info@stiebel-eltron.at)  
[www.stiebel-eltron.at](http://www.stiebel-eltron.at)

## Belgium

STIEBEL ELTRON Sprl / Pvbva  
P/A Avenue du Port 104, 5 Etage  
B-1000 Bruxelles  
Tel. 02-4232222 | Fax 02-4232212  
Email [info@stiebel-eltron.be](mailto:info@stiebel-eltron.be)  
[www.stiebel-eltron.be](http://www.stiebel-eltron.be)

## Czech Republik

STIEBEL ELTRON spol. s r.o.  
K Hájům 946 | CZ-15500 Praha 5-Stodůlky  
Tel. 2-511 16111 | Fax 2-355 12122  
Email [info@stiebel-eltron.cz](mailto:info@stiebel-eltron.cz)  
[www.stiebel-eltron.cz](http://www.stiebel-eltron.cz)

## Denmark

PETTINAROLI A/S  
Madal Allé 21 | DK-5500 Middelfart  
Tel. 63 41 66 66 | Fax 63 41 66 60  
Email [info@pettinaroli.dk](mailto:info@pettinaroli.dk)  
[www.pettinaroli.dk](http://www.pettinaroli.dk)

## France

STIEBEL ELTRON S.A.S.  
7-9, rue des Selliers  
B.P. 85107 | F-57073 Metz-Cédex 3  
Tel. 03 87 74 38 88 | Fax 03 87 74 68 26  
Email [info@stiebel-eltron.fr](mailto:info@stiebel-eltron.fr)  
[www.stiebel-eltron.fr](http://www.stiebel-eltron.fr)

## Finland

Insinööritoimisto Olli Andersson Oy  
Keskuskatu 8 | FI-04600 Mäntsälä  
Tel. 020 720 9988 | Fax 020 720 9989  
Email [info@stiebel-eltron.fi](mailto:info@stiebel-eltron.fi)  
[www.stiebel-eltron.fi](http://www.stiebel-eltron.fi)

## Great Britain

Stiebel Eltron UK Ltd.  
Unit 12 Stadium Court  
Stadium Road  
Bromborough  
Wirral CH62 3QP  
Email: [info@stiebel-eltron.co.uk](mailto:info@stiebel-eltron.co.uk)  
[www.stiebel-eltron.co.uk](http://www.stiebel-eltron.co.uk)

## Hungary

STIEBEL ELTRON Kft.  
Pacsirtamező u. 41 | H-1036 Budapest  
Tel. 012 50-6055 | Fax 013 68-8097  
Email [info@stiebel-eltron.hu](mailto:info@stiebel-eltron.hu)  
[www.stiebel-eltron.hu](http://www.stiebel-eltron.hu)

## Japan

Nihon Stiebel Co. Ltd.  
Ebara building 3F | 2-9-3 Hamamatsu-cho  
Minato-ku | Tokyo 105-0013  
Tel. 3 34364662 | Fax 3 34594365  
[fujiki@nihonstiebel.co.jp](mailto:fujiki@nihonstiebel.co.jp)

## Netherlands

STIEBEL ELTRON Nederland B.V.  
Daviottenweg 36 | Postbus 2020  
NL-5202 CA 's-Hertogenbosch  
Tel. 073-6 23 00 00 | Fax 073-6 23 11 41  
Email [stiebel@stiebel-eltron.nl](mailto:stiebel@stiebel-eltron.nl)  
[www.stiebel-eltron.nl](http://www.stiebel-eltron.nl)

## Poland

STIEBEL ELTRON sp.z. o.o  
ul. Instalatorów 9 | PL-02-237 Warszawa  
Tel. 022-8 46 48 20 | Fax 022-8 46 67 03  
Email [stiebel@stiebel-eltron.com.pl](mailto:stiebel@stiebel-eltron.com.pl)  
[www.stiebel-eltron.com.pl](http://www.stiebel-eltron.com.pl)

## Russia

STIEBEL ELTRON RUSSIA  
Urzhumskaya street, 4. | 129343 Moscow  
Tel. (495) 775 3889 | Fax (495) 775-3887  
Email [info@stiebel-eltron.ru](mailto:info@stiebel-eltron.ru)  
[www.stiebel-eltron.ru](http://www.stiebel-eltron.ru)

## Switzerland

STIEBEL ELTRON AG  
Netzbodenstr. 23 c | CH-4133 Pratteln  
Tel. 061-8 16 93 33 | Fax 061-8 16 93 44  
Email [info@stiebel-eltron.ch](mailto:info@stiebel-eltron.ch)  
[www.stiebel-eltron.ch](http://www.stiebel-eltron.ch)

## Thailand

STIEBEL ELTRON Asia Ltd.  
469 Moo 2, Tambol Klong-jik  
Ampur Bangpa-In | Ayutthaya 13160  
Tel. 035-22 00 88 | Fax 035-22 11 88  
Email [stiebel@loxinfo.co.th](mailto:stiebel@loxinfo.co.th)  
[www.stiebeltronasia.com](http://www.stiebeltronasia.com)

## United States of America

STIEBEL ELTRON Inc.  
17 West Street | West Hatfield MA 01088  
Tel. 4 13-247-3380 | Fax 413-247-3369  
Email [info@stiebel-eltron-usa.com](mailto:info@stiebel-eltron-usa.com)  
[www.stiebel-eltron-usa.com](http://www.stiebel-eltron-usa.com)

**STIEBEL ELTRON**