



Installation Guide

**Three Phase System with
SetApp Configuration**

For Europe
Version 1.7

Disclaimers

Important Notice

Copyright © SolarEdge Inc. All rights reserved.

No part of this document may be reproduced, stored in a retrieval system or transmitted, in any form or by any means, electronic, mechanical, photographic, magnetic or otherwise, without the prior written permission of SolarEdge Inc.

The material furnished in this document is believed to be accurate and reliable. However, SolarEdge assumes no responsibility for the use of this material. SolarEdge reserves the right to make changes to the material at any time and without notice. You may refer to the SolarEdge web site (www.solaredge.com) for the most updated version.

All company and brand products and service names are trademarks or registered trademarks of their respective holders.

Patent marking notice: see <http://www.solaredge.com/patent>

The general terms and conditions of delivery of SolarEdge shall apply.

The content of these documents is continually reviewed and amended, where necessary. However, discrepancies cannot be excluded. No guarantee is made for the completeness of these documents.

The images contained in this document are for illustrative purposes only and may vary depending on product models.

Emission Compliance

This equipment has been tested and found to comply with the limits applied by the local regulations.

These limits are designed to provide reasonable protection against harmful interference. This equipment generates, uses and can radiate radio frequency energy and, if not installed and used in accordance with the instructions, may cause harmful interference to radio communications. However, there is no guarantee that interference will not occur in a particular installation. If this equipment does cause harmful interference to radio or television reception, which can be determined by turning the equipment off and on, you are encouraged to try to correct the interference by one or more of the following measures:

- Reorient or relocate the receiving antenna.
- Increase the separation between the equipment and the receiver.
- Connect the equipment into an outlet on a circuit different from that to which the receiver is connected.
- Consult the dealer or an experienced radio/TV technician for help.

Changes or modifications not expressly approved by the party responsible for compliance may void the user's authority to operate the equipment.



CAUTION!

Where EN55011 Class A is deemed applicable, the following requirements apply:

- This equipment is not intended for use in residential environments and may not provide adequate protection to radio reception in such environments.
- This equipment should be connected to inverters with a rated power > 20 kVA and is intended to be installed in a large photovoltaic power generating system by a professional.
- This equipment should be physically separated from residential environments by a distance greater than 30 m, and can be equipped with additional filtering if necessary.

Revision History

Version 1.7 (April 2021)

- Emission compliance note updated.

Contents

Disclaimers	1
Important Notice	1
Emission Compliance	2
Revision History	3
HANDLING AND SAFETY INSTRUCTIONS	6
Safety Symbols Information	6
IMPORTANT SAFETY INSTRUCTIONS	7
Chapter 1: Introducing the SolarEdge Power Harvesting System	9
Power Optimizer	9
Inverter	10
Monitoring Platform	10
Installation Procedure	10
Installation Equipment List	10
Inverter Transport and Storage	11
Chapter 2: Installing the Power Optimizers	12
Safety	12
Installation Guidelines	13
Step 1: Mounting the Power Optimizers	16
Step 2: Connecting a PV module to a Power Optimizer	16
Step 3: Connecting Power Optimizers in Strings	17
Step 4: Verifying Proper Power Optimizer Connection	18
Chapter 3: Installing the Inverter	19
Inverter Package Contents	19
Identifying the Inverter	19
Inverter Interfaces	20
Mounting the Inverter	24
Chapter 4: Connecting the AC and the Strings to the Inverter	28
Grid Connection Guidelines	28
Connecting the AC Grid to the Inverter	28
Connecting the Strings to the Inverter	30
Selecting a Residual Current Device (RCD)	31
Chapter 5: Activating, Commissioning and Configuring the System	33
Step 1: Activating the Installation	33
Step 2: Commissioning and Configuring the Installation	34
Step 3: Verifying Proper Activation and Commissioning	36
Reporting and Monitoring Installation Data	36
Chapter 6: Setting Up Communication to the Monitoring Platform	39

Communication Options	39
Communication Connectors	41
Removing the Inverter Cover	42
Removing the DC Safety Unit Cover (if applicable)	42
Creating an Ethernet (LAN) Connection	42
Creating RS485 Bus Connection	46
RS485 Bus Configuration	49
Verifying the Connection	49
Appendix A: Errors and Troubleshooting	50
Identifying Errors	50
Troubleshooting Communication	51
Power Optimizer Troubleshooting	52
Appendix B: Mechanical Specifications	54
Appendix C: Connecting the AC and DC Strings to the DC Safety Unit	55
Connecting the AC Grid to the Inverter	56
Connecting the Strings to the DC Safety Unit	57
Appendix D: SafeDC™	59
Appendix E: External Fan Maintenance and Replacement	60
Fan Maintenance	60
External Fan Replacement	60
Appendix F: Replacing and Adding System Components	62
Replacing an Inverter	62
Replacing the DC Safety Unit	63
Adding, Removing, or Replacing Power Optimizers	66
Appendix G: Determining the Circuit Breaker Size	67
Using Transformers in Commercial Three Phase Inverter Installations	67
Determining the Size of an Inverter Circuit Breaker	68
Technical Specifications - Three Phase Inverters (Europe)	72
Support Contact Information	82

HANDLING AND SAFETY INSTRUCTIONS

During installation, testing and inspection, adherence to all the handling and safety instructions is mandatory. **Failure to do so may result in injury or loss of life and damage to the equipment.**

Safety Symbols Information

The following safety symbols are used in this document. Familiarize yourself with the symbols and their meaning before installing or operating the system.

WARNING!



Denotes a hazard. It calls attention to a procedure that, if not correctly performed or adhered to, could result in **injury or loss of life**. Do not proceed beyond a warning note until the indicated conditions are fully understood and met.

CAUTION!



Denotes a hazard. It calls attention to a procedure that, if not correctly performed or adhered to, could result in **damage or destruction of the product**. Do not proceed beyond a caution sign until the indicated conditions are fully understood and met.

NOTE



Denotes additional information about the current subject.

IMPORTANT SAFETY FEATURE



Denotes information about safety issues.

Disposal requirements under the Waste Electrical and Electronic Equipment (WEEE) regulations:

NOTE



Discard this product according to local regulations or send it back to SolarEdge.

IMPORTANT SAFETY INSTRUCTIONS

SAVE THESE INSTRUCTIONS

WARNING!



The inverter cover must be opened only after switching the inverter ON/OFF/P switch located at the bottom of the inverter to OFF. This disables the DC voltage inside the inverter. Wait five minutes before opening the cover. Otherwise, there is a risk of electric shock from energy stored in the capacitors.



P = Program/Pair
1 = ON
0 = OFF

WARNING!



Before operating the inverter, ensure that the inverter AC power cable and wall outlet are grounded properly. This product must be connected to a grounded, metal, permanent wiring system, or an equipment-grounding conductor must be run with the circuit conductors and connected to the equipment grounding terminal or lead on the product.

WARNING!



Opening the inverter and repairing or testing under power must be performed only by qualified service personnel familiar with this inverter.

WARNING!



Do not touch the PV panels or any rail system connected when the inverter switch is ON, unless grounded.

WARNING!



SafeDC complies with IEC60947-3 when installing the system with a worst case SafeDC voltage (under fault conditions) < 120V.

The worst case voltage is defined as: $V_{oc,max} + (\text{String Length} - 1) * 1V$, where:

- $V_{oc,max}$ = Maximum V_{oc} (at lowest temperature) of the PV modules in the string (for a string with multiple modules, use the max value)
- String Length = number of power optimizers in the string

CAUTION!



This unit must be operated according to the technical specification datasheet provided with the unit.

CAUTION!



HEAVY OBJECT. To avoid muscle strain or back injury, use proper lifting techniques, and if required - a lifting aid.


**NOTE**

The inverter is IP65 rated . Unused conduit openings and glands should be sealed with appropriate seals.

**NOTE**

Use PV modules rated according to IEC 61730 class A.

**NOTE**

The symbol  appears at grounding points on the SolarEdge equipment. This symbol is also used in this manual.

NOTE

A SolarEdge inverter may be installed in a site with a generator. SolarEdge requires installing a physical or electronic interlock, which will signal to the inverter when the grid has been disconnected. Interlock procurement, installation, maintenance and support are the responsibility of the installer.



Damage to the inverter due to incorrect interlock installation or use of an interlock that is incompatible with the SolarEdge system will render the SolarEdge warranty invalid.

For more information, refer to

<https://www.solaredge.com/sites/default/files/se-inverter-support-of-voltage-sources.pdf>.

**NOTE**

The following warning symbols appear on the inverter warning label:



Risk of electric shock



Risk of electric shock from energy stored in the capacitor. Do not remove cover until 5 minutes after disconnecting all sources of supply.



Hot surface – To reduce the risk of burns, do not touch.

Chapter 1: Introducing the SolarEdge Power Harvesting System

The SolarEdge power harvesting solution maximizes the power output from any type of solar photovoltaic (PV) installation while reducing the average cost per watt. The following sections describe each of the system's components.

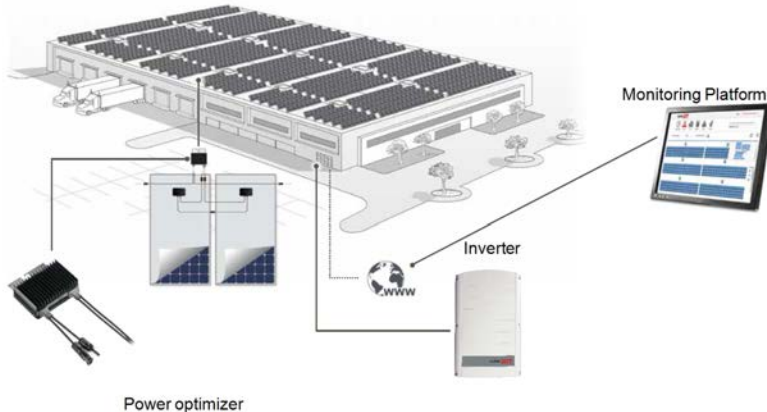


Figure 1: The SolarEdge power harvesting system components

Power Optimizer

The power optimizers are DC-DC converters connected to PV modules in order to maximize power harvesting by performing independent Maximum Power Point Tracking (MPPT) at the module level.

The power optimizers regulate the string voltage at a constant level, regardless of string length and environmental conditions.

The power optimizers include a safety voltage function that automatically reduces the output of each power optimizer to 1 Vdc in the following cases:

- During fault conditions
- The power optimizers are disconnected from the inverter
- The inverter ON/OFF/P switch is turned OFF
- The inverter AC breaker is turned OFF

Each power optimizer also transmits module performance data over the DC power line to the inverter.

Two types of power optimizers are available:

- module add-on power optimizer – connected to one or more modules
- smart modules - the power optimizer is embedded into a module

Inverter

The inverter efficiently converts DC power from the modules into AC power that can be fed into the main AC service of the site and from there to the grid. The inverter also receives the monitoring data from each power optimizer and transmits it to a central server (the monitoring platform; requires Internet connection).

Some inverters are available with an optional DC Safety Unit. The DC Safety Unit has a manually operated switch for disconnecting the DC power of a SolarEdge system.

The DC Safety Unit is located below the inverter and is connected to the inverter with AC and DC wires.

Monitoring Platform

The monitoring platform enables monitoring the technical and financial performance of one or more SolarEdge sites. It provides past and present information on the system performance both at the system and module levels.

Installation Procedure

The following is the procedure for installing and setting up a new SolarEdge site. Many of these also apply to modification of an existing site.

1. [Connecting Power Optimizers in Strings](#), page 17
2. [Recording power optimizer serial numbers \(optional\)](#), page 37
3. [Mounting the inverter](#), Page 24
4. [Connecting the AC and the Strings to the Inverter](#), page 28, or [Connecting the AC and the String to the DC Safety Unit](#), page 55
5. [Commissioning and activating the installation](#), page 33
6. [Connecting the inverter to the monitoring platform](#), page 38

Installation Equipment List

Standard tools can be used during the installation of the SolarEdge system. The following is a recommendation of the equipment needed for installation:

- Allen screwdriver for 5mm screw type for the inverter enclosure screws

- Allen screwdriver for M5/M6/M8 screw types
- Standard flat-head screwdrivers set
- Non-contact voltage detector
- Cordless drill (with a torque clutch) or screwdriver and bits suitable for the surface on which the inverter and optimizers will be installed. Use of an impact driver is *not* allowed.
- Mounting hardware (stainless bolts, nuts, and washers) for attaching:
 - the mounting brackets to the mounting surface
 - the power optimizer to the racking
- MC4 crimper
- Wire cutters
- Wire strippers
- Voltmeter

For installing the communication options, you may also need the following:

- For Ethernet:
 - CAT6 twisted pair Ethernet cable with RJ45 connector
 - If using a CAT6 cable spool: RJ45 plug and RJ45 crimper
- For RS485:
 - Four- or six-wire shielded twisted pair cable
 - Watchmaker precision screwdriver set

Inverter Transport and Storage

Transport the inverter in its original packaging, facing up and without exposing it to unnecessary shocks. If the original package is no longer available, use a similar box that can withstand the weight of the inverter (refer to the inverter weight in the specification datasheet provided with the unit), has a handle system and can be closed fully.

Store the inverter in a dry place where ambient temperatures are -13°F to 140°F / -25°C to +60°C.

Chapter 2: Installing the Power Optimizers

Safety

The following notes and warnings apply when installing the power optimizers. Some of the following may not be applicable to smart modules:

WARNING!



When modifying an existing installation, turn OFF the inverter ON/OFF/P switch, the DC Safety Unit (if applicable) and the AC circuit breaker on the main AC distribution panel.

CAUTION!



Power optimizers are IP68/NEMA6P rated. Choose a mounting location where optimizers will not be submerged in water.

CAUTION!



This unit must be operated according to the operating specifications provided with the unit.

CAUTION!



Cutting the power optimizer input or output cable connector is prohibited and will void the warranty.

CAUTION!



All PV modules must be connected to a power optimizer.

CAUTION!



If you intend to mount the optimizers directly to the module or module frame, first consult the module manufacturer for guidance regarding the mounting location and the impact, if any, on module warranty. Drilling holes in the module frame should be done according to the module manufacturer instructions.

CAUTION!

Installing a SolarEdge system without ensuring compatibility of the module connectors with the optimizer connectors may be unsafe and could cause functionality problems such as ground faults, resulting in inverter shut down. To ensure mechanical compatibility of the power optimizers’ connectors with the PV module’ connectors to which they are connected:

- Use identical connectors from the same manufacturer and of the same type on both the power optimizers and on the modules; or
- Verify that the connectors are compatible in the following way:
 - The module connector manufacturer should explicitly verify compatibility with the SolarEdge optimizer connector; and
 - A third-party test report by one of the listed external labs (TUV, VDE, Bureau Veritas UL, CSA, InterTek) should be obtained, verifying the compatibility of the connectors.



For more information, refer to

<https://www.solaredge.com/sites/default/files/optimizer-input-connector-compatibility.pdf>

IMPORTANT SAFETY FEATURE



Modules with SolarEdge power optimizers are safe. They carry only a low safety voltage before the inverter is turned ON. As long as the power optimizers are not connected to the inverter or the inverter is turned OFF, each power optimizer will output a safe voltage of 1V.

Installation Guidelines

- For the minimum and maximum number of power optimizers in a string (string length), see the power optimizer datasheets. Refer to the Designer for string length verification. The Designer is available on the SolarEdge website at: <https://www.solaredge.com/products/installer-tools/designer#/>.
- The length of home-run cables from the first and last power optimizer to the inverter (total cable length) may not exceed the following values:


Single Phase Inverters	Three Phase Inverters
All - 1000 ft. /300 m	SE17K and below - 1000 ft. /300 m Above SE17K - 2300 ft. /700 m

- Do not use extension cables between a module and a power optimizer, between two modules connected to the same power optimizer, or between two power optimizers other than in the following cases:

Between a power optimizer and a module:

- Power optimizers with the 4-type suffix in their part number (Pxxx-4xxxxxx) - extension cables of up to 16 m can be installed per power optimizer (8 m for DC+ and 8 m for DC-).
- Power optimizers manufactured starting from working week 42, 2019, as indicated in the serial number (Example: S/N SJ5019A-xxxxxxx - working week 50, 2019) - extension cables of up to 16 m can be installed per power optimizer (8 m for DC+ and 8 m for DC-).

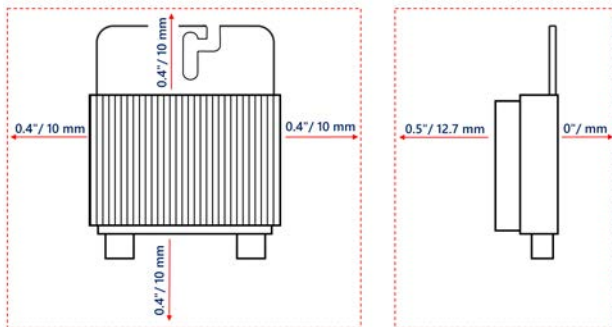
Between two power optimizers or between a power optimizer and the inverter:

- Extension cables can be installed between power optimizers only from row to row, around obstacles or pathways within a row, and from the end of the string to the inverter, as long as the total cable length is not exceeded.
- For connecting power optimizers to the inverter, use cables with a minimum cross-section of 11 AWG/ 4 mm² DC cables.
- Frame-mounted power optimizers are mounted directly on the module frame, regardless of racking system (rail-less or with rails). For installation of frame-mounted power optimizers, refer to http://www.solaredge.com/sites/default/files/installing_frame_mounted_power_optimizers.pdf. 
- The steps in this chapter refer to module add-on power optimizers. For smart modules, start from *Step 3: Connecting Power Optimizers in Strings* on page 17. Also refer to the documentation supplied with the smart modules.
- The power optimizer can be placed in any orientation.
- If connecting more modules than power optimizer inputs in parallel, use a branch cable. Some commercial power optimizer models have a dual input.
- Position the power optimizer close enough to its module so that their cables can be connected.
- Make sure to use power optimizers that have the required output conductor length.
- Completely shaded modules may cause their power optimizers to temporarily shut down. This will not affect the performance of the other power optimizers in the string, as long as the minimum number of unshaded power optimizers connected in a string of modules is met. If under typical conditions fewer than the minimum

power optimizers are connected to unshaded modules, add more power optimizers to the string.

- To allow for heat dissipation, maintain clearance as specified below.

All power optimizers, except for the P860 and M1600 power optimizers



P860 and M1600 power optimizers

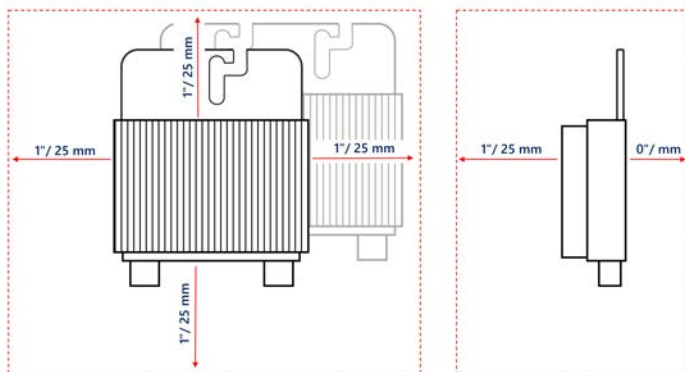


Figure 2: Power optimizer clearance

- When installing modules in a confined space, for example, if installing Building-integrated photovoltaic (BIPV) modules, ventilation measures may be needed to ensure the power optimizers are not be exposed to temperatures outside their specifications.

Step 1: Mounting the Power Optimizers

For each of the power optimizers⁽¹⁾:

1. Determine the power optimizer mounting location and use the power optimizer mounting brackets to attach the power optimizer to the support structure. It is recommended to mount the power optimizer in a location protected from direct sunlight. For frame-mounted power optimizers follow the instructions supplied with the optimizers, or refer to https://www.solaredge.com/sites/default/files/installing_frame_mounted_power_optimizers.pdf.
2. If required, mark the mounting hole locations and drill the hole.



CAUTION!



Drilling vibrations may damage the power optimizer and will void the warranty. Use a torque wrench or an electric drill with adjustable clutch that meets the mounting torque requirements. *Do not* use impact drivers for mounting the power optimizer.

Do not drill through the power optimizer or through the mounting holes.

3. Attach each power optimizer to the rack using M6 (1/4") stainless steel bolts, nuts and washers or other mounting hardware. Apply torque of 9-10 N*m / 6.5-7 lb*ft.
4. Verify that each power optimizer is securely attached to the module support structure.
5. Record power optimizer serial numbers and locations, as described in *Reporting and Monitoring Installation Data* on page 36.

Step 2: Connecting a PV module to a Power Optimizer



NOTE

Images are for illustration purposes only. Refer to the label on the product to identify the plus and minus input and output connectors.

For each of the power optimizers:

- Connect the Plus (+) output connector of the module to the Plus (+) input connector of the power optimizer.

⁽¹⁾Not applicable to smart modules.

- Connect the Minus (-) output connector of the module to the Minus (-) input connector of the power optimizer.

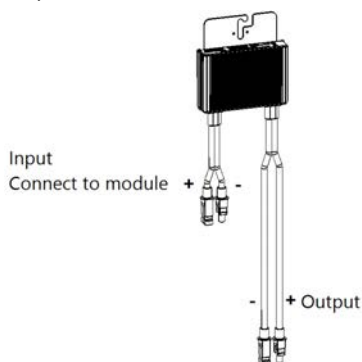


Figure 3: Power optimizer connectors

Step 3: Connecting Power Optimizers in Strings

You can construct parallel strings of unequal length, that is, the number of power optimizers in each string does not have to be the same. The minimum and maximum string lengths are specified in the power optimizer datasheets. Refer to the [Designer](#) for string length verification.



1. Connect the Minus (-) output connector of the string's first power optimizer to the Plus (+) output connector of the string's second power optimizer.
2. To minimize electromagnetic interference (EMI), make sure to minimize the distance between the positive and negative DC cables.

For detailed instructions, see:

<https://www.solaredge.com/sites/default/files/se-emi-performance-application-note.pdf>.

3. Connect the rest of the power optimizers in the string in the same manner.



WARNING!



If using a dual-input power optimizer and some inputs are not used, seal the unused input connectors with the supplied pair of seals.

4. If you intend to monitor the installation, using the monitoring platform, record the physical location of each power optimizer, as described in *Creating Logical and Physical Layout using Installation Information* on page 37.

Step 4: Verifying Proper Power Optimizer Connection

When a module is connected to a power optimizer, the power optimizer outputs a safe voltage of 1V ($\pm 0.1V$). Therefore, the total string voltage should equal 1V times the number of power optimizers connected in series in the string. For example, if 10 power optimizers are connected in a string, then 10V should be produced.

Make sure the PV modules are exposed to sunlight during this process. The power optimizer will only turn ON if the PV module provides at least 2W.

In SolarEdge systems, due to the introduction of power optimizers between the PV modules and the inverter, the short circuit current I_{SC} and the open circuit voltage V_{OC} hold different meanings from those in traditional systems.

For more information about the SolarEdge system's string voltage and current, refer to the V_{OC} and I_{SC} in *SolarEdge Systems Technical Note*, available on the SolarEdge website at:

https://www.solaredge.com/sites/default/files/isc_and_voc_in_solaredge_systems_technical_note.pdf



→ To verify proper power optimizer connection:

- Measure the voltage of each string individually before connecting it to the other strings or to the inverter. Verify correct polarity by measuring the string polarity with a voltmeter. Use a voltmeter with at least 0.1V measurement accuracy.



NOTE

Since the inverter is not yet operating, you may measure the string voltage and verify correct polarity on the DC wires inside the DC Safety Unit.

For troubleshooting power optimizer operation problems, refer to *Power Optimizer Troubleshooting* on page 52.

Chapter 3: Installing the Inverter

Install the inverter either before or after the modules and power optimizers have been installed.

CAUTION!



Do not rest the connectors at the bottom of the inverter on the ground, as it may damage them. To rest the inverter on the ground, lay it on its back, front or side.

NOTE



- Use only copper conductors rated for a minimum of 90°C/ 194°F.
- For the SE10KUS, SE20KUS, SE33.3KUS three phase inverters where opposite polarity DC conductors are routed in the same conduit, 1000V rated cables must be used.

Inverter Package Contents

- One inverter with DC Safety Unit (if applicable)
- One mounting bracket
- Two Allen screws for fastening the inverter to the mounting bracket
- DC Safety Unit sealing cover (if applicable, for use in case of inverter replacement)
- Quick Installation guide

Identifying the Inverter

Refer to the sticker on the inverter that specifies its **Serial Number** and its **Electrical Ratings**. Provide the serial number when contacting SolarEdge support. The serial number is also required when opening a new site in the monitoring platform.

Inverter Interfaces

The following figure shows the inverter connectors and components, located at the bottom of the inverter.

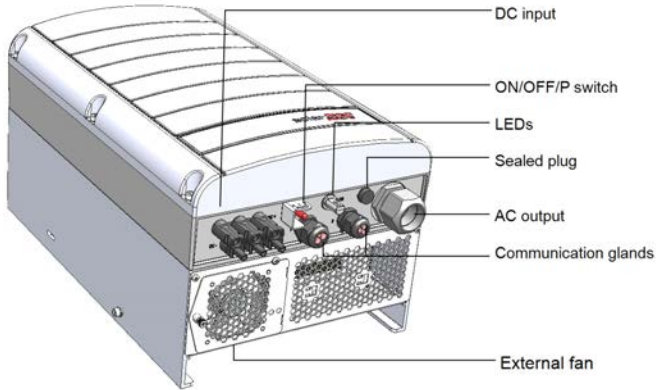


Figure 4: Inverter Interfaces

- **AC output:** AC output gland, AC cable external gauge, M32 (15-21mm diameter) for connection to the grid
- **DC input:** MC4 connector, for connection of the PV installation.
- **AC and DC conduit entries:** Connection points of the Connection Unit.
- **Two communication glands:** for connection of inverter communication options. Each gland has three openings.
- **ON/OFF/P switch:**



P = Program/Pair
1 = ON
0 = OFF

Figure 5: ON/OFF/P switch

- **ON (1)** - Turning this switch ON (after power optimizer pairing) starts the operation of the power optimizers, enables power production and allows the inverter to begin exporting power to the utility grid.
- **OFF (0)** - Turning this switch OFF reduces the power optimizer voltage to a low safety voltage and inhibits exportation of power. When this switch is OFF, the control circuitry remains powered up.
- **P** - Moving and releasing the switch allows viewing system information via the LEDs, and performing the following functions:

P Position Duration	Function	Comments
Switch moved to P for 2 seconds , then released.	<ul style="list-style-type: none"> • Displays (via LEDs) production information for 5 seconds, or error type indications (if exist) for 5 seconds. • Activates the Wi-Fi access point for connecting to the SetApp 	<p>While the switch is in P, all LEDs are ON.</p> <p>When the switch is released all LEDs turn OFF for 0.5 sec and then display the production or error indication.</p>
Switch moved to P for more than 5 seconds , then released.	Starts pairing	Pairing is indicated by all 3 LEDs blinking simultaneously.

- **LEDs:** three LEDs indicate, by color and state (on/ off/ blinking⁽¹⁾/ flickering⁽²⁾/alternating⁽³⁾), different system information, such as errors or performance indications. For more information, refer to <https://www.solaredge.com/leds>.



(1)Blinking = Turns ON and OFF for the same duration

(2)Flickering = Turns ON for 100 mS and turns OFF for 5 seconds

(3)Alternating = alternate LED flashes

The main LED indications are:

- Blue ON - the inverter is communicating with the monitoring platform
- Green ON - the system is producing
- Green blinking - AC is connected but the system is not producing
- Red ON - system error

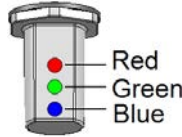


Figure 6: LEDs

The following table describes system performance information by LED color and ON/OFF/P switch position.

Indication	ON/ OFF/ P Switch Position	LED Color			Comment
		Red	Green	Blue	
Power optimizers not paired	ON (1)	OFF	Blinking	<ul style="list-style-type: none"> ■ S_OK: ON ■ No S_OK: OFF 	S_OK: ON communication with the monitoring platform is established.
Pairing		Blinking	Blinking	Blinking	
Wake-up/ Grid Monitoring		OFF	Blinking	Blinking	
System Producing		OFF	ON	<ul style="list-style-type: none"> ■ S_OK: ON ■ No S_OK: OFF 	
Night mode (no production)		OFF	Flickering	<ul style="list-style-type: none"> ■ S_OK: ON ■ No S_OK: OFF 	
Inverter is OFF (Safe DC)	OFF (0)	OFF	Blinking	<ul style="list-style-type: none"> ■ S_OK: ON ■ No S_OK: OFF 	
Inverter is OFF (DC not safe)		Blinking	Blinking	<ul style="list-style-type: none"> ■ S_OK: ON ■ No S_OK: OFF 	

Indication	ON/ OFF/ P Switch Position	LED Color			Comment
		Red	Green	Blue	
Inverter configuration or reboot	ON / P	ON	ON	ON	
Inverter firmware upgrade	ON / P	Alternating	Alternating	Alternating	The upgrade process can take up to 5 minutes
Error	Any	ON	ON/ OFF/ Blinking/ Flickering	ON/ OFF / Blinking	Refer to <i>Errors and Troubleshooting</i> on page 50

The following table describes production percentage of AC information by LED color and ON/OFF/P switch position.

Indication	ON/ OFF/ P Switch Position	LED Color			Comment
		Red	Green	Blue	
Percentage of AC Production: 0 %	ON (1)	OFF	OFF	OFF	This indicates power production as percentage of rated peak AC output power
Percentage of AC Production: 0 - 33 %		OFF	ON	OFF	
Percentage of AC Production: 33 - 66 %		OFF	OFF	ON	
Percentage of AC Production: 66 - 100 %		OFF	ON	ON	

- **DC Safety Unit** (if applicable), including:
 - **ON/OFF switch:** connects and disconnects the DC power of the system
 - **AC output:** Cable gland for connection to the grid
 - **DC input:** Cable glands or MC4 connectors for connection of the PV installation
 - **Secondary grounding** (optional): Cable gland for grounding

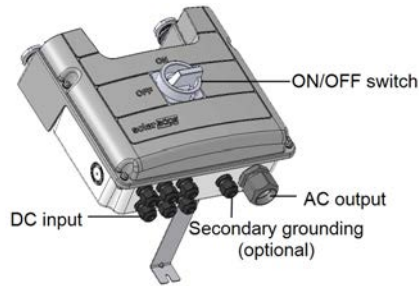


Figure 7: DC Safety Unit

NOTE

When the DC Safety Unit is OFF (for example during maintenance) it may be locked to prevent a safety hazard:



1. Move the switch to the Lock position.
2. Insert the lock through the knob opening and lock.



Lock here

Mounting the Inverter

The inverter is typically mounted vertically, and the instructions in this section are applicable for vertical installation. Some three phase inverter models can be installed horizontally (above 10° tilt) as well as vertically, and at any tilt over 10° up to 90°. For information and instructions for horizontal mounting refer to

http://www.solaredge.com/sites/default/files/application_note_horizontal_mounting_of_three_phase_inverters.pdf.



The inverter is supplied with a mounting bracket.

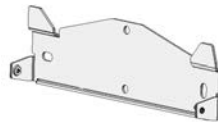


Figure 8: Mounting bracket

NOTE

Make sure the mounting surface or structure can support the weight of the inverter and bracket, and make sure that it spans the width of the bracket.

CAUTION!

HEAVY OBJECT. To avoid muscle strain or back injury, use proper lifting techniques, and if required - a lifting aid.

CAUTION!

SolarEdge inverters and power optimizers can be installed at a minimum distance of 50 m / 164 ft from the shoreline of an ocean or other saline environment, as long as there are no direct salt water splashes on the inverter or power optimizer.

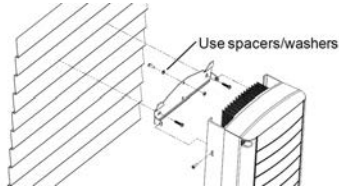
For SolarEdge inverters installed at a distance of 200 m / 655 ft or closer to the shoreline, special brackets purchased separately from SolarEdge and SS304 stainless screws are required.

1. Determine the inverter mounting location, on a wall, stud framing or pole. It is recommended to mount the inverter in a location protected from direct sunlight.
2. To allow for proper heat dissipation, follow the guidelines specified in *Application Note - Clearance Guidelines*.
<https://www.solaredge.com/sites/default/files/se-clearance-guidelines-for-multiple-inverter-mounting.pdf>
Maintaining proper clearance between the inverter and other objects prevents power reduction due to excessive temperature.
3. Position the mounting bracket against the wall/pole and mark the drilling hole locations (refer to *Mechanical Specifications* on page 54 for inverter and mounting bracket dimensions):
 - Ensure that the flat edge of the bracket is at the bottom, as in *Figure 9*.
 - Use at least two bracket holes. Additional holes can be used to fix the bracket. Determine which and how many holes to use according to mounting surface type and material.
4. Drill the holes and mount the bracket. Verify that the bracket is firmly attached to the mounting surface.



NOTE

When mounting an inverter on an uneven surface, you may use spacers/washers behind the top mounting hole of the bracket. Depending on the angle, use the appropriate size and number of spacers so that the bracket is perpendicular to the ground. Recommended: a stainless steel 3/4" long screw, with a 1/4" socket button head, two jam nuts and three washers.



5. Hang the inverter on the bracket (see *Figure 9*): Lift the inverter from the sides, or hold it at the top and bottom of the inverter to lift the unit into place. Do not lift holding the Connection Unit/DC Safety Unit as it may be damaged.
6. Align the two indentations in the inverter enclosure with the two triangular mounting tabs of the bracket, and lower the inverter until it rests on the bracket evenly.

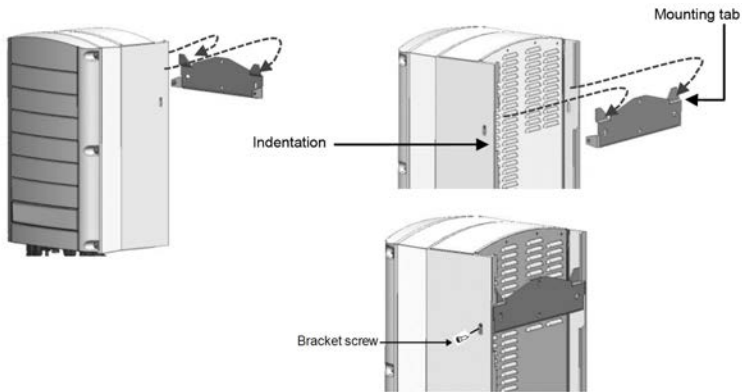


Figure 9: Hanging the inverter on the bracket

7. For inverters with Connection Unit - secure the Connection Unit bracket to the wall:

- Mark the location of the bracket screw for the DC Safety Unit and drill the hole.
- Fasten the bracket using a standard bolt.
- Verify that the bracket is firmly attached to the mounting surface.

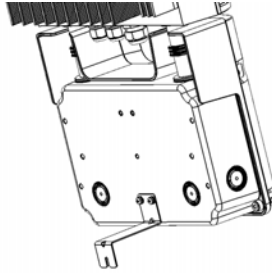


Figure 10: DC Safety Unit bracket

8. Insert the two supplied screws through the outer heat sink fin on both sides of the inverter and into the bracket (see *Figure 9*). Tighten the screws with a torque of 4.0 N*m / 2.9 lb.*ft.

Chapter 4: Connecting the AC and the Strings to the Inverter

This chapter describes how to connect the inverter to the AC grid, and to the strings of modules with power optimizers.

Grid Connection Guidelines

- In most countries, three phase inverters require neutral connection at all times. In some countries, the three phase inverters can be connected to delta grids; in other cases, multiple single phase inverters can be used.

Prior to system installation, refer to:

- Three Phase Inverters for Delta Grids application note at https://www.solaredge.com/sites/default/files/se_three_phase_inverters_for_delta_grids.pdf



- Supported Countries application note to confirm compatibility at http://www.solaredge.com/sites/default/files/se_inverters_supported_countries.pdf; installing without confirmation may void the inverter warranty.



- For more wiring information refer to the *SolarEdge Recommended AC Wiring Application Note*, available on the SolarEdge website at <http://www.solaredge.com/files/pdfs/application-note-recommended-wiring.pdf>.
- For recommended circuit breaker size per model refer to *Determining the Circuit Breaker Size* on page 67

Connecting the AC Grid to the Inverter

Use a five-wire cable for three phase connection. The maximum wire size for the input terminal blocks is 16 mm².

1. Turn OFF the AC circuit breaker.
2. Release the six Allen screws of the inverter cover and carefully move the cover horizontally before lowering it.

CAUTION!

When removing the cover, make sure not to damage internal components. SolarEdge will not be held responsible for any components damaged as a result of incautious cover removal.

- Strip 58 mm / 2.32" of the external cable insulation and strip 8 mm / 0.32" of the internal wire insulation.

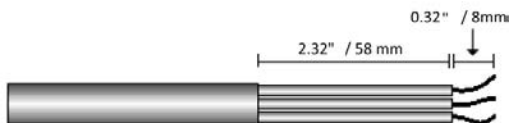


Figure 11: Insulation stripping – AC (3-wire cable)

- Open the AC cable gland and insert the cable through the gland (see).

WARNING!

Turn OFF the AC before connecting wires to the AC terminals. If connecting equipment grounding wire, connect it before connecting the AC Line and Neutral wires.

- For SE25K, SE27.6K, and SE33.3K three phase inverters, attach the supplied Ferrite bead to the AC wires:
 - Insert the AC wires through the supplied bead.
 - Connect the AC wires to the terminal blocks as described in the next steps.
 - Tighten the wires to the bead using the supplied T-wrap.

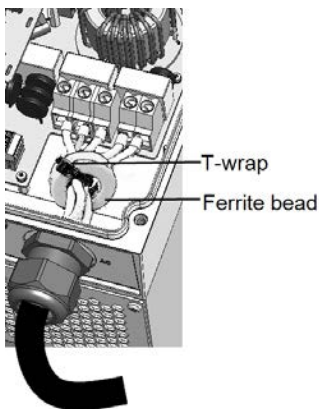

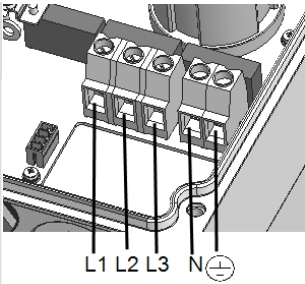


Figure 12: Attaching a Ferrite bead

6. Connect the AC, as follows. Connect the PE (grounding) wire first.

Wire type	Connect to terminal
Line 1	L1
Line 2	L2
Line 3	L3
Neutral	N
PE (grounding)	



The diagram shows a terminal block with five terminals labeled L1, L2, L3, N, and PE. Wires are shown connected to each terminal. The PE terminal has a grounding symbol. The L1, L2, and L3 terminals are connected to three separate lines. The N terminal is connected to a neutral wire. The PE terminal is connected to a grounding wire.

Figure 13: AC Terminals

NOTE



If power control is enabled, it is important to respect the order of grid lines connection to the inverter. A 120deg phase difference should be kept between L1 to L2 and between L2 to L3 (L1-L2-L3 and not, for example L1-L3-L2).

If the grid lines are not in this order, an error is displayed on the SetApp screen and the inverter will not produce power.

7. Connect the wires to the appropriate terminal block connectors in the inverter. Tighten the terminal block screws with a torque of 1.2-1.5 N*m / 0.88-1.1 lb*ft.
8. Check that the wires are fully inserted and cannot be pulled out easily.
9. Tighten the AC cable gland with a torque of 2.8-3.3 N*m / 2.0-2.4 lb*ft.
10. Verify that there are no unconnected wires to the inverter and that the unused terminal screws are tightened.

Connecting the Strings to the Inverter

Connect the string to the DC input pairs. If required, connect additional strings in parallel using an external combiner box/branch cables before connecting to the inverter.

NOTE



Functional electrical earthing of DC-side negative or positive poles is prohibited because the inverter has no transformer. Grounding (earth ground) of module frames and mounting equipment of the PV array modules is acceptable.

NOTE



SolarEdge's fixed input voltage architecture enables the parallel strings to be of different lengths. Therefore, they do not need to have the same number of power optimizers, as long as the length of each string is within the permitted range.

Connect the DC connectors of each string to the DC+ and DC- connectors. See *Figure 4*.

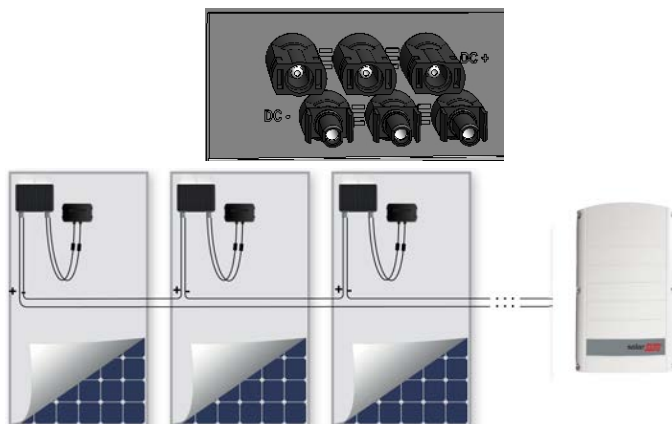


Figure 14: Inverter DC Connections

Selecting a Residual Current Device (RCD)

IMPORTANT SAFETY FEATURE



All SolarEdge inverters incorporate a certified internal Residual Current Device (RCD) in order to protect against possible electrocution and fire hazard in case of a malfunction in the PV array, cables or inverter. There are two trip thresholds for the RCD as required for certification (DIN VDE 0126-1-1). The default value for electrocution protection is 30 mA, and for slow rising current is 300 mA.

If an external RCD is required by local regulations, check which type of RCD is required for the relevant electric code. Install the residual-current device (RCD) in accordance with the applicable local standards and directives. SolarEdge recommends using a type-A RCD. The recommended RCD value is 100 mA or 300 mA unless a lower value is required by the specific local electric codes. When required by local regulations, the use of an RCD type B is permitted.



NOTE

For multiple inverters, an RCD per inverter is required.

In installations where the local electric code requires an RCD with a lower leakage setting, the discharge current might result in nuisance tripping of the external RCD. The following steps are recommended to avoid nuisance tripping of the external RCD:

- Select the appropriate RCD for correct operation of the installation: An RCD with a rating of 30 mA may actually trip at a leakage as low as 15 mA (according to IEC

61008). High quality RCDs will typically trip at a value closer to their rating.

- Configure the trip voltage of the inverter's internal RCD to a lower value than the trip current of the external RCD. The internal RCD will trip if the current is higher than the allowed current, but because the internal inverter RCD automatically resets when the residual currents are low it saves the manual reset.

For detailed information, refer to the *RCD Selection for SolarEdge Inverters Application Note*, available on the SolarEdge website at http://www.solaredge.com/sites/default/files/application_note_ground_fault_rcd.pdf.



Chapter 5: Activating, Commissioning and Configuring the System

You can connect communication options at this stage, as described in *Setting Up Communication to the Monitoring Platform* on page 39.

After completing all connections, activate and commission the system using the inverter SetApp mobile application. You can download the SetApp from the Apple App Store and Google Play before arriving at the site.



Internet connection is required for the download, one-time registration, and logging in, but not required for using the SetApp.

Step 1: Activating the Installation

During system activation, a Wi-Fi connection is created between the mobile device and the inverter and the system firmware is upgraded.

Before activation

- Download, register (first time only) and log-in to SetApp on your mobile device. Verify that the application is updated with the latest version.
- If applicable, turn on all devices (battery, Energy Meter) connected to the inverter, so that the devices may be auto-detected.

→ To activate the inverter:

1. Turn ON the AC circuit breaker on the main distribution panel.
2. Open SetApp and follow the on-screen instructions (scan the inverter bar-code; move the ON/OFF/P switch to P position for 2 seconds and release).

SetApp creates a Wi-Fi connection, upgrades the inverter firmware and activates the inverter.

3. When the activation is complete, do one of the following:
 - Select **Connect to Another Device** to continue activating additional inverters.
 - Select **Start Commissioning** for pairing and other system configuration.

Step 2: Commissioning and Configuring the Installation

This section describes how to use the SetApp menus for commissioning and configuring the inverter settings.

Menus may vary in your application depending on your system type.

→ To access the **Commissioning** screen:

Do one of the following:

- During first time installation: Upon activation completion, in the SetApp, tap **Start Commissioning**.
- If the inverter has already been activated and commissioned:
 - If not already ON - turn ON AC to the inverter by turning ON the circuit breaker on the main distribution panel.
 - Open SetApp and follow the on-screen instructions (scan the inverter QR code, move the ON/OFF/P switch to P position for 2 seconds and release).
The mobile device creates a Wi-Fi connection with the inverter and displays the main Commissioning screen.

Setting Country, Grid and Language

The inverter must be configured to the proper settings in order to ensure that it complies with the country grid code and functions.

1. From the **Commissioning** screen select **Country & Grid**.
2. From the **Country & Grid** drop-down list, select the required option and tap **Set Country & Grid**.
3. From the **Language** drop-down list, select your language and tap **Set Language**.

Pairing

1. From the **Commissioning** menu, select **Pairing**.
2. Tap **Start Pairing**.
3. When **Pairing Complete** is displayed, the system startup process begins:

Since the inverter is ON, the power optimizers start producing power and the inverter starts converting AC.

WARNING!



When you turn ON the inverter ON/OFF/P switch, the DC cables carry a high voltage and the power optimizers no longer output a safe output.

When the inverter starts converting power after the initial connection to the AC, the inverter enters Wake up mode until its working voltage is reached. This mode is indicated by the flickering green inverter LED.

When working voltage is reached, the inverter enters Production mode and produces power. The steadily lit green inverter LED indicates this mode.

4. Tap **OK** to return to the **Commissioning** menu.

Communication

Communication settings can be configured only after communication connections are complete. Refer to *Setting Up Communication to the Monitoring Platform* on page 39.

- Select **Monitoring Communication** to configure communication with the monitoring platform.
- Select **Site Communication** to configure communication between multiple SolarEdge devices or external non-SolarEdge devices, such as batteries or loggers.

Power Control

Power control options are detailed in the *Power Control Application Note*, available on the SolarEdge website at https://www.solaredge.com/sites/default/files/application_note_power_control_configuration.pdf.



The Grid Control option may be disabled. Enabling it opens additional options in the menu.

The Energy Manager option is used for setting power export limitation, as described in the *Export Limitation Application Note*, available on the SolarEdge website at https://www.solaredge.com/sites/default/files/feed-in_limitation_application_note.pdf.



Step 3: Verifying Proper Activation and Commissioning

1. Select **Information** and verify that the correct firmware versions are installed on each inverter.
2. Select **Status** and verify that inverter is operating and producing power.
3. Verify that additional configurations were properly set by viewing the relevant Status screens.
4. Verify that the green inverter LED is steadily lit.

Your SolarEdge power harvesting system is now operational.

Reporting and Monitoring Installation Data

Monitoring the site requires connecting the inverter to the monitoring platform, using any of the wired or wireless options available from SolarEdge. Refer to *Setting Up Communication to the Monitoring Platform* on page 39.

The Monitoring Platform

The monitoring platform provides enhanced PV performance monitoring and yield assurance through immediate fault detection and alerts at the module, string and system level.

Using the platform, you can:

- View the latest performance of specific components.
- Find under-performing components, such as modules, by comparing their performance to that of other components of the same type.
- Pinpoint the location of alerted components using the physical layout.

The monitoring platform enables accessing site information, including up-to-date information viewed in a physical or logical view:

- **Logical Layout:** Shows a schematic tree-layout of the components in the system, such as: inverters, strings, modules, meters and sensors, as well as their electrical connectivity. This view enables you to see which modules are connected in each string, which strings are connected to each inverter, and so on.
- **Physical Layout:** Provides a bird's eye view of the actual placement of modules in the site, and allows pinpoint issues to the exact location of each module on a virtual site map.

If you do not report the mapping of the installed power optimizers, the monitoring platform will show the logical layout indicating which power optimizers are connected to which inverter, but will not show strings or the physical location of power optimizers.

The monitoring platform includes a built-in help system, that guides you through the monitoring functionality.

For more information, refer to <https://www.solaredge.com/products/pv-monitoring#/>.



Creating Logical and Physical Layout using Installation Information

To display a logical layout, insert the inverter serial number in the new site created in the monitoring platform. When the communication between the inverter and the monitoring server is established, the logical layout is displayed.

To display a physical layout, you need to map the locations of the installed power optimizers. To map the locations, use one of the methods described in the next sections.

Designer

Designer recommends inverter and power optimizer selection per site size and enables report generation. You can create a project in Designer and export the site design with the string layout to the monitoring platform.

For more information, refer to

<https://www.solaredge.com/products/installer-tools/designer#/>.



Mapper Application

Use the Mapper smart phone application to scan the power optimizer and inverter 2D bar-codes and create a virtual map of a PV site for enhanced monitoring and easier maintenance.

The Mapper application is integrated with the monitoring platform and enables:

- Simple on-site registration of new systems.
- Creating, editing and verifying system physical layout.
- Scanning and assigning the power optimizer serial number to the correct module in the system physical layout.

For detailed information, refer to the *Mapper* demo movies:

- [Creating new sites using the Mapper mobile application](#)



- [Mapping existing sites using the Mapper mobile application](#)



Physical Layout Editor

1. If you are a registered installer, access the monitoring platform site creation page at <https://monitoring.solaredge.com/solaredge-web/p/home#createSites>. If you have not yet signed up, go to <https://monitoring.solaredge.com/solaredge-web/p/createSelfNewInstaller>.
2. Fill out all required information in the screen, which includes information about your installation, as well as details about its logical and physical mapping.



Using a Paper Template

Fill out the Physical Layout Template (downloadable from the SolarEdge website <http://www.solaredge.com/files/pdfs/physical-layout-template.pdf>) using the detachable 2D barcode stickers on each power optimizer. Once the form is completed, use the Mapper to scan the 2D codes and create the map in the monitoring platform. Optionally, you can send the sticker sheet to SolarEdge Support for physical layout creation.



Chapter 6: Setting Up Communication to the Monitoring Platform

The inverter sends the following information to the monitoring platform:


- Power optimizer information received via the DC power lines (the PV output circuit)
- Inverter information
- Information of any other connected devices

This chapter describes how to set up communication between:

- The inverter and the monitoring platform through the Internet (wired/ wireless)
- Multiple inverters for a leader-follower configuration

Communication setup is not required for power harvesting, however it is needed for using the monitoring platform .

CAUTION!

 When connecting the communication cables, make sure that the ON/OFF/P switch at the bottom of the inverter (and the switch of the DC Safety Unit if applicable) is turned OFF, and the AC is turned OFF.

When configuring the communication parameters *while the inverter cover is removed*, make sure that the ON/OFF/P switch (and the switch of the DC Safety Unit if applicable) is OFF, and the AC is turned ON.

Communication Options

The following types of communication can be used to transfer the monitored information from the inverter to the monitoring platform.

Only communication products offered by SolarEdge are supported.

Always connect the communication options when the relevant devices are powered down - Commercial Gateway, inverter, etc.

Ethernet

Ethernet is used for a LAN connection.

RS485

RS485 is used for the connection of multiple SolarEdge devices on the same bus in a leader-follower configuration. RS485 can also be used as an interface to external devices, such as meters and third party data loggers.

Wi-Fi

This communication option enables using a Wi-Fi connection for connecting to the monitoring platform.

The Wi-Fi access point is built into the inverter. An antenna is required and available from SolarEdge for connection to the monitoring platform.

Wireless Gateway, Wireless Repeater(s)

The Wireless Gateway collects inverter data using a dedicated Wi-Fi connection and connects to the monitoring platform with the help of a home router. Wireless Repeater(s) extend the Wi-Fi signal range between the Wireless Gateway and inverter. Wireless Gateway and Wireless Repeaters can be purchased separately from SolarEdge. For more information, refer to <https://www.solaredge.com/sites/default/files/se-wireless-gateway-wireless-repeater-installation-guide.pdf>.



Cellular

This wireless communication option enables using a cellular connection to connect one or several devices (depending on the data plan used) to the monitoring platform.

The Cellular Plug-in is provided with a user manual, which should be reviewed prior to connection. Refer to <https://www.solaredge.com/sites/default/files/se-cellular-plug-in-for-inverters-with-setapp-installation-guide.pdf>



ZigBee

This option enables wireless connection to one or several Smart Energy products, which automatically divert PV energy to home appliances.

The Smart Energy ZigBee connections require a ZigBee plug-in and an external antenna, available from SolarEdge.

The ZigBee Plug-in for Smart Energy is provided with an installation guide, which should be reviewed prior to connection. Refer to <https://www.solaredge.com/sites/default/files/se-zigbee-plug-in-for-setapp-installation-guide.pdf>

The Smart Energy products are provided with an installation guide, which should be reviewed prior to connection. Refer to https://www.solaredge.com/products/device-control#.



Communication Connectors

Two communication glands are used for connection of the various communication options. Each gland has three openings. The table below describes the functionality of each opening. Unused openings should remain sealed.

Gland#	Opening	Functionality	Cable size (diameter)
1 (PG16)	One small	External antenna cable	2-4 mm
	Two large	Ethernet connection (CAT6), Cellular, ZigBee, or Wi-Fi	4.5-7 mm
2 (PG13.5)	All three	RS485, power reduction	2.5-5 mm

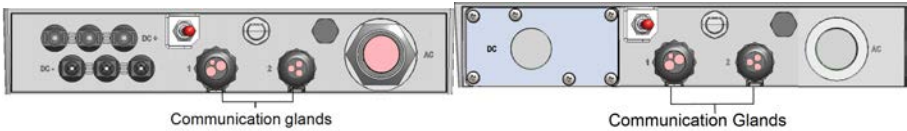


Figure 15: Communication Glands

The communication board has a standard RJ45 terminal block for Ethernet connection, and a 6-pin terminal block for RS485 connection, as shown below:



Figure 16: Internal connectors

Removing the Inverter Cover

1. Switch the inverter ON/OFF/P switch to OFF. Wait 5 minutes for the capacitors to discharge.
2. Turn the DC Safety Unit (if applicable) to OFF.
3. Disconnect the AC to the inverter by turning OFF the circuit breakers on the distribution panel.
4. Open the Allen screws of the inverter cover and carefully pull the cover horizontally before lowering it.

CAUTION!



When removing the inverter cover, make sure not to damage the internal components. SolarEdge will not be held responsible for any components damaged as a result of incautious cover removal.

Removing the DC Safety Unit Cover (if applicable)

1. Turn OFF the AC breaker of the distribution panel and the safety switch (if applicable).
2. Open the DC Safety Unit cover: Release the four Allen screws and remove the cover.

CAUTION!



When removing the DC Safety Unit cover, make sure not to damage the internal components. SolarEdge will not be held responsible for any components damaged as a result of incautious cover removal.

Creating an Ethernet (LAN) Connection

This communication option enables using an Ethernet connection to connect the inverter to the monitoring platform through a LAN.

Ethernet cable specifications:

- Cable type – a shielded Ethernet cable (CAT6) may be used
- Maximum distance between the inverter and the router – 100 m/ 330 ft.

NOTE



If using a cable longer than 10 m / 33 ft in areas where there is a risk of induced voltage surges by lightning, it is recommend to use external surge protection devices.



For details refer to:

http://www.solaredge.com/files/pdfs/lightning_surge_protection.pdf.

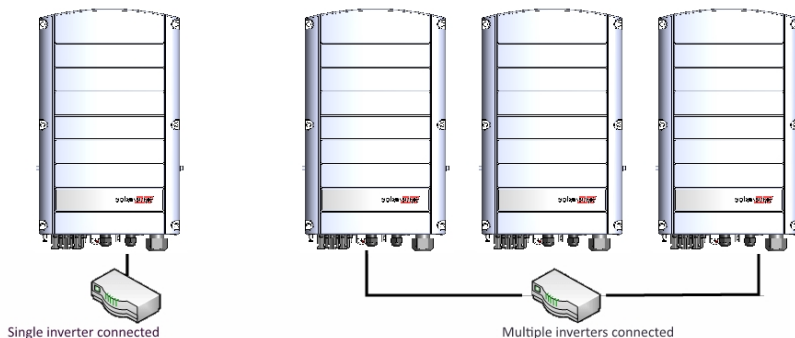


Figure 17: Example of Ethernet connection

→ **To connect the Ethernet cable:**

1. Remove the inverter cover .
2. Open the communication gland #1.

CAUTION!



The gland includes a rubber waterproof fitting, which should be used to ensure proper sealing.

3. Remove the plastic seal from one of the large opening .
4. Remove the rubber fitting from the gland and insert the CAT6 cable through the gland and through the gland opening in the inverter
5. Push the cable into the cut opening of the rubber fitting.

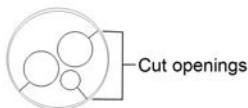


Figure 18: Rubber fitting

CAT6 standard cables have eight wires (four twisted pairs), as shown in the diagram below. Wire colors may differ from one cable to another. You can use either wiring standard, as long as both sides of the cable have the same pin-out and color-coding.

RJ45 Pin #	Wire Color ⁽¹⁾		10Base-T Signal 100Base-TX Signal
	T568B	T568A	
1	White/Orange	White/Green	Transmit+
2	Orange	Green	Transmit-
3	White/Green	White/Orange	Receive+
4	Blue	Blue	Reserved
5	White/Blue	White/Blue	Reserved
6	Green	Orange	Received-
7	White/Brown	White/Brown	Reserved
8	Brown	Brown	Reserved

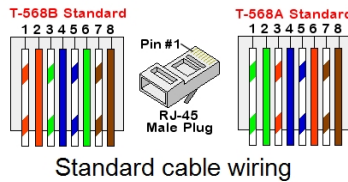


Figure 19: Standard cable wiring

6. Use a pre-terminated cable to connect via gland #1 to the RJ45 plug on the inverter's communication board or, if using a spool of cable, connect as follows:
 - a. Insert the cable through gland #1.
 - b. Remove the cable's external insulation using a crimping tool or cable cutter and expose eight wires.
 - c. Insert the eight wires into an RJ45 connector, as described in *Figure 19*.
 - d. Use a crimping tool to crimp the connector.
 - e. Connect the Ethernet connector to the RJ45 port on the communication board.

⁽¹⁾The inverter connection does not support RX/TX polarity change. Supporting crossover Ethernet cables depends on the switch capabilities.

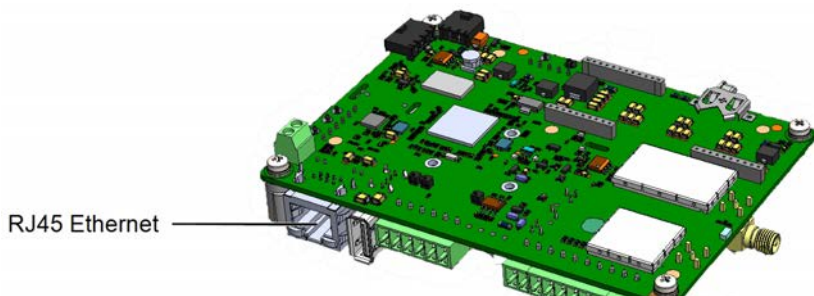


Figure 20: The RJ45 Ethernet connection

7. For the switch/router side, use a pre-crimped cable or use a crimper to prepare an RJ45 communication connector: Insert the eight wires into the RJ45 connector in the same order as above (*Figure 19*).
8. Connect the cable RJ45 connector to the RJ45 port of the Ethernet switch or router. You can connect more than one inverter to the same switch/router or to different switches/routers, as needed. Each inverter sends its monitored data independently to the monitoring platform.
9. The inverter is configured by default to LAN. If reconfiguration is required:
 - a. Make sure the ON/OFF/P switch is OFF.
 - b. Turn ON the AC to the inverter by turning ON the circuit breaker on the main distribution panel.
 - c. Configure the connection as described in *Communication* on page 35.

NOTE



If your network has a firewall, you may need to configure it to enable the connection to the following address:

- Destination Address: prodssl.solaredge.com
- TCP Port: **443** (for incoming and outgoing data)

10. Verify the connection, as described in *Verifying the Connection* on page 49.

Creating RS485 Bus Connection

The RS485 option enables creating a bus of connected inverters, consisting of up to 31 follower inverters and 1 leader inverter. Using this option, inverters are connected to each other in a bus (chain), via their RS485 connectors. The first and last inverters in the chain must be terminated as described on page 48.

RS485 wiring specifications:

- Cable type: CAT6 and higher with shielding protection of the twisted pairs of wires and an outer foil or braided shielding
- Wire cross-section area: 0.2- 1 mm²/ 24-18 AWG
- Maximum nodes: 32
- Maximum distance between first and last devices: 1 km /3300 ft.

NOTE

If using a cable longer than 10 m/33 ft in areas where there is a risk of induced voltage surges by lightning, it is recommended to use external surge protection devices. For details refer to:

https://www.solaredge.com/sites/default/files/lightning_surge_protection.pdf.



If grounded metal conduits are used for routing the communication wires, a lightning protection device is not required.

If not using surge protection, connect the grounding wire to the first inverter in the RS485 chain; ensure it is not in contact with other wires. For inverters with a DC Safety Unit, connect the grounding wire to the grounding bus-bar in the DC Safety Unit.

The following sections describe how to physically connect the RS485 bus and how to configure the bus.

→ To connect the RS485 communication bus:

1. Remove the inverter cover as described in *Removing the Inverter Cover* on page 42.
2. Remove the seal from one of the openings in communication gland #2 and insert the wire through the opening.
3. Pull out the 6-pin RS485 terminal block connector, as shown below.

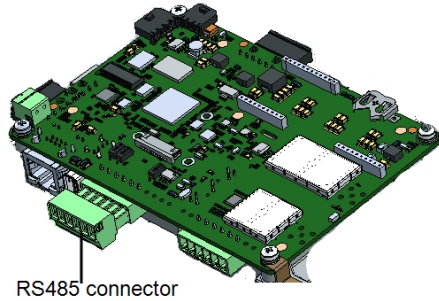


Figure 21: RS485 terminal block on the communication board

- Loosen the screws of pins A(+), B(-), and G on the left of the RS485 terminal block (RS485-1 or RS485-2).

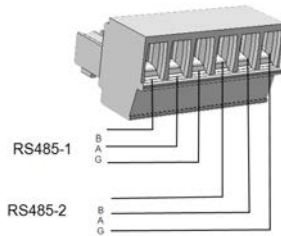


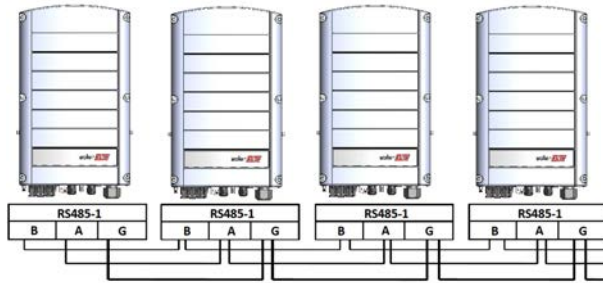
Figure 22: RS485 terminal block

- Insert the wire ends into the **G**, **A** and **B** pins shown above. Use Four- or six-wire twisted pair cable for this connection.

You can use any color wire for each of the **A**, **B** and **G** connections, as long as:

- The same color wire is used for all A pins the same color for all B pins and the same color for all G pins
- The wire for G is not from the same twisted pair as A or B.

- For creating an RS485 bus - connect all B, A and G pins in all inverters.

**NOTE**

Do not cross-connect B, A and G wires.

7. Tighten the terminal block screws.
8. Check that the wires are fully inserted and cannot be pulled out easily.
9. Push the RS485 terminal block firmly all the way into the connector on the right side of the communication board.
10. Terminate the first and last SolarEdge device in the chain by switching a termination DIP-switch inside the inverter to ON (move the left switch up). The switch is located on the communication board and is marked SW7SW1.

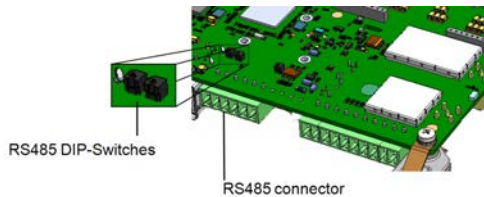


Figure 23: RS485 termination switch

NOTE

Only the first and last SolarEdge devices in the chain should be terminated. The other inverters in the chain should have the termination switch OFF (down position).

11. If not using surge protection, connect the grounding wire to the first inverter in the RS485 chain; make sure the grounding wire is not in contact with other wires. For inverters with a DC Safety Unit, connect the grounding wire to the grounding busbar in the DC Safety Unit.

RS485 Bus Configuration

→ To connect to the monitoring platform:

1. Designate a single inverter as the connection point between the RS485 bus and the monitoring platform. This inverter will serve as the leader inverter.
2. Connect the leader to the monitoring platform via the LAN option (refer to) or any of the other options.

→ To configure the RS485 bus:

All inverters are configured by default as followers. To configure the leader:

1. Verify the ON/OFF/P switch is OFF.
2. Verify that AC is on.
3. Use SetApp to access the **Commissioning** menu screen as described in *Communication* on page 35.
4. From the **Commissioning** menu tap **Site Communication**.
5. Select the following to configure the connection:

■ RS485-1 > Modbus (Multi-Device)

■ RS485-1 > SolarEdge > SolarEdge Leader

■ RS485-1 > Follower Detect

The system starts automatic detection of the follower inverters connected to the leader inverter. The inverter should report the correct number of followers. If it does not, verify the connections and terminations.

6. To check the follower IDs and last communication time, select **RS485-1 > Follower List**.
7. Verify the connection of the leader to the monitoring platform, as described below.

Verifying the Connection

After connecting and configuring a communication option, perform the following steps to check that the connection to the monitoring server has been successfully established.

1. Go to **Commissioning > Status**.
2. In the **Summary** section, under **Server Comm.**, make sure **S_OK** is displayed together with the selected communication option.
3. Scroll down to the **Communication** section and check that the communication options are as required.

Appendix A: Errors and Troubleshooting

This chapter describes general system problems, and how to troubleshoot them. For further assistance, contact SolarEdge Support.

Identifying Errors

Errors may be indicated in various system interfaces: On the inverter bottom panel, a red LED indicates an error. In the monitoring platform and SetApp, errors are displayed with codes.

For more information on the codes displayed for error and warning messages, refer to <http://www.solaredge.com/sites/default/files/se-inverter-installation-guide-error-codes.pdf>. This document describes errors that appear in SetApp, monitoring platform, and LCD (for inverters with LCD). To identify the error types, use the methods described below.



→ To identify the error type using the inverter LEDs:

1. Move the ON/OFF/P switch to **P** position for **2 seconds** and release it.
2. Observe the LED lights and use the following table to identify the error type. For more information, refer to <https://www.solaredge.com/leds>.



Error type	LED color and state		
	Red	Green	Blue
Arc detected	ON	OFF	OFF
Isolation or RCD problem	Blinking	OFF	OFF
Grid error	OFF	ON	OFF
High temperature	OFF	Blinking	OFF
Pairing failed	OFF	OFF	ON
Other issue	OFF	OFF	Blinking

→ To identify the error type using the monitoring platform:

1. Open the site dashboard and click the **Layout** icon.
2. Right-click the inverter and select **Info** from the menu. The inverter details window is displayed.
3. Click the **Errors** tab. The list is displayed.

Troubleshooting Communication

Troubleshooting Ethernet (LAN) Communication

The possible errors and their troubleshooting are detailed in the following table:

Error Message	Possible Cause and Troubleshooting
LAN cable disconnected	Physical connection fault. Check the cable pin-out assignment and cable connection.
No DHCP	IP settings issue. Check the router and inverter configuration. Consult your network IT.
Configure Static IP or set to DHCP	
Gateway not responding	Ping to router failed. Check the physical connection to the switch/ router. Check that the link LED at the router /switch is lit (indicating phy-link). If OK - contact your network IT, otherwise replace the cable or change it from cross to straight connection.
No Internet connection	Ping to google.com failed. Connect a laptop and check for internet connection. If internet access is unavailable, contact your IT admin or your internet provider. For Wi-Fi networks, ensure that user-name and password are as defined in the internet provider AP/ router.

Troubleshooting RS485 Communication

- If the message **RS485 Leader Not Found** appears in the Status screen, check the connections to the leader device and fix if required.

- If after follower detection the number of followers displayed for the leader under **RS485-1 > Follower Detect** is lower than the actual number of followers, refer to the following application note to identify missing followers and troubleshoot connectivity problems:


https://www.solaredge.com/sites/default/files/troubleshooting_undetected_RS485_devices.pdf

Additional Troubleshooting

1. Check that the modem or hub/router is functioning properly.
2. Check that the connection to the internal connector on the communication board is properly done.
3. Check that the selected communication option is properly configured.
4. Use a method independent of the SolarEdge device to check whether the network and modem are operating properly. For example, connect a laptop to the Ethernet router and connect to the Internet.
5. Check whether a firewall or another type of network filter is blocking communication.

Power Optimizer Troubleshooting

Malfunction	Possible Cause and Corrective Action
Pairing failed	Power optimizers are shaded. If you connected the inverter to the monitoring platform, retry pairing remotely (during sunlight). Make sure to leave the inverter ON/OFF/P switch ON and that S_OK appears in the status screen.
String voltage is 0V	Power optimizer (s) output is disconnected. Connect all power optimizer outputs.
String voltage not 0V but lower than number of optimizers	Power optimizer(s) not connected in the string. Connect all power optimizers.
	Panel(s) not connected properly to power optimizer inputs (not applicable to smart modules). Connect the modules to the optimizer inputs.
	String reverse polarity. Check string polarity using a voltmeter and correct if needed.

Malfunction	Possible Cause and Corrective Action
<p>String voltage is higher than number of optimizers</p> <p>WARNING! If the measured voltage is too high, the installation may not have a safe low voltage. PROCEED WITH CARE! A deviation of $\pm 1\%$ per string is reasonable.</p> 	<p>Extra power optimizer(s) connected in the string (not applicable to smart modules). Check if an extra power optimizer is connected in the string. If not – proceed to next solution.</p> <p>A module is connected directly to the string, without a power optimizer (not applicable to smart modules). Verify that only power optimizers are connected in the string and that no module outputs are connected without a power optimizer. If the problem persists, proceed to the next step.</p> <p>Power optimizer(s) malfunction.</p> <ol style="list-style-type: none"> 1. Disconnect the wires connecting the power optimizers in the string. 2. Measure the output voltage of each power optimizer to locate the power optimizer that does not output 1V safety voltage. If a malfunctioning power optimizer is located, check its connections, polarity, module, and voltage. 3. Contact SolarEdge Support. Do not continue before finding the problem and replacing the malfunctioning power optimizer. If a malfunction cannot be bypassed or resolved, skip the malfunctioning power optimizer, thus connecting a shorter string.

Appendix B: Mechanical Specifications

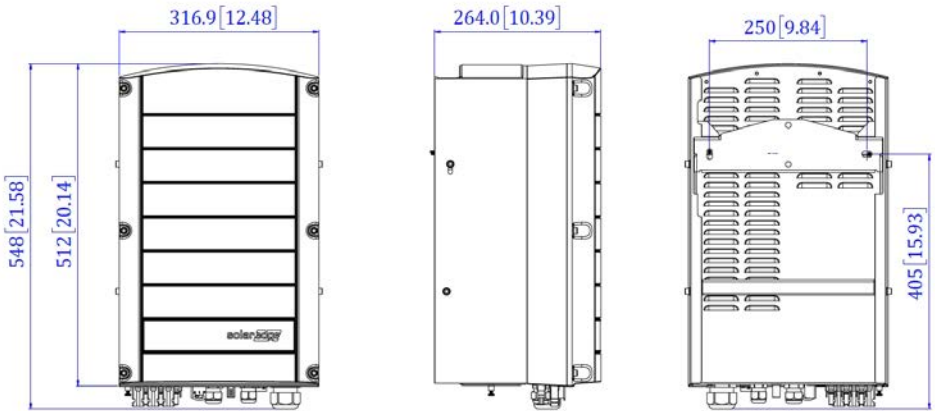


Figure 24: Inverter with bracket - front, side and rear views

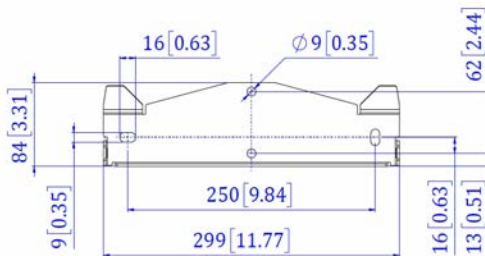


Figure 25: Inverter mounting bracket

Appendix C: Connecting the AC and DC Strings to the DC Safety Unit

Some inverter models are supplied with an integrated DC Safety Unit. This appendix describes how to connect the AC grid and DC strings to the DC Safety Unit.

The DC Safety Unit includes:

- Mechanical DC switch (2-pole disconnection)
- DC surge protection (SPD, Type II)
- DC fuses (plus & minus; optional)

This appendix describes connections to DC Safety Unit with or without fuses. The following figure illustrates the DC Safety Unit supplied with fuses.

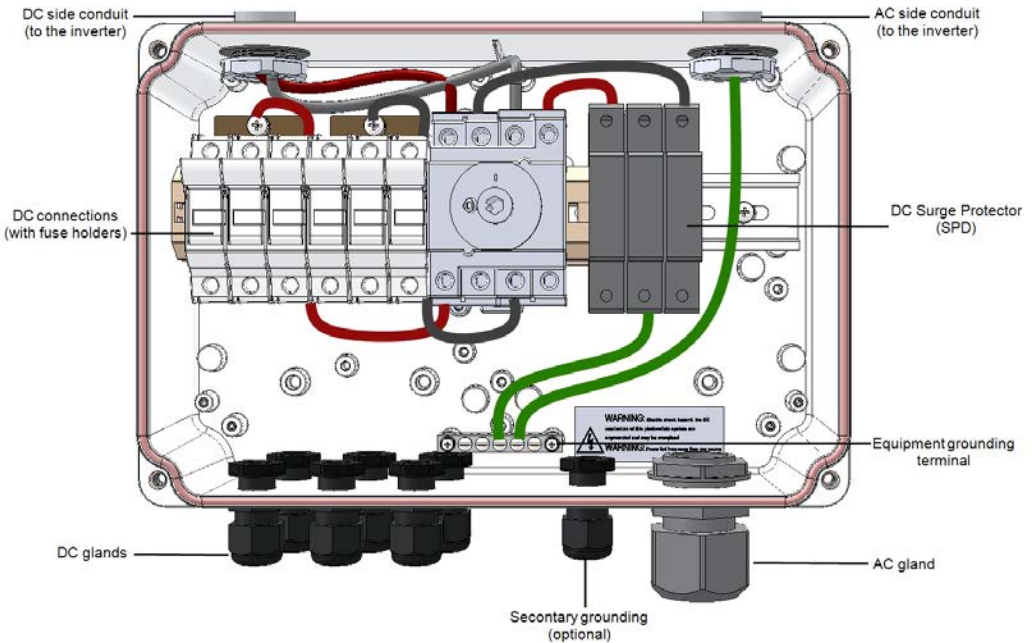


Figure 26: Inside the DC Safety Unit with fuses

Connecting the AC Grid to the Inverter

Use a five-wire cable for this connection. The maximum wire size for the input terminal blocks is 16 mm².

→ To connect the AC grid to the inverter via the DC Safety Unit:

1. Turn OFF the following:
 - The inverter ON/OFF/P switch
 - The AC circuit breaker
 - The DC Safety Unit
2. Open the inverter cover: Release the Allen screws and carefully move the cover horizontally before lowering it.

CAUTION!



When removing the cover, make sure not to damage internal components. SolarEdge will not be held responsible for any components damaged as a result of incautious cover removal.

3. Loosen the screws on the front cover of the DC Safety Unit, as shown below:

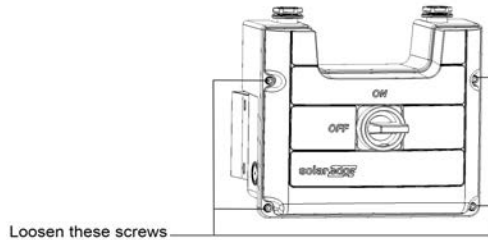


Figure 27: Opening the DC Safety Unit cover

4. Remove the DC Safety Unit cover.
5. Strip 35 cm of the external cable insulation and strip 8 mm of the internal wire insulation.

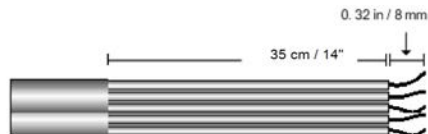


Figure 28: Insulation stripping – AC

6. Open the AC cable gland and insert the cable through the gland (see *Figure 26*).

7. Connect the grounding wire to the equipment grounding terminal in the DC Safety Unit.

NOTE

Connect the equipment grounding before connecting the AC wires to the AC terminal block.

8. Insert the remaining four wires through the AC conduit to the inverter, and connect them to the appropriate terminal blocks in the inverter according to the labels on the terminal blocks (N, L1, L2 and L3).

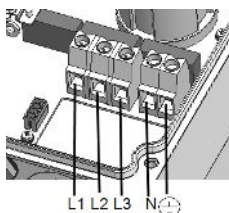


Figure 29: AC Terminals

9. Tighten the screws of each terminal with a torque of 1.2-1.5 N*m / 0.88-1.1 lb*ft.
10. Check that the wires are fully inserted and cannot be pulled out easily.
11. Tighten the AC cable gland with a torque of 5.0 N*m / 44 lb*in.
12. Verify that there are no unconnected wires.
13. Make sure the SPDs are tightly attached to the DIN rail.

NOTE

If power control is enabled, it is important to respect the order of grid lines connection to the inverter. A 120deg phase difference should be kept between L1 to L2 and between L2 to L3 (L1-L2-L3 and not, for example L1-L3-L2). If the grid lines are not in this order, an error is displayed on the SetApp screen and the inverter will not produce power.

Connecting the Strings to the DC Safety Unit

Up to three strings may be connected in parallel to the DC input pairs of the switch. The terminals are suitable for connection of copper conductors only.

→ To connect the strings to the DC Safety Unit:

1. Strip 8 mm of the DC wire insulation.
2. Insert the wires into the DC input glands of the DC Safety Unit .
3. Connect the DC wires according to the DC+ and DC- labels:

- For DC terminals *without fuses*: Use a standard flat-blade screwdriver to connect the wires to the spring-clamp terminals.
 - The screwdriver blade should fit freely in the terminal opening. Too large a blade can crack the plastic housing.
 - Insert the screwdriver and press the release mechanism and open the clamp.
 - Insert the conductor into the round opening and remove the screwdriver – the wire is automatically clamped.

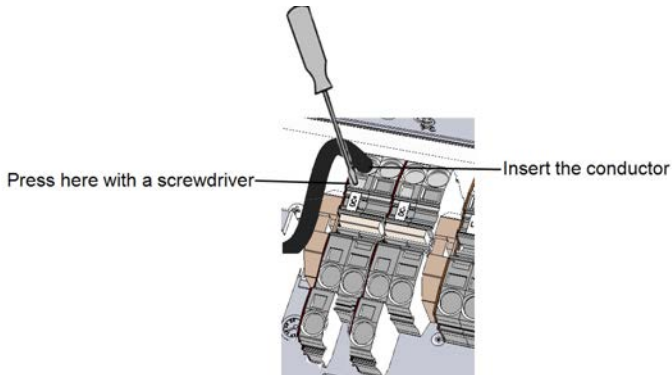


Figure 30: Spring-clamp terminals

- For DC terminals *with fuses*:
 - Insert the wires into the side openings.
 - Fasten the screws at the top of the fuses. Apply torque of 3.4 N*M / 30 lb*in.

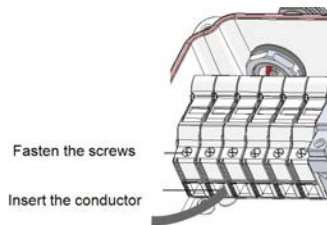


Figure 31: DC connection with fuses

4. Verify that there are no unconnected wires.
5. Close the DC Safety Unit cover: Attach the cover and secure it by tightening the four screws with a torque of 1.2 N*m / 0.9 ft.*lb.
6. Ensure proper cable entry sealing: inspect the entire cable run and use standard sealants to avoid water penetration.

Appendix D: SafeDC™

The SolarEdge inverters are certified for compliance with the following standards as disconnection devices for PV generators, meaning that they can replace a DC disconnect:

- IEC 60947-3:1999 + Corrigendum: 1999 + A1:2001 + Corrigendum 1:2001 + A2:2005;
- DIN EN 60947-3
- VDE 0660-107:2006-03
- IEC 60364-7-712:2002-05
- DIN VDE 0100-712:2006-06.

In compliance with these standards, follow the instructions below to disconnect DC power:

1. Move the inverter P/ON/OFF switch to OFF (0).
2. Disconnect the AC to the inverter by turning OFF the circuit breakers on the distribution panel.

WARNING!

SafeDC complies with IEC60947-3 when installing the system with a worst case SafeDC voltage (under fault conditions) $< 120V$.

The worst case voltage is defined as: $V_{oc,max} + (\text{String Length} - 1) * 1V$, where:



- $V_{oc,max}$ = Maximum V_{oc} (at lowest temperature) of the PV module in the string (for a string with multiple module models, use the max value)
 - String Length = number of power optimizers in the string
-

Appendix E: External Fan Maintenance and Replacement

The inverter has two fans: one is internal and the other is accessible from the outside of the inverter.

A fan replacement kit is available from SolarEdge.

Fan Maintenance

At least once a year, open the fan screen and clean the accumulated dust using a brush. If the SetApp Status screen displays the status **Not Working** for the fan, replace the fan as described in the next section.

External Fan Replacement

1. Turn OFF the inverter ON/OFF/P switch, and wait until the green LED is blinking, indicating that the DC voltage is safe (<50V), or wait five minutes before continuing to the next step.
2. Turn OFF the DC Safety Unit (if applicable).
3. Disconnect the AC to the inverter by turning OFF the circuit breakers on the distribution panel.
4. Use a standard screwdriver to unfasten the single screw of the fan cover and open the fan door.

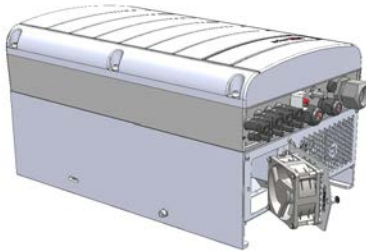


Figure 32: Fan door open

5. Disconnect the fan connector and remove the fan.

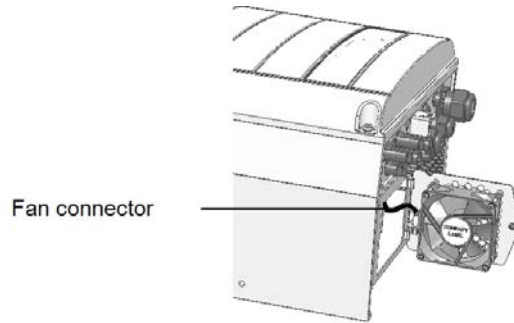


Figure 33: Fan connector

6. Connect the fan connector to the new fan.
7. Close the fan door and fasten the cover screws
8. After powering up the inverter, open SetApp and check that the Fan status is OK under **Commissioning** > **Status**.

Appendix F: Replacing and Adding System Components

This appendix includes replacement procedures for the SolarEdge system components. For inverter or DC Safety Unit replacement, typically only the part to be replaced is supplied (not both inverter and DC Safety Unit). In this case, the DC Safety Unit should be disconnected from the inverter as described herein.

NOTE

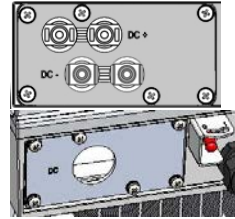


If you are permanently disassembling the installation or part of it, make sure to use the disposal methods dictated by local regulations.

CAUTION!



Do not remove the six screws on the DC metal panel as it may harm the inverter sealing and void the warranty.



Replacing an Inverter

1. Turn OFF the inverter ON/OFF/P switch, and wait until the green LED is blinking, indicating that the DC voltage is safe (<50V), or wait five minutes before continuing to the next step.
2. Disconnect the AC to the inverter by turning OFF the circuit breakers on the distribution panel.
3. Turn OFF the DC Safety Unit (if applicable).
4. Open the inverter cover as described in *Removing the Inverter Cover* on page 42.
5. Disconnect the DC plugs and AC wires from the inverter.
6. For inverters with a DC Safety Unit, unscrew the two conduit nuts in the inverter securing the DC Safety Unit to the inverter.

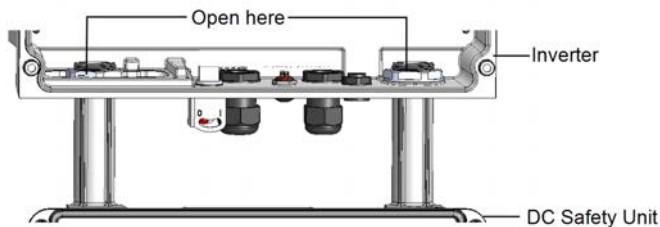


Figure 34: Conduit nuts

7. Remove the screws securing the inverter to the mounting bracket and remove the inverter from the mounting bracket.

**NOTE**

If you remove the old inverter and do not immediately install a new one, use insulation tape to isolate each of the AC and DC wires

8. Place the new inverter on the mounting bracket; insert the screws securing the inverter to the mounting bracket.
9. For inverters with a Connection Unit, screw the two conduit nuts in the inverter securing the DC Safety Unit to the inverter.
10. Connect all the wires to the inverter: Follow the instructions of *Installing the Inverter* on page 19 and *Activating, Commissioning and Configuring the System* on page 33.
11. Close the DC Safety Unit cover (if applicable) and the inverter cover.

Replacing the DC Safety Unit

Removing the DC Safety Unit

1. Turn OFF the inverter ON/OFF/P switch, and wait until the green LED is blinking, indicating that the DC voltage is safe (<50V), or wait five minutes before continuing to the next step.
2. Turn OFF the DC Safety Unit and the AC breaker of the distribution panel.
3. Open the inverter cover.
4. Disconnect the DC and AC wires from the inverter. If there are ferrite beads on the DC and AC wires in the inverter, open them and set aside.
5. Disconnect the RS485 connector from the inverter communication board.
6. Unscrew the two conduit nuts in the inverter securing the DC Safety Unit to the

inverter, as shown below:

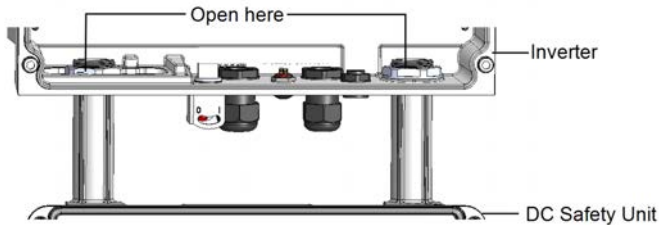


Figure 35: Disconnecting the conduits

7. Open the DC Safety Unit cover and disconnect the DC and AC wires. Unscrew the two conduit nuts securing the DC Safety Unit to the external conduits.
8. If the DC Safety Unit bracket is screwed to the wall, release it.
9. Carefully remove the DC Safety Unit with its mounting bracket from the wall.

Installing a New DC Safety Unit

1. Open the conduit drill guides of the new DC Safety Unit .
2. Position the new DC Safety Unit below the inverter and from the inside of the inverter grab the AC and DC wires extending from the switch conduits.
3. Attach the DC Safety Unit with its bracket to the wall and slightly close the screws. Do not over tighten.
4. Securely screw the two conduit nuts onto the conduit ends in the inverter. Verify proper conduit sealing.

Connecting the DC Safety Unit to the Inverter

1. If ferrite beads were removed from the DC and AC wires, place them on the wires and close them. Make sure the DC labeled ferrite bead is placed on the DC wires and the AC labeled ferrite bead is placed on the AC wires.
2. Connect the DC, as follows:
 - Connect the red wire to any of the DC+ terminals in the inverter.
 - Connect the black wire to any of the DC- terminals in the inverter.

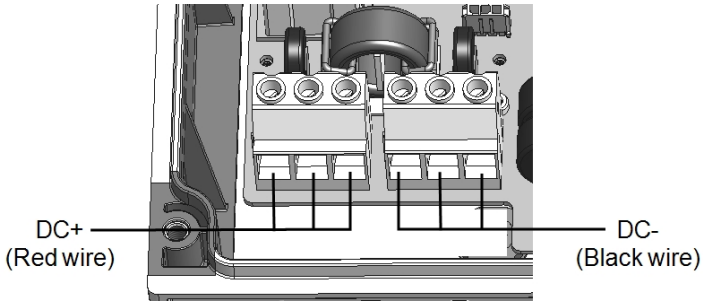


Figure 36: DC terminals

3. Connect the AC wires according to the labels on the AC terminal blocks, as follows:

Wire type	Connect to terminal
Line 1	L1
Line 2	L2
Line 3	L3
PE (grounding)	⊕
Neutral	N

Figure 37: AC terminals

4. Tighten the screws of each terminal with a torque of 1.2-1.5 N*m / 0.88-1.1 lb.*ft.
5. Verify that there are no unconnected wires at the output of the DC Safety Unit and that any unused terminal screws are tightened.
6. Connect the DC and AC wires to the DC Safety Unit. Refer to *Connecting the AC and the Strings to the Inverter* on page 28.
7. Ensure proper cable entry sealing; inspect the entire cable run and use standard sealants to avoid water penetration.

Adding, Removing, or Replacing Power Optimizers

1. Turn OFF the inverter ON/OFF/P switch, and wait until the green LED is blinking , indicating that the DC voltage is safe (<50V), or wait five minutes before continuing to the next step.
2. Disconnect the AC to the inverter by turning OFF the circuit breakers on the distribution panel.
3. Turn OFF the DC Safety Unit (if applicable).
4. Disconnect and connect the necessary power optimizers.
5. Perform pairing and other procedures described in *Activating, Commissioning and Configuring the System* on page 33 on all inverters to which power optimizers were added or from which power optimizers were removed.
6. In the monitoring platform, use the **Replace** button in the **logical layout** tab (in site Admin). Replace the serial number of the removed power optimizer with the serial number of the newly installed power optimizer. Refer to <https://www.solaredge.com/sites/default/files/se-monitoring-portal-site-admin.pdf>



Appendix G: Determining the Circuit Breaker Size

Size

Inverters should be protected by circuit breakers. This document describes how to determine which circuit breaker to use in three phase commercial installations.

Using Transformers in Commercial Three Phase Inverter Installations

Using transformers in a commercial installation is optional. In most cases a transformer is used to connect the installation to the medium voltage power grid. The following figure illustrates a typical transformer and commercial three phase inverter installation topology.

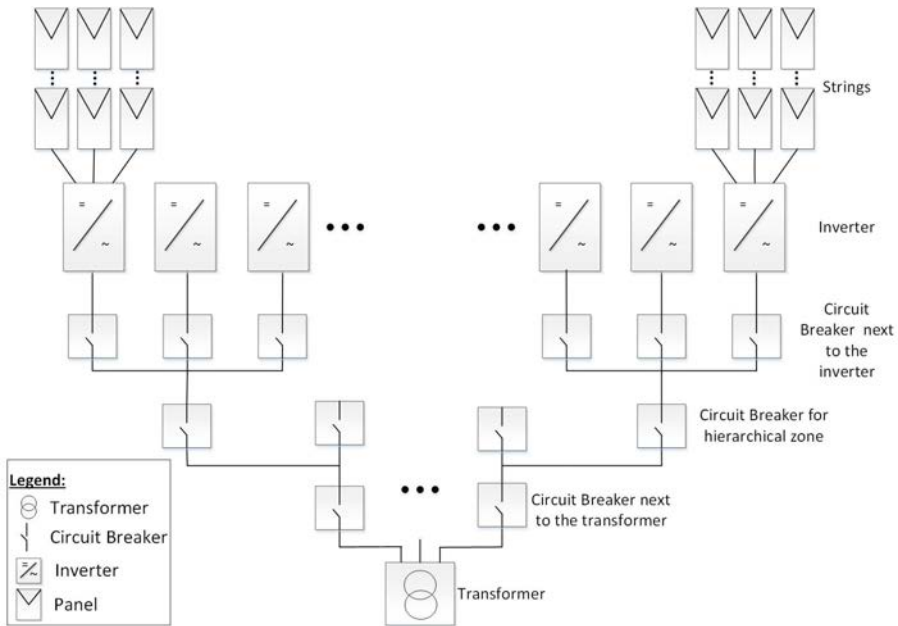


Figure 38: Typical transformer and commercial three phase inverter installation topology

There are many considerations for selecting the suitable transformer and its associated current limiting devices such as circuit breakers and fuses. The considerations must include at least the following:

- The transformer should be designed for a typical PV system production profile: high daytime loads with no loads at night.

- The current limiting devices should protect the electrical circuits and the inverters from the excess current created by an overload, or a short circuit. If a short circuit or other overcurrent occurs, the current limiting devices should block the current flow to the circuit, thus preventing damage to the electrical circuits and the inverters.

The circuit breakers and the fuses should comply with the transformer manufacturer recommendations and with the relevant sections in standards such as IEC 60909, IEC 60364, UL 508A and NEC 2017.

Some manufacturers provide detailed information about the transformer short circuit calculation procedure, and its effect on the selection of circuit breakers and fuses at the different hierarchical levels of the installation topology (see *Figure 38*). For an example of a calculation, refer to:

- [Guidelines on the Short Circuit Current Rating for Industrial Control Panels](#)
- [Short-circuit current rating \(SCCR\) of industrial control panels](#)
- To ensure that the circuit breaker and fuses trip as expected, follow their manufacturers' recommendations, especially with respect to the various de-rating considerations.

NOTE



Transformer procurement, installation, maintenance and support are the responsibility of the installer. Damage to the inverter due to incorrect transformer installation, or use of a transformer that is incompatible with the SolarEdge system will render the SolarEdge warranty invalid.

Determining the Size of an Inverter Circuit Breaker

This section explains how to determine the rate of a circuit breaker next to an inverter. For an example of an inverter with a circuit breaker next to it see *Figure 38*.

Ensure you have the following parameters before determining the circuit breaker size:

- The inverter's maximum continuous output current as appears in the datasheet.
- Factor for the installation's country. This factor is dictated by regulation, applicable standards or common practice and is usually 1.25.

→ To determine the size of an inverter circuit breaker:

1. Multiply the inverter's maximum continuous output current by the factor.
For example, $40\text{A} \times 1.25 = 50\text{A}$
2. Round up the rated size, as calculated in step 1, to the closest standard circuit breaker size. See Circuit Breaker Criteria table below for standard sizes suitable for SolarEdge three phase inverters.

**NOTE**

If the result has a decimal fraction smaller than 0.5 round it down.

3. To ensure that the selected circuit breaker trips as expected, at minimum consider the following:
 - The circuit breaker rated voltage.
 - Temperature de-rating due to both close proximity of other circuit breakers and the effect of ambient temperature on the distribution board.
 - De-rating due to permanent load.

If the de-rated current of the selected circuit breaker is lower than the maximum output current of the inverter, consider selecting a circuit breaker that is designed for a higher rated current, or reducing the temperature de-rating effect by increasing the distance between adjacent circuit breakers.

NOTE

- Make sure to select cables that are suitable for the environmental conditions, the operating voltage and the selected circuit breaker.
- Three or four pole circuit breakers are required. It is recommended to use a four pole circuit breaker when applicable.
- Only use a circuit breaker with tripping characteristic B or C.

Table 1: Circuit Breaker Criteria

Europe 380/400 L-L

Inverter	Max. Continuous Output Current (per Phase)	Recommended Circuit Breaker
Three Phase Inverter		
SE25K	38A	50A
SE27.6K	40A	50A
SE30K	43.5A	63A
SE33.3K	48.25A	63A
Three Phase Inverter with Synergy Technology		
SE50K	76A	100A
SE55.5K	80A	100A
SE75K	120A	150A
SE82.8K	120A	150A

Europe 480 L-L

Inverter	Max. Continuous Output Current (per Phase)	Recommended Circuit Breaker
Three Phase Inverter		
SE33.3K	40A	50A
SE40K	48.25A	63A

Inverter	Max. Continuous Output Current (per Phase)	Recommended Circuit Breaker
Three Phase Inverter with Synergy Technology		
SE66.6K	80A	100A
SE100K	120A	150A

Technical Specifications - Three Phase Inverters (Europe)

SE25K - SE33.3K⁽¹⁾

	SE25K	SE27.6K	SE33.3K	Unit
Output				
Rated AC power output	25000 ⁽²⁾	27600	33300	VA
Maximum AC power output	25000 ⁶	27600	33300	VA
AC Output Line Connections	3 phase, 4-wire / PE (L1-L2-L3-N), TN, TT			
AC output voltage – line to line / line to neutral (nominal)	380/ 220; 400/ 230		480/277	Vac
AC output voltage range	184 – 264.5		244-305	Vac
AC frequency	50/60 ± 5			Hz
Maximum continuous output current (per phase)	38	40	40 @277V	A
Maximum continuous overcurrent protection	38	40	40	A
Residual current detector / Residual Current step detector	300 / 30			mA
Grid supported – three phase	3 / N / PE (WYE with Neutral)			V
Inrush current AC (Peak/ Duration)	3/ 20	3.1/ 20	4.2/ 20	Aac(rms) / ms
Maximum output fault current	88	92	92	A

⁽¹⁾The SE33.3K model requires a medium voltage transformer.

⁽²⁾24.99kVA in the UK

	SE25K	SE27.6K	SE33.3K	Unit
Power factor range	1 (adjustable from -0.8 to +0.8) ⁽¹⁾			
Total harmonic distortion	< 3%			
Protective class	Class I			
Utility monitoring, islanding protection, configurable Power Factor, country configurable thresholds	Yes			
Overvoltage category	III			
Anti Islanding Method ⁽²⁾	Slip Mode Frequency Shift			
Input				
Maximum DC power (Module STC)	33750	37250	45000	W
Transformer-less, ungrounded	Yes			
Maximum input voltage	900		1000	Vdc
Nominal DC input voltage	750		840	Vdc
Maximum input current	37	40	40	Adc
Maximum back-feed current	0			Adc
Reverse-polarity protection	Yes			
Ground-fault isolation detection	350 k Ω Sensitivity ⁽³⁾			
Overvoltage category	III			

(1) For SE27.6K - when set to Germany Power Factor is limited to 0.9.

(2) For Australia

(3) Where permitted by local regulations

	SE25K	SE27.6K	SE33.3K	Unit
Maximum inverter efficiency	98.3		98.1	%
European weighted efficiency	98			%
Night-time power consumption	< 4			W
Additional Features				
Supported communication interfaces	RS485, Ethernet, Cellular (Optional)			
Inverter commissioning	With the SetApp mobile application using built-in Wi-Fi access point for local connection			
RS485 Surge Protection	Supplied with the inverter			
Smart Energy Management	Export Limitation			
Arc Fault Protection	Integrated, user configurable (according to UL1699B)			
Rapid Shutdown	Optional ⁽¹⁾ (Automatic upon AC grid disconnect)			
Inverter Topology ⁽²⁾	Non-Isolated Photovoltaic Inverter			
RS485 Surge Protection	Optional ⁽³⁾			
DC Safety Unit (optional)				
2-pole Disconnection	1000V / 40A			
DC Surge Protection	Type II, field replaceable			
DC Fuses on Plus & Minus	Optional, 20A			

(1) Inverter with rapid shutdown part number: SExxK-RWROOBNN2; available for SE25K and SE27.6K

(2) For Australia

(3) Provided with the inverter in India only. For other countries an SPD plug-in can be purchased. Refer to: https://www.solaredge.com/sites/default/files/se_spd_plug_in_for_rs485_3ph_setapp_ds.pdf

	SE25K	SE27.6K	SE33.3K	Unit
Compliance	UTE-C15-712-1			
Standard Compliance				
Safety	IEC-62103 (EN50178), IEC-62109, AS3100			
Grid connection standards ⁽¹⁾	VDE-AR-N-4105, G59/3, AS-4777, EN 50438, VDE 0126-1-1, CEI-021, BDEW, CEI-016 ⁽²⁾ ;			
Emissions	IEC61000-6-2, IEC61000-6-3, IEC61000-3-11, IEC61000-3-12			
WEEE, RoHS	Yes			
Installation Specifications				
AC output / Gland Diameter / Wire Cross Section	18-25mm / Solid wire 2.5-16 mm ² , Stranded wire 2.5-10 mm ²			
DC input ⁽³⁾	3 MC4 pairs			
DC input with DC Safety Unit	Gland diameter 5-10 mm Wire cross section 0.5 - 13.5 mm ²			
Dimensions (HxWxD)	540 x 315 x 260			mm
Dimensions with Safety Unit (HxWxD)	775 x 315 x 260			mm
Weight	45			kg
Weight with Safety Unit	48			kg

⁽¹⁾For all standards refer to the Certifications category in <http://www.solaredge.com/groups/support/downloads>.

⁽²⁾Models SE25K, SE27.6K and SE33.3K only

⁽³⁾Connection of additional strings in parallel to a single input is allowed as long as the cumulative current does not exceed 45A.

	SE25K	SE27.6K	SE33.3K	Unit
Operating temperature range ⁽¹⁾	-40 - +60			°C
Operating humidity – non condensing	< 95			%
Cooling	Fan (user replaceable)			
Noise (typical)	< 55			dBA
Protection rating/ Environmental category	IP65 Outdoor and indoor			
Maximum altitude	2000			m
Pollution degree classification (inside/ outside)	2/3			
Bracket mounted (bracket provided)				

⁽¹⁾For inverter power de-rating information, refer to the application note at the following link: <http://www.solaredge.com/files/pdfs/se-temperature-derating-note.pdf>

Support Contact Information

If you have technical problems concerning SolarEdge products, please contact us:



<https://www.solaredge.com/service/support>

Before contact, make sure to have the following information at hand:

- Model and serial number of the product in question.
- The error indicated on the product SetApp mobile application or on the monitoring platform or by the LEDs, if there is such an indication.
- System configuration information, including the type and number of modules connected and the number and length of strings.
- The communication method to the SolarEdge server, if the site is connected.
- The product's software version as it appears in the status screen.

solaredge