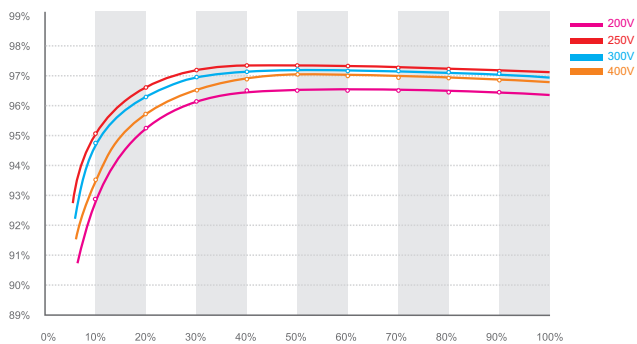


Leading - edge Technology

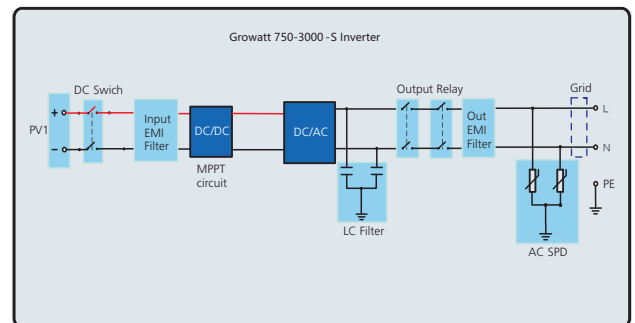
- ▶ Maximum efficiency of 97.6% and wide input voltage range
- ▶ Internal DC switch
- ▶ Transformerless GT topology
- ▶ Compact design
- ▶ Ethernet / RF technology / Wi-Fi
- ▶ Sound control
- ▶ Easy installation
- ▶ Comprehensive Growatt warranty program



Growatt 1500-S efficiency



Growatt 750-3000 -S topology



Datasheet	Growatt 750-S *	Growatt 1000-S	Growatt 1500-S	Growatt 2000-S	Growatt 2500-S*	Growatt 3000-S
Input data (DC)						
Max. recommended PV power (for module STC)	970W	1300W	1950W	2600W	3250W	3900W
Max. DC voltage	450V	450V	450V	450V	500V	550V
Start voltage	50V	80V	80V	80V	80V	80V
PV voltage range	50V-450V	70V-450V	70V-450V	70V-450V	70V-500V	70V-550V
MPP work voltage range/ nominal voltage	55V-450V/120V	70V-450V/180V	70V-450V/250V	70V-450V/360V	70V-500V/360V	70V-550V/360V
Full load dc voltage range	80V-400V	110V-400V	175V-400V	200V-400V	250V-450V	250V-500V
Max. input current	10A	10A	10A	11A	12A	13A
Max. input current per string	10A	10A	10A	11A	12A	13A
Number of independent MPP trackers /strings per MPP tracker	1/1	1/1	1/1	1/1	1/1	1/1
Output (AC)						
Rated AC output power	750W	1000W	1600W	2000W	2500W	3000W
Max. AC power	750W	1000W	1650W	2000W	2500W	3000W
Max. output current	3.3A	4.7A	7.8A	9.5A	11.9A	14.3A
AC nominal voltage	220V/230V/240V	220V/230V/240V	220V/230V/240V	220V/230V/240V	220V/230V/240V	220V/230V/240V
AC grid frequency; range	50Hz/60Hz	50Hz/60Hz	50Hz/60Hz	50Hz/60Hz	50Hz/60Hz	50Hz/60Hz
Adjustable power factor	0.8leading...0.8lagging	0.8leading...0.8lagging	0.8leading...0.8lagging	0.8leading...0.8lagging	0.8leading...0.8lagging	0.8leading...0.8lagging
THDI	<3%	<3%	<3%	<3%	<3%	<3%
AC connection	Single phase	Single phase	Single phase	Single phase	Single phase	Single phase
Efficiency						
Max. efficiency	97.2%	97.4%	97.4%	97.4%	97.6%	97.6%
Euro weighted efficiency	96%	96.5%	97%	97%	97.3%	97.3%
MPPT efficiency	99.5%	99.5%	99.5%	99.5%	99.5%	99.5%
Protection Devices						
DC reverse polarity protection	yes	yes	yes	yes	yes	yes
DC switch	yes	yes	yes	yes	yes	yes
Output over current protection	yes	yes	yes	yes	yes	yes
Output over voltage protection -varistor	yes	yes	yes	yes	yes	yes
Ground fault monitoring	yes	yes	yes	yes	yes	yes
Grid monitoring	yes	yes	yes	yes	yes	yes
Integrated all - pole sensitive leakage current monitoring unit	yes	yes	yes	yes	yes	yes
General Data						
Dimensions (W / H / D) in mm	271*299*141	271*299*141	271*299*141	271*299*141	271*359*141	271*359*141
Weight	6.4KG	6.4KG	6.4KG	6.4KG	9.1KG	9.1KG
Operating temperature range	- 25°C ... +60°C	- 25°C ... +60°C	- 25°C ... +60°C	- 25°C ... +60°C	- 25°C ... +60°C	- 25°C ... +60°C
Noise emission (typical)	≤25 dB(A)	≤25 dB(A)	≤25 dB(A)	≤25 dB(A)	≤25 dB(A)	≤25 dB(A)
Self-Consumption night	<0.5 W	<0.5 W	<0.5 W	<0.5 W	<0.5 W	<0.5 W
Topology	Transformerless	Transformerless	Transformerless	Transformerless	Transformerless	Transformerless
Cooling concept	Natural	Natural	Natural	Natural	Natural	Natural
Environmental Protection Rating	IP65	IP65	IP65	IP65	IP65	IP65
Altitude	2000m without derating	2000m without derating	2000m without derating	2000m without derating	2000m without derating	2000m without derating
Relative humidity	100%	100%	100%	100%	100%	100%
Features						
DC connection	H4/MC4(opt)	H4/MC4(opt)	H4/MC4(opt)	H4/MC4(opt)	H4/MC4(opt)	H4/MC4(opt)
AC connection	Connector	Connector	Connector	Connector	Connector	Connector
Display	LCD	LCD	LCD	LCD	LCD	LCD
Interfaces: RS232/RF/Wi-Fi/LAN/GPRS	yes/opt/opt/opt/opt	yes/opt/opt/opt/opt	yes/opt/opt/opt/opt	yes/opt/opt/opt/opt	yes/opt/opt/opt/opt	yes/opt/opt/opt/opt
Warranty: 5 years / 10 years	yes/opt	yes/opt	yes/opt	yes/opt	yes/opt	yes/opt

Certificates and Approvals

CE, VDE 0126-1-1, IEC 62109, G83, AS4777, AS/NZS 3100, CEI0-21, VDE-AR-N4105, EN50438, CQC, UTE C 15-712, IEC 61683, IEC 60068, IEC 61727, IEC 62116, INMETRO